

ARCHITECTURAL LIGHTING



 Zambelis
LIGHTS



SVĚTELNÉ STUDIO

Náměstí Na Sádkách 705
252 41 Dolní Břežany (Praha západ)

Telefon: +420 246 083 152

Mobil.: +420 702 061 783

E-mail: studio@aulix.cz

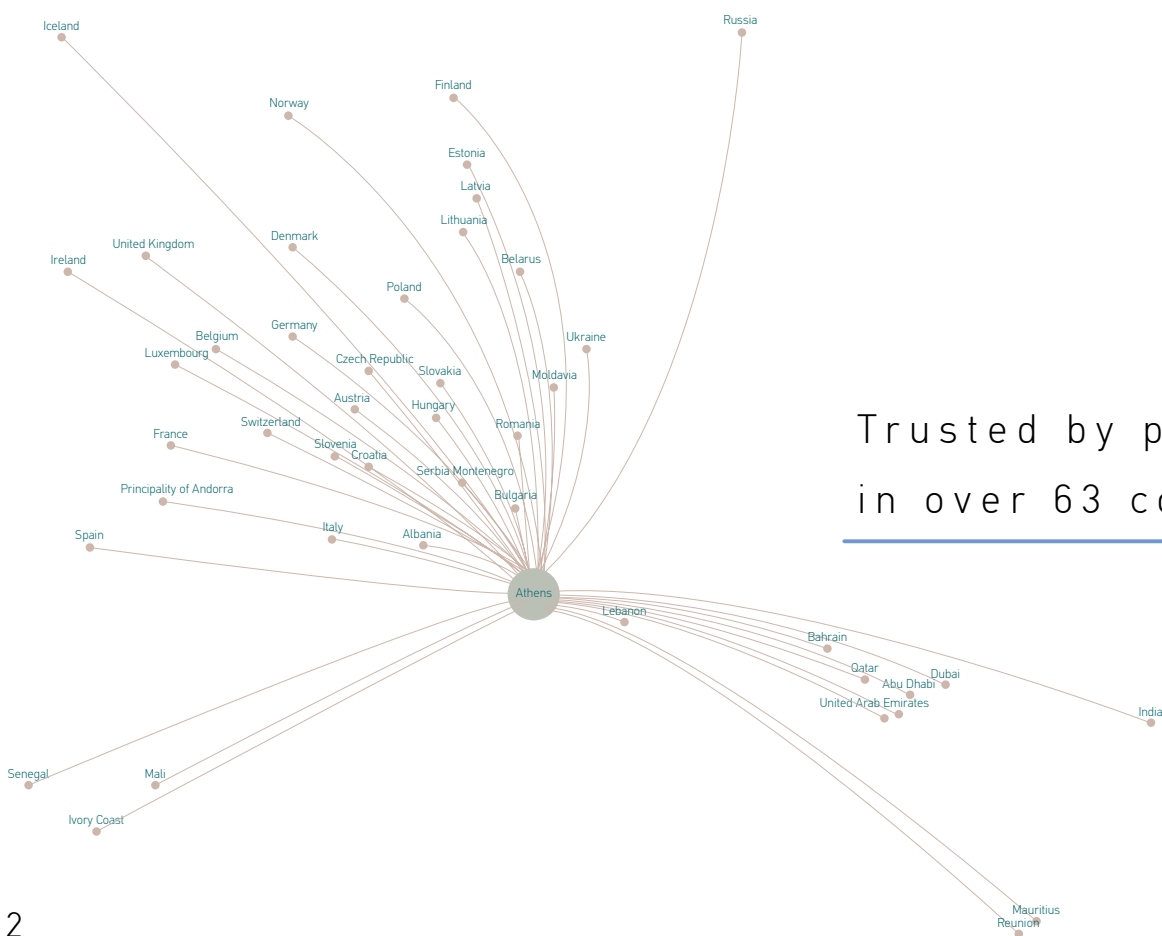
Web: www.aulix.cz

Sledujte nás také na sociálních sítích:



Connect to our B2B platform through our website and access everything you need, anytime - 24/7

-  B2B Online Order/Open Orders
-  Product Availability & Arrival Dates
-  Extensive Range of Products
-  HD Photos
-  Product Data Sheets
-  Installation Manuals
-  Flexibility & Customized Products
-  Manufacturing Products
-  Photometric Files
-  CE Certificates
-  COC Certificates
-  3D Models / 3D Viewer on Website



SUSTAINABILITY

Lighting the Future Responsibly.

We design lighting solutions that combine efficiency, durability and innovation - with minimal footprint and maximum purpose.

For us, green isn't just a color. It's a mindset shaping everything we create.



Scan to learn how we go green.



TABLE OF CONTENTS

- 01. 48V MAGNETIC TRACK SYSTEM 5MM | p.014-039
- 02. 48V MAGNETIC TRACK SYSTEM 3MM | p.040-057
- 03. 24V MAGNETIC TRACK SYSTEM 6MM | p.058-079
- 04. 48V ULTRA SLIM MAGNETIC SYSTEM 15MM | p.080-097
- 05. 24V MINI SURFACE MAGNETIC SYSTEM 11MM | p.098-107
- 06. 48V LINEAR MAGNETIC SYSTEM | p.108-145
- 07. 48V ROUNDED RECTANGLE MAGNETIC SYSTEM | p.146-161
- 08. 48V CIRCLES-CURVED MAGNETIC SYSTEM | p.162-179
- 09. 48V SPACE FRAME MAGNETIC SYSTEM | p.180-191
- 10. 24V FLEXIBLE CURVED SYSTEM | p.192-201
- 11. 24V PLUG & PLAY SYSTEM | p.202-209
- 12. CEILING-PENDANT-TRIMLESS CIRCLES | p.210-227
- 13. LINEARS | p.228-247
- 14. 3-PHASE TRACKS & LIGHTS | p.248-267
- 15. DOWNLIGHT RECESSED & TRIMLESS LED SPOTS | p.268-333
- 16. DOWNLIGHT RECESSED & TRIMLESS SPOTS GU10 | p.334-351
- 17. GYPSUM | p.352-367
- 18. CEILING SPOTS | p.368-409
- 19. ALUMINIUM PROFILES & LED STRIPS | p.410-477
- 20. COINS-DRIVERS & SENSORS | p.478-489



2506 p.18 2503 p.22 25162 p.23 2522 p.26 2524 p.29 2525 p.30 2529 p.33



23115 p.92 23117 p.93 23116 p.93 23126 p.96 22262 p.102 22251 p.105 22252 p.105



2527 p.34 2531 p.34 2530 p.36 2528 p.37 25130 p.44 25127 p.48 25118 p.48



22253 p.105 22256 p.107 2084G-3 p.112 2082NCK-3 p.113 2083B-3 p.116 2082W-3 p.117 2084B-3 p.118



25115 p.51 25117 p.51 25120 p.52 25121 p.52 25123 p.55 25125 p.56 25124 p.56



2085W-3 p.119 25354 p.122 25357 p.122 25352 p.124 25473 p.124 25476 p.125 2087 p.126



25126 p.56 25223 p.62 25231 p.63 25430 p.66 25433 p.66 25246 p.66 25255 p.69



2091 p.129 20291 p.129 2094 p.130 2092-D p.130 20180 p.132 20178 p.132 20400-BD p.133



25254 p.72 25251 p.72 25243 p.74 25240 p.74 25258 p.77 25249 p.77 25260 p.78



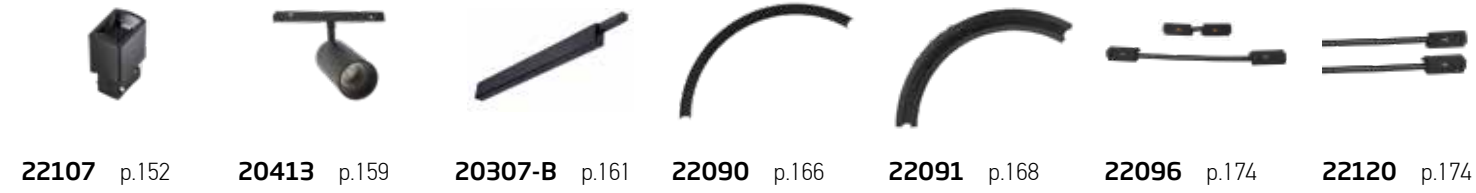
2095-D p.134 2081-D p.134 20291-W p.137 2091-3W p.137 2089-4W p.138 20414 p.139 22273B-3 p.148



23123 p.84 23120 p.85 23124 p.88 23110 p.90 23112 p.90 23113 p.90 23114 p.92



22121 p.148 22275 p.148 22274B-3 p.150 22276 p.150 22099 p.152 22101 p.152 22100 p.152



22107 p.152 20413 p.159 20307-B p.161 22090 p.166 22091 p.168 22096 p.174 22120 p.174



22270 p.176 22271 p.176 22272 p.176 23152 p.186 23149 p.187 23150 p.187 23148 p.187



23154 p.187 23145 p.188 23153 p.188 23296 p.189 23142 p.189 23139 p.189 23178 p.196



23182 p.198 23183 p.198 23185 p.199 23186 p.200 23187 p.200 19152 p.204 19172 p.204



19166 p.204 19155 p.207 20140 p.207 19168 p.208 25198 p.212 25204 p.213 25199 p.214



25205 p.215 25201 p.216 25207 p.218 25210 p.220 25211 p.222 25214 p.223 81063B p.226



5158D p.232 53580 p.236 31580 p.240 33580 p.244 19401 p.250 19406 p.250 19403-R p.250



19430 p.251 19413 p.251 19414 p.251 S240 p.252 S244 p.254 S237 p.256 S235 p.257



S197 p.259 S203 p.259 S065- p.260 S114 p.263 S059 p.264 S221 p.267 S038 p.267



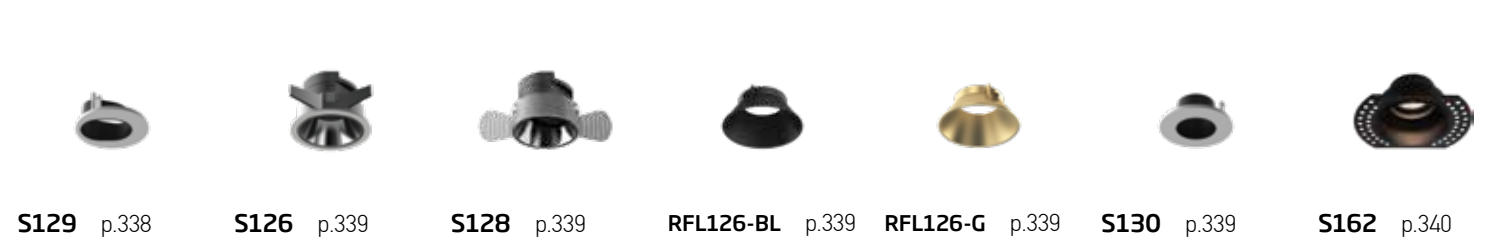
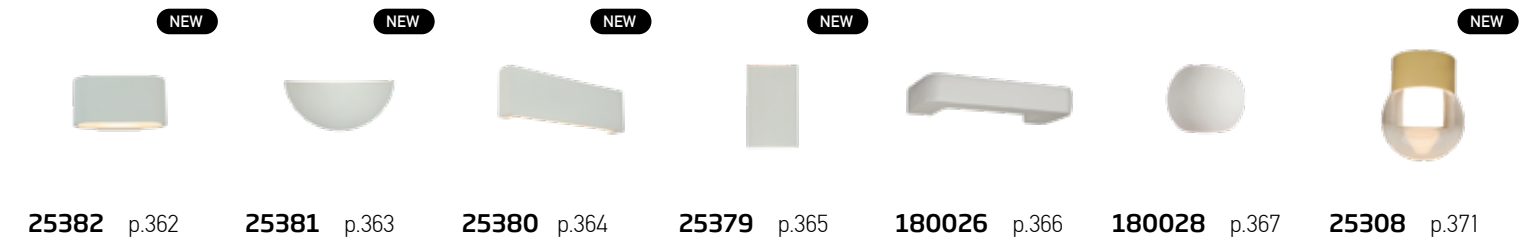
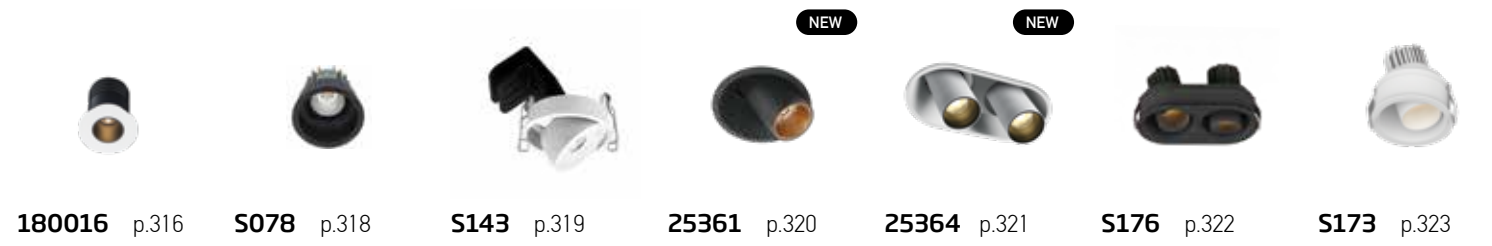
S338 p.271 S351 p.275 S346 p.276 S349 p.277 S337 p.279 25285 p.281 25290 p.281

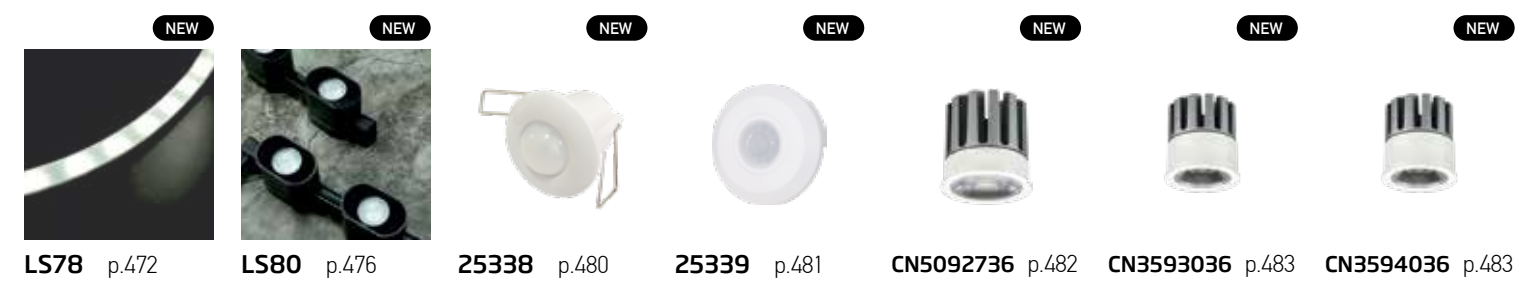
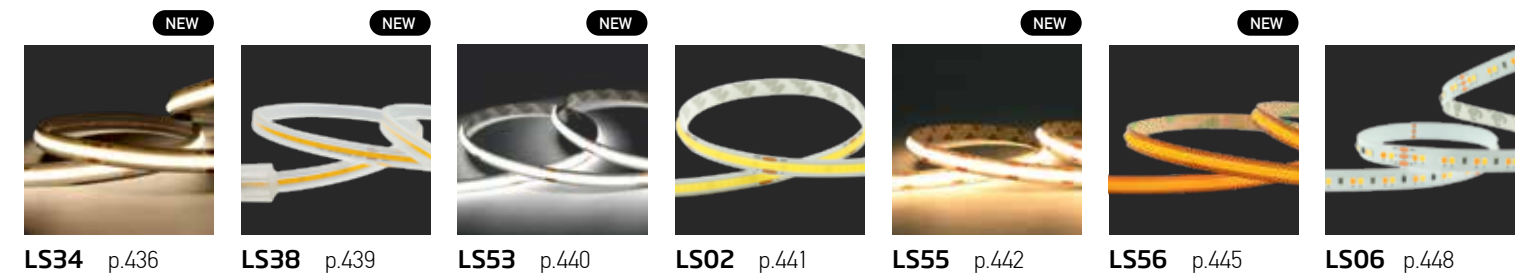
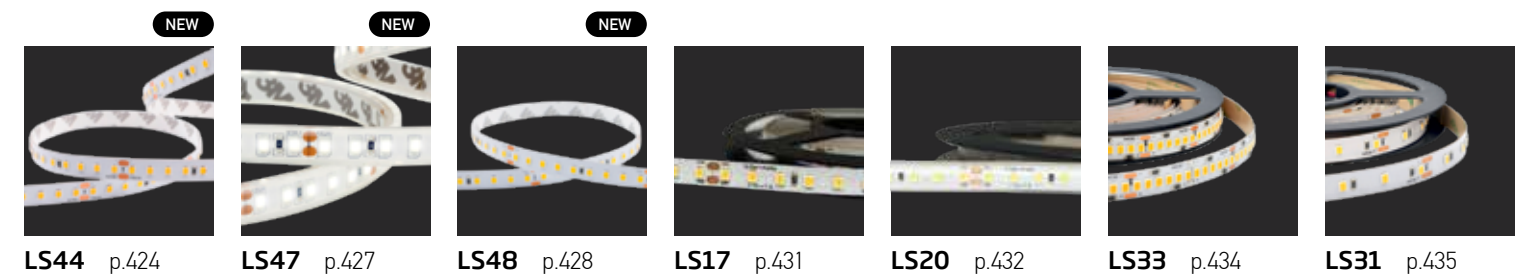
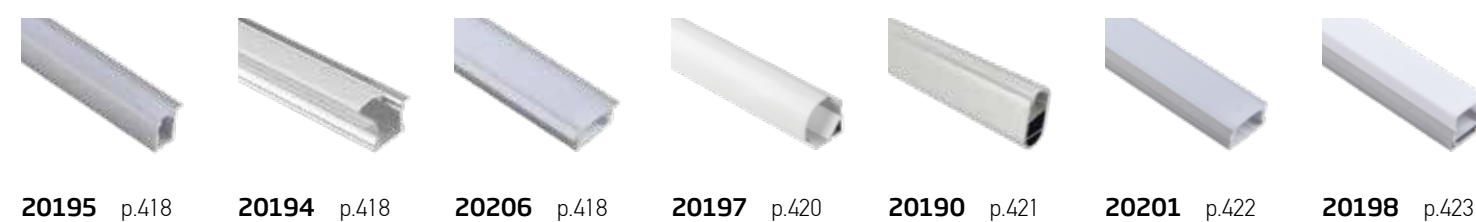
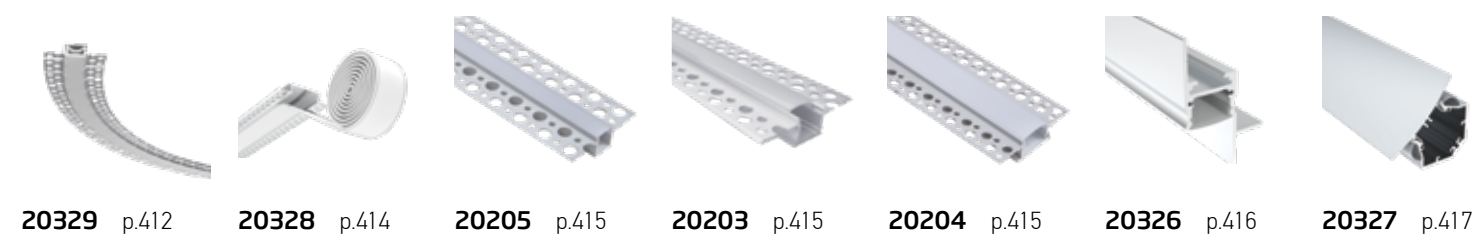


25400 p.285 25403 p.285 25405 p.287 25406 p.287 25407 p.287 S342 p.289 RFLNS342 p.289



DFG342 p.291 DAW342 p.291 RRB342 p.291 TRML342 p.291 S204 p.297 S210 p.299 S213 p.299





01. 48V MAGNETIC TRACK SYSTEM 5MM

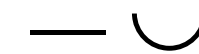


SYSTEM REFERENCE



TRACK FORM

Linear | Curved



INSTALLATION

Surface | Pendant | Trimless



TRACK COLOR

Black Matt | White Matt



FIXTURE COLOR

Black Matt | White Matt



T/S: 2508 Feeder

T/S: 2508 Feeder

REFERENCE CODE | TRIMLESS & SURFACE INSTALLATION

T: TRIMLESS
S: SURFACE

T: 2521 Cross Connector
S: 2515 Cross Connector
T/S: 2x 2510 Flex Connector

T/S: 2509 Straight Connector
S: 25483 Straight Mechanic Connector

T: 2518 Inner Corner
S: 2512 Inner Corner
T/S: 2510 Flex Connector

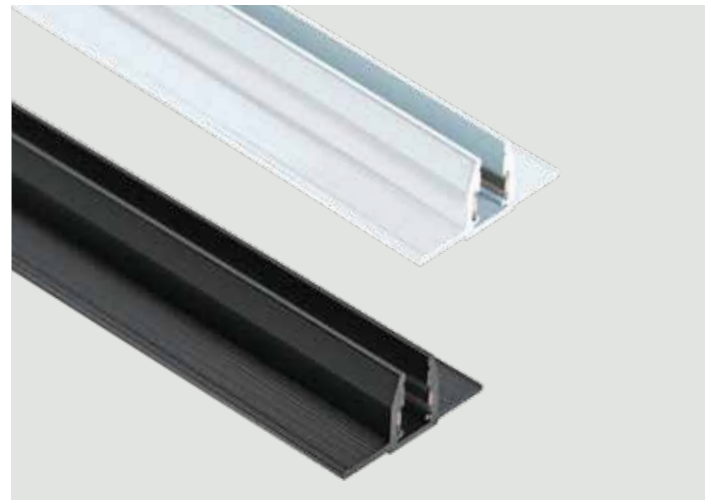
T: 2517 Horizontal Corner
S: 2511 Horizontal Corner
T/S: 2510 Flex Connector

T: 2520 "T" Connector
S: 2514 "T" Connector
T/S: 2509-3D "T" Flex Connector

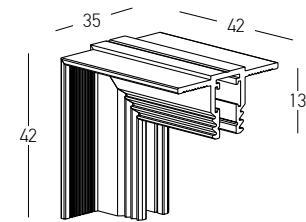
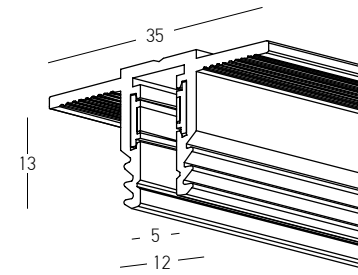
S: 2530 Feeder for Flexible LED Strip

S: 25162 Curved Track

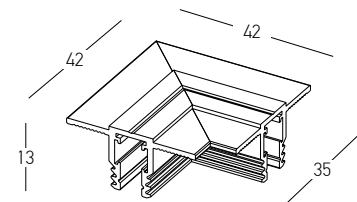
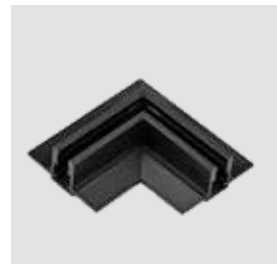
TRIMLESS TRACK 5MM



Track Code	Length	Color
2504	1m	Black Matt
2504-W	1m	White Matt
2505	2m	Black Matt
2505-W	2m	White Matt
2506	3m	Black Matt
2506-W	3m	White Matt



INNER CORNER 90°
(2518) VERTICAL



CORNER 90°
(2517) HORIZONTAL

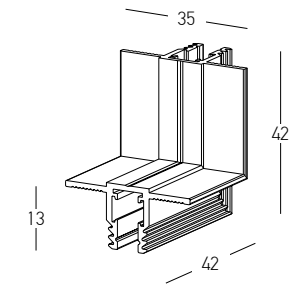
Corner Code	Installation	Color
2518	Vertical	Black Matt
2518-W	Vertical	White Matt
2517	Horizontal	Black Matt
2517-W	Horizontal	White Matt

Notice : For corner it is also required to order 2510, 2510-W

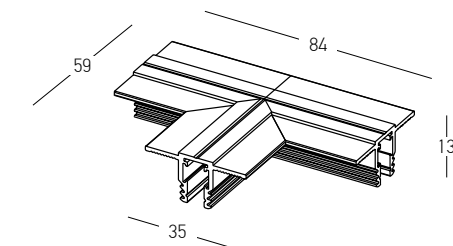
OUTER CORNER - "T" CONNECTOR - CROSS CONNECTOR FOR TRIMLESS TRACK 5MM



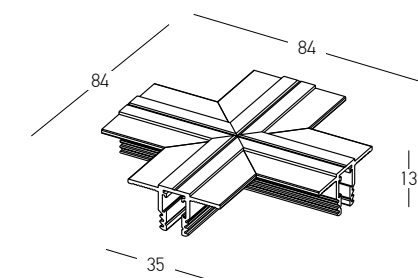
OUTER CORNER 90°
(2519) VERTICAL



T CONNECTOR
(2520)



CROSS CONNECTOR
(2521)

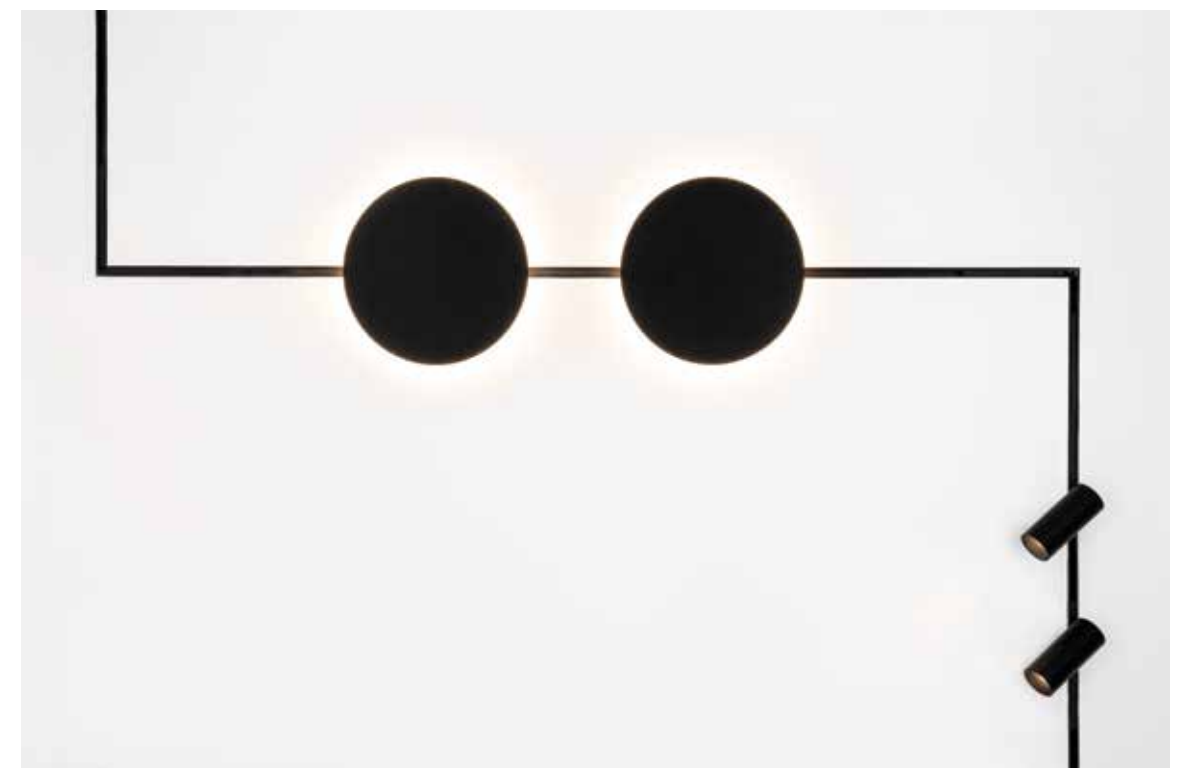


Code	Type	Color
2519	Vertical	Black Matt
2520	T-Connector	Black Matt
2521	Cross Connector	Black Matt

ACCESSORIES FOR TRIMLESS TRACK 5MM



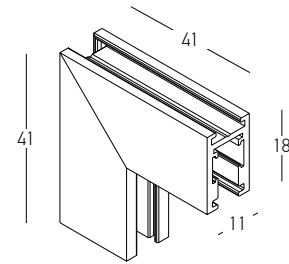
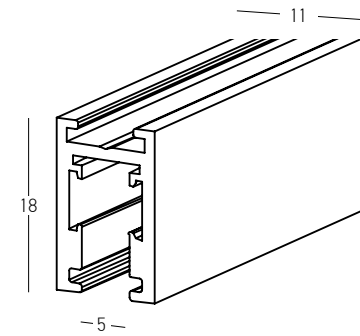
End Cap
Material Plastic
Color Black Matt / Code 2507
Color White Matt / Code 2507-W



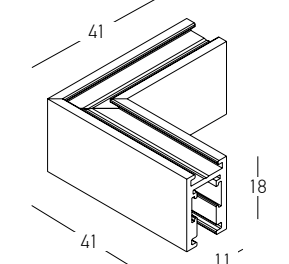
SURFACE | PENDANT TRACK 5MM



Track Code	Length	Color
2501	1m	Black Matt
2501-W	1m	White Matt
2502	2m	Black Matt
2502-W	2m	White Matt
2503	3m	Black Matt
2503-W	3m	White Matt



INNER CORNER 90°
(2512) VERTICAL



CORNER 90°
(2511) HORIZONTAL

Corner Code	Installation	Color
2512	Vertical	Black Matt
2512-W	Vertical	White Matt
2511	Horizontal	Black Matt
2511-W	Horizontal	White Matt

Notice : For corner it is also required to order 2510, 2510-W
Notice : Straight Mechanic Connector Included

OUTER CORNER - "T" CONNECTOR - CROSS CONNECTOR FOR SURFACE | PENDANT TRACK 5MM



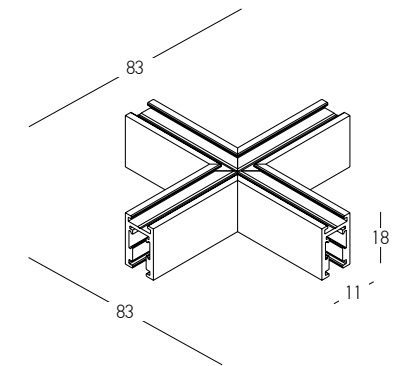
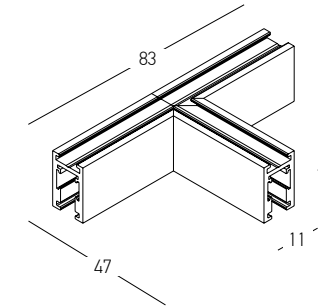
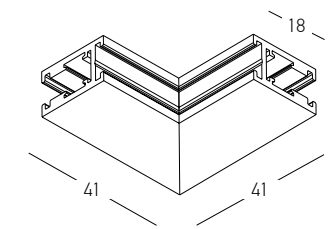
OUTER CORNER 90°
(2513) VERTICAL



T CONNECTOR
(2514)

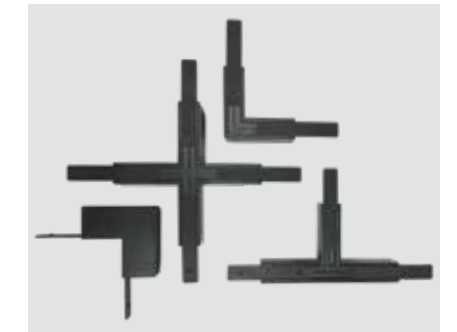


CROSS CONNECTOR
(2515)

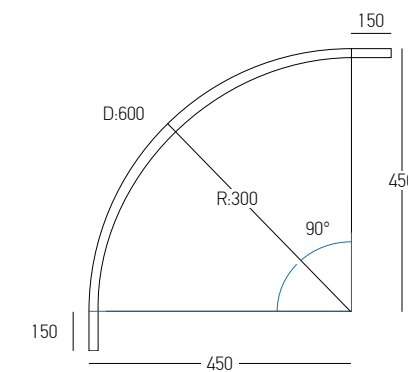
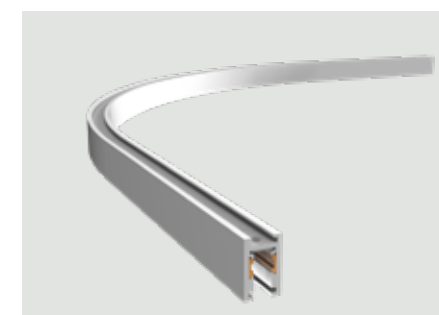


Code	Type	Color
2513	Vertical	Black Matt
2514	T-Connector	Black Matt
2515	Cross Connector	Black Matt

Notice : For corner it is also required to order 2510
Notice : For "T" connector it is also required to order 2509-3D
Notice : Straight Mechanic Connector Included



SURFACE | PENDANT CURVED TRACK 5MM

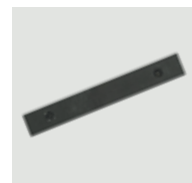


Dimensions Ø: 600mm
L: 521mm
Material Aluminium
Color Black Matt / Code 25162
Color White Matt / Code 25166

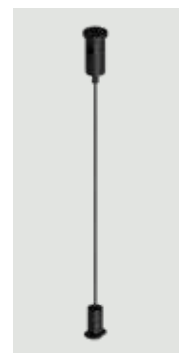
ACCESSORIES FOR SURFACE | PENDANT TRACK 5MM



End Cap
Material Plastic
Color Black Matt / Code 2507
Color White Matt / Code 2507-W



Straight Mechanic Connector
Material Metal
Color Black Matt / Code 25483

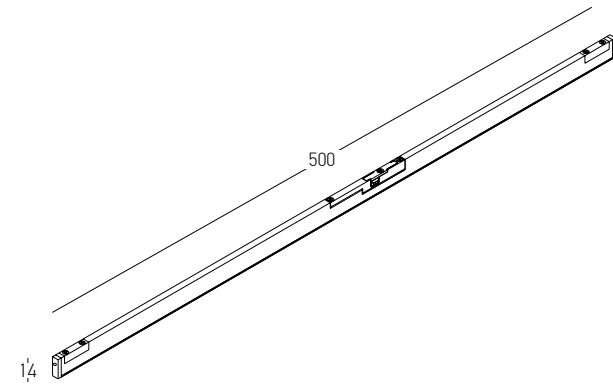


Suspension Kit (2pcs)
Material Metal
Color Black Matt-Black Wire 2000mm / Code 2516
Color White Matt-Wire 2000mm / Code 2516-W

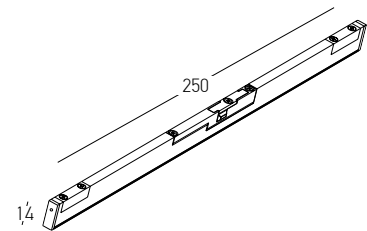
REFERENCE CODE | PENDANT INSTALLATION

P: PENDANT



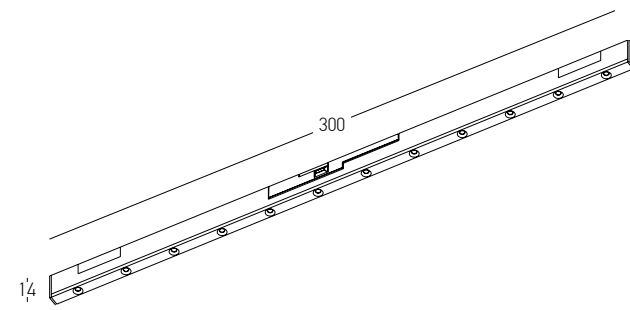
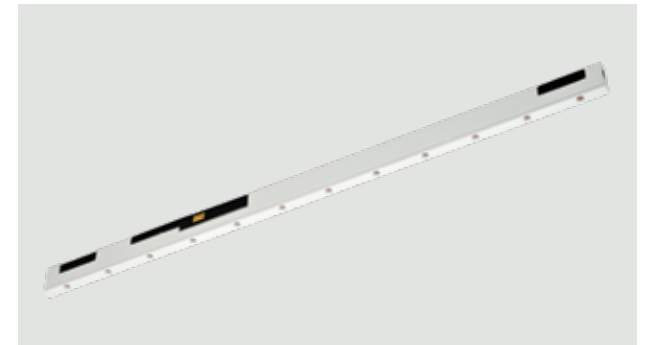


Power 8W
 Input 48V
 Color Temperature 3000K
 Lumen 502Lm
 Cri 90
 Dimensions L: 500mm W: 4mm H: 14mm
 Beam Angle 100°
 DALI Dimmable ☉
 Material Aluminium - PC Diffuser
 Special Feature Aluminium Adapter
 Color Black Matt / **Code 2523**
 Color White Matt / **Code 2523-W**

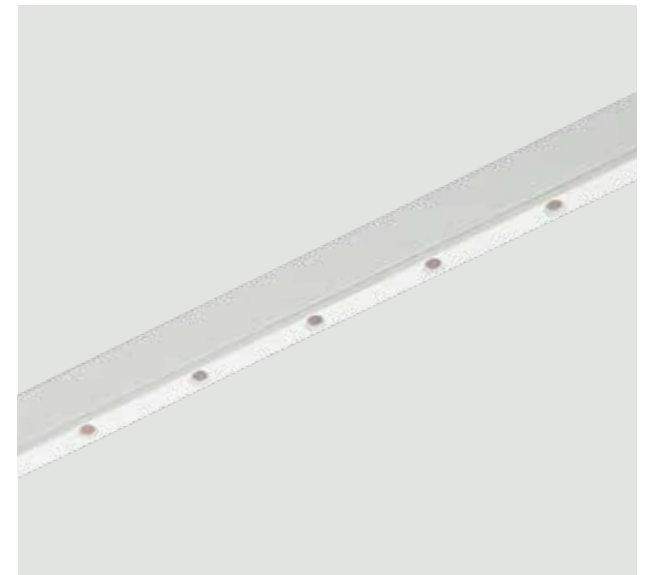


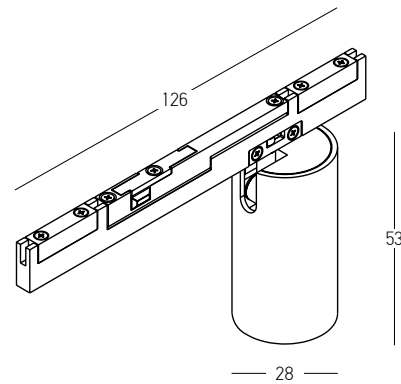
Power 4W
 Input 48V
 Color Temperature 3000K
 Lumen 249Lm
 Cri 90
 Dimensions L: 250mm W: 4mm H: 14mm
 Beam Angle 100°
 DALI Dimmable ☉
 Material Aluminium - PC Diffuser
 Special Feature Aluminium Adapter
 Color Black Matt / **Code 2522**



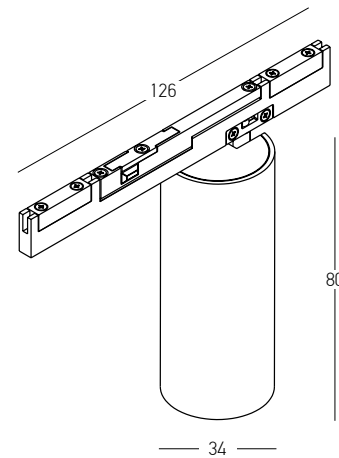


Power	7W
Input	48V
Color Temperature	3000K
Lumen	379Lm
Cri	90
Dimensions	L: 300mm W: 4mm H: 14mm
Beam Angle	80°
DALI Dimmable	☉
Material	Aluminium
Special Feature	Aluminium Adapter
Color	Black Matt / Code 2524
Color	White Matt / Code 2524-W



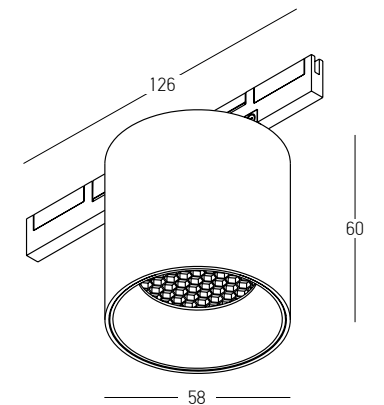


Power 7W
 Input 48V
 Color Temperature 3000K
 Lumen 339Lm
 Cri 90
 Dimensions Ø: 28mm H: 53mm
 Beam Angle 36°
 DALI Dimmable ☉
 Material Aluminium
 Special Feature Aluminium Adapter
 Color Black Matt / **Code 2525**
 Color White Matt / **Code 2525-W**

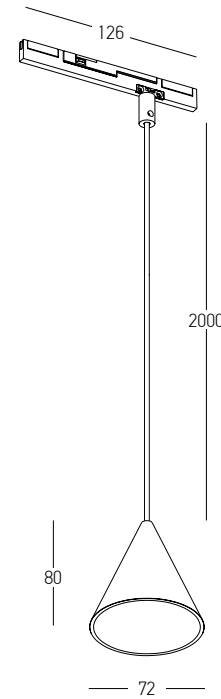


Power 10W
 Input 48V
 Color Temperature 3000K
 Lumen 587Lm
 Cri 90
 Dimensions Ø: 34mm H: 80mm
 Beam Angle 36°
 DALI Dimmable ☉
 Material Aluminium
 Special Feature Aluminium Adapter
 Color Black Matt / **Code 2526**

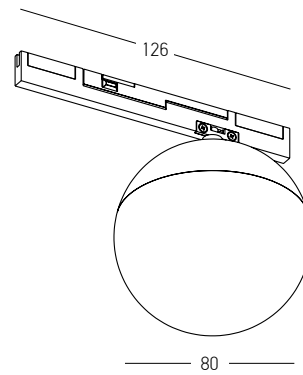




Power	7W
Input	48V
Color Temperature	3000K
Lumen	366Lm
Cri	90
Dimensions	Ø: 58mm H: 60mm
Beam Angle	36°
DALI Dimmable	☉
Material	Aluminium
Special Feature	Honeycomb Aluminium Adapter
Color	Black Matt / Code 2529
Color	White Matt / Code 2529-W

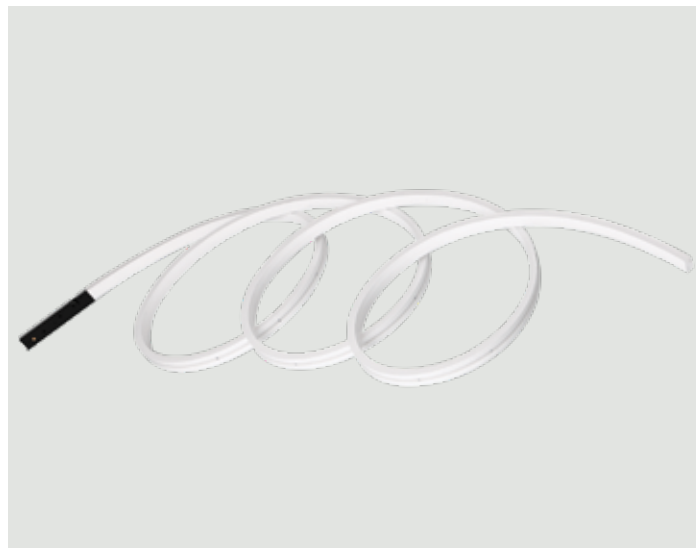


Power 6W
 Input 48V
 Color Temperature 3000K
 Lumen 426Lm
 Cri 90
 Dimensions Ø: 72mm H: 80mm
 Beam Angle 36°
 DALI Dimmable ☉
 Material Aluminium
 Special Feature 2000mm Cable Available
 Aluminium Adapter
 Color Black Matt / **Code 2527**



Power 7W
 Input 48V
 Color Temperature 3000K
 Lumen 330Lm
 Cri 90
 Dimensions Ø: 80mm
 DALI Dimmable ☉
 Material Aluminium - PMMA
 Special Feature Aluminium Adapter
 Color Black Matt / **Code 2531**



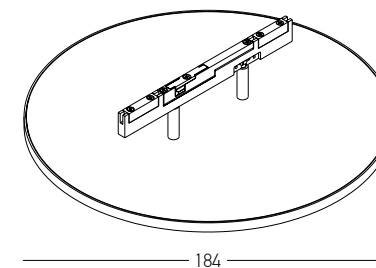
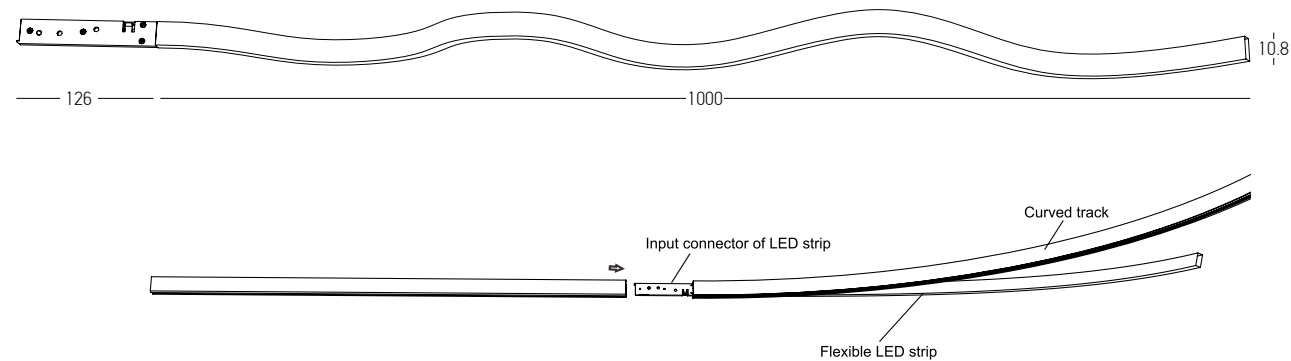


Power	10.8W
Input	48V
Color Temperature	3000K
Lumen	309Lm
Cri	90
Dimensions	L: 1000mm W: 4mm H: 10.8mm
Beam Angle	110°
DALI Dimmable	☉
Material	Silicone - Aluminium
Color	White-Black Matt Adapter / Code 2530

Notice : Adapter must be installed on a linear track.
 Notice : Cut sections of flexible LED strip are not reusable.

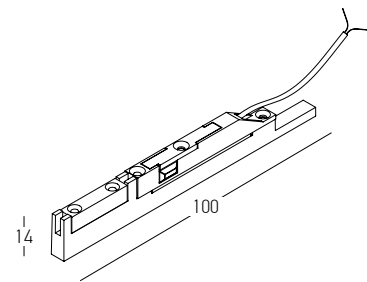


Power	8W
Input	48V
Color Temperature	3000K
Lumen	134Lm
Cri	90
Dimensions	Ø: 184mm H: 25mm
DALI Dimmable	☉
Material	Aluminium - Microprismatic Diffuser
Special Feature	Backlight Aluminium Adapter
Color	Black Matt / Code 2528



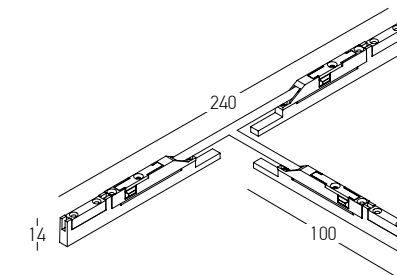
ACCESSORIES FOR 48V MAGNETIC TRACK SYSTEM 5MM

FEEDER



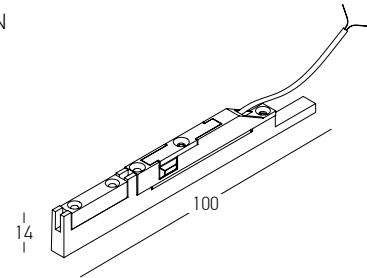
Dimensions L: 100mm W: 4mm H: 14mm
 Material Aluminium
 Special Feature 200mm Available
 Color Black Matt / **Code 2508**
 White Matt / **Code 2508-W**

"T" FLEX CONNECTOR



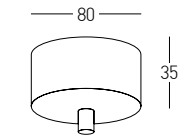
Dimensions L: 240mm W: 4mm H: 14mm
 Material Aluminium
 Color Black Matt / **Code 2509-3D**

FEEDER FOR PENDANT INSTALLATION



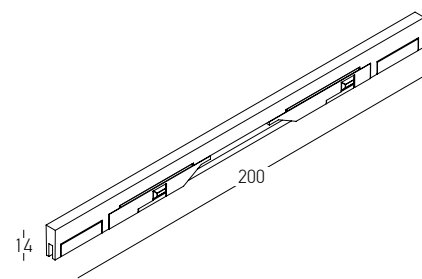
Dimensions L: 100mm W: 4mm H: 14mm
 Material Aluminium
 Special Feature 2000mm Available
 Color Black Matt / **Code 2508-2M**

CEILING BASE FOR PENDANT INSTALLATION



Dimensions Ø: 80mm H: 35mm
 Material Metal
 Color Sandy Black / **Code 23280**

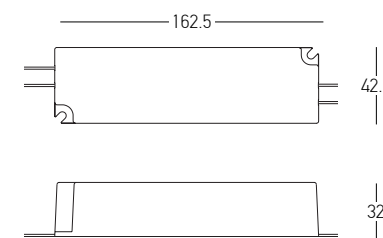
STRAIGHT CONNECTOR



Dimensions L: 200mm W: 4mm H: 14mm
 Material Aluminium
 Color Black Matt / **Code 2509**
 White Matt / **Code 2509-W**

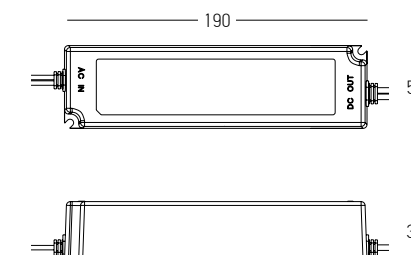
REMOTE DRIVERS FOR 48V MAGNETIC TRACK SYSTEM 5MM

REMOTE DRIVER 60W



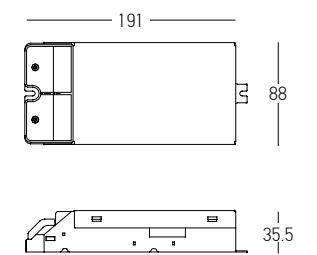
Input 220-240, 50-60Hz
 Output 48V
 Guarantee 5Years
 ON-OFF / **Code 20295**

REMOTE DRIVER 100W



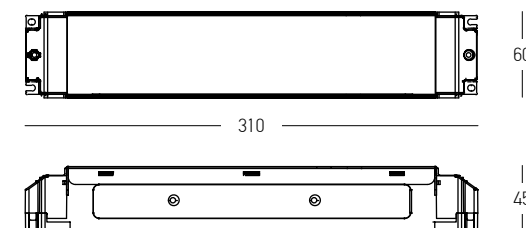
Input 220-240, 50-60Hz
 Output 48V
 Guarantee 5Years
 ON-OFF / **Code 20296**

REMOTE DRIVER 150W



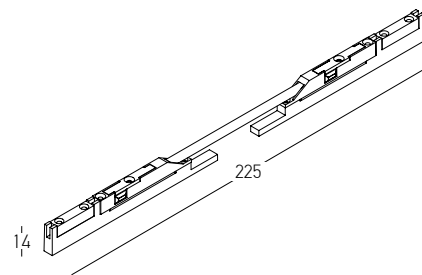
Input 220-240, 50-60Hz
 Output 48V
 Guarantee 5Years
 ON-OFF / **Code 20297**

REMOTE DRIVER 200W



Input 220-240, 50-60Hz
 Output 48V
 Guarantee 5Years
 DALI-PUSH BUTTON / **Code 23134**

FLEX CONNECTOR



Dimensions L: 225mm W: 4mm H: 14mm
 Material Aluminium
 Color Black Matt / **Code 2510**
 White Matt / **Code 2510-W**

02. 48V MAGNETIC TRACK SYSTEM 3MM



SYSTEM REFERENCE



TRACK FORM

Linear



INSTALLATION

Trimless



BODY COLOR

Sandy Black | Sandy White



FIXTURE COLOR

Sandy Black | Sandy White | Brass



REFERENCE CODE | TRIMLESS INSTALLATION

T: TRIMLESS



T: 25131 Feeder

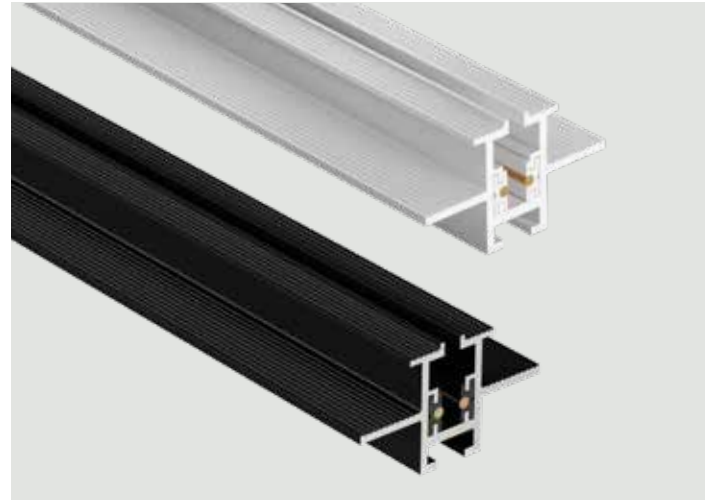
T: 25132 Straight Connector

T: 25134 Inner Corner
Flex Connector Included

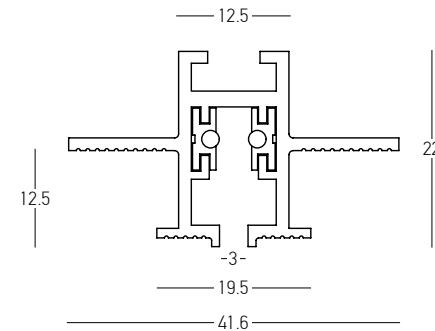
T: 25135 Outer Corner
Flex Connector Included

T: 25133 Horizontal Corner
Flex Connector Included

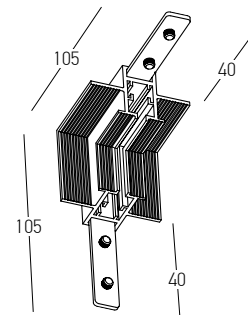
TRIMLESS TRACK 3MM



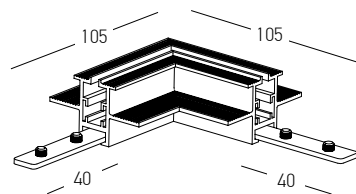
Track Code	Length	Color
25128	1m	Sandy Black
25128-W	1m	Sandy White
25129	2m	Sandy Black
25129-W	2m	Sandy White
25130	3m	Sandy Black
25130-W	3m	Sandy White



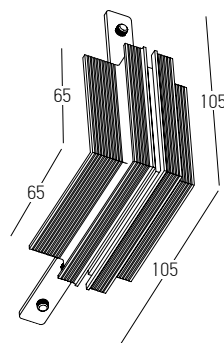
INNER CORNER 90°
(25134) VERTICAL



CORNER 90°
(25133) HORIZONTAL

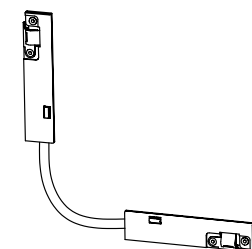


OUTER CORNER 90°
(25135) VERTICAL



Corner Code	Installation	Color
25134	Vertical	Sandy Black
25134-W	Vertical	Sandy White
25133	Horizontal	Sandy Black
25133-W	Horizontal	Sandy White
25135	Vertical	Sandy Black

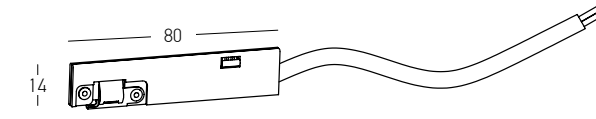
Notice : Flex Connector & Straight Mechanic Connector Included



FLEX CONNECTOR

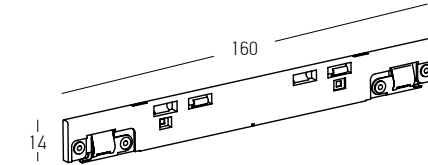
ACCESSORIES FOR TRIMLESS TRACK 3MM

FEEDER



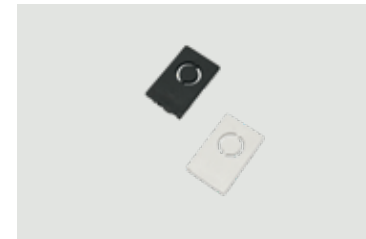
Dimensions L: 80mm W: 3mm H: 14mm
Material Plastic
Special Feature 300mm Available
Color Black / **Code 25131**

STRAIGHT CONNECTOR



Dimensions L: 160mm W: 3mm H: 14mm
Material Plastic
Color Black / **Code 25132**

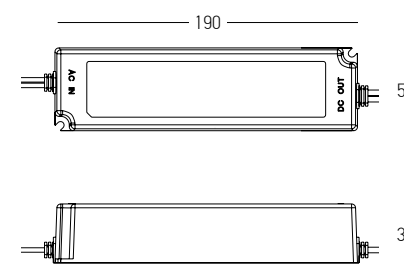
END CAP



End Cap (2pcs)
Material Plastic
Color Black / **Code 25460**
Color White / **Code 25460-W**

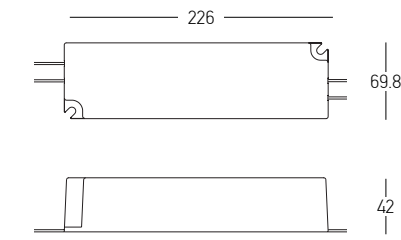
REMOTE DRIVERS FOR TRIMLESS TRACK 3MM

REMOTE DRIVER 100W



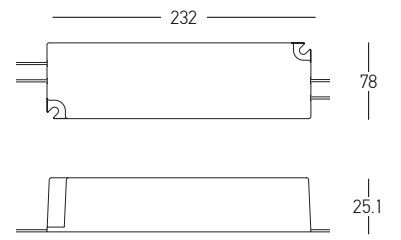
Input 220-240, 50-60Hz
Output 48V
Guarantee 5Years
ON-OFF / **Code 20296**

REMOTE DRIVER 100W



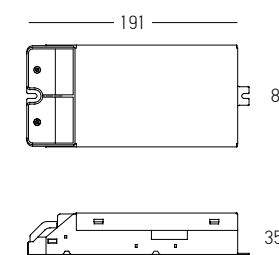
Input 220-240, 50-60Hz
Output 48V
Guarantee 5Years
TRIAC / **Code 25479**

REMOTE DRIVER 100W



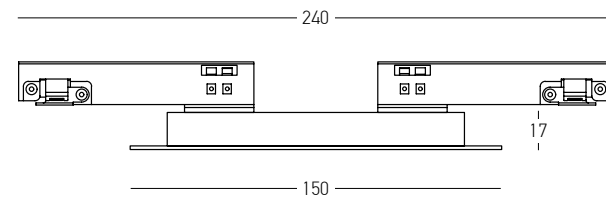
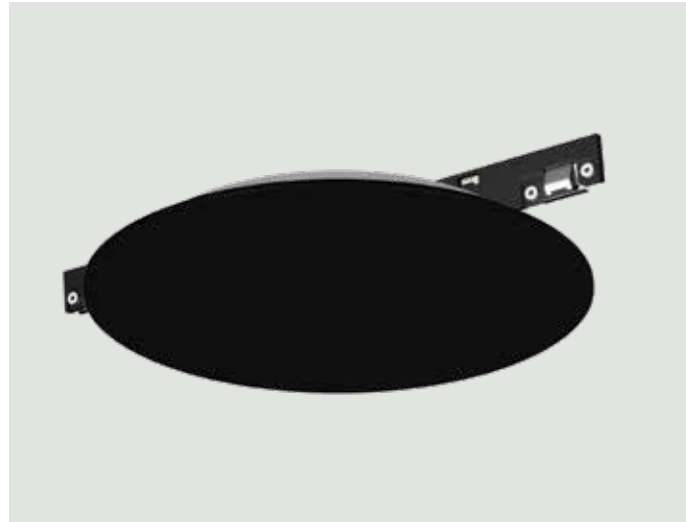
Input 220-240, 50-60Hz
Output 48V
Guarantee 5Years
DALI-PUSH BUTTON / **Code 25480**

REMOTE DRIVER 150W

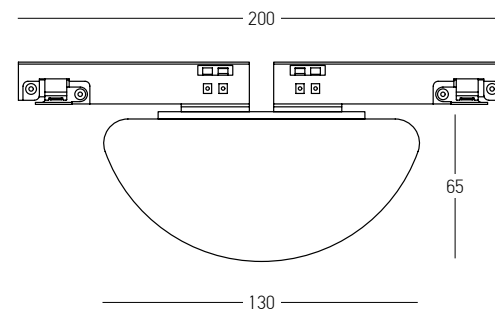
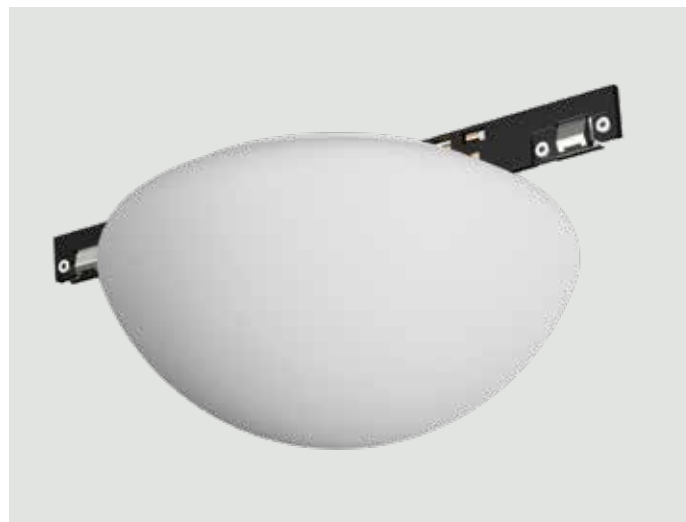
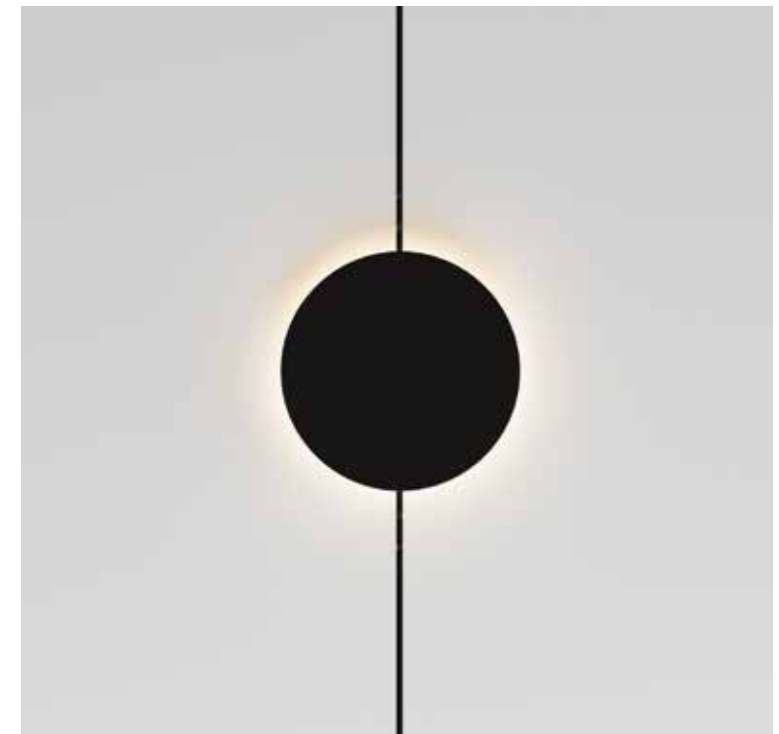


Input 220-240, 50-60Hz
Output 48V
Guarantee 5Years
ON-OFF / **Code 20297**



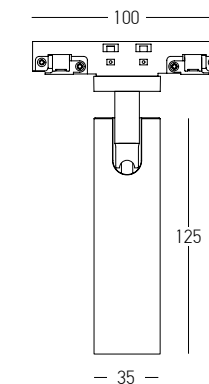


Power 7W
 Input 48V
 Color Temperature 3000K
 Lumen 220Lm
 Cri 90
 Dimensions Ø: 150mm H: 17mm
 Dimmable Triac-DALI ☉
 Material Aluminium - PC Diffuser
 Special Feature Backlight
 Color Sandy Black / **Code 25127**

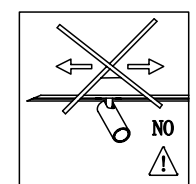
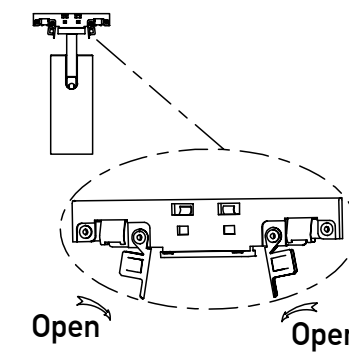
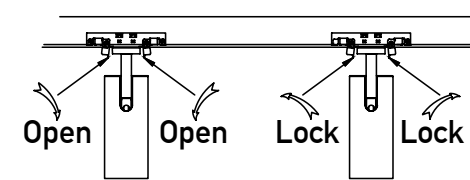


Power 8W
 Input 48V
 Color Temperature 3000K
 Lumen 590Lm
 Cri 80
 Dimensions Ø: 130mm H: 65mm
 Beam Angle 60°
 Non Dimmable ☒
 Material PC Diffuser
 Color Opal / **Code 25118**

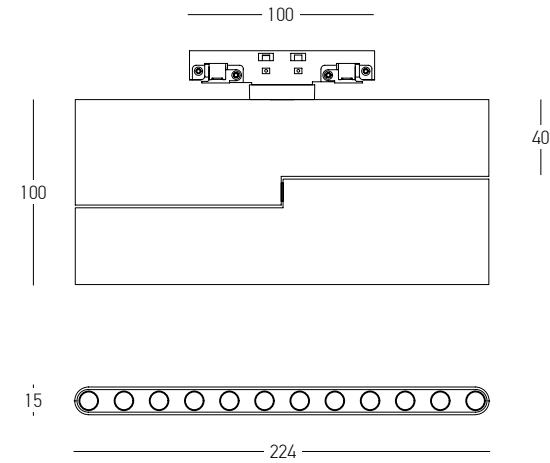




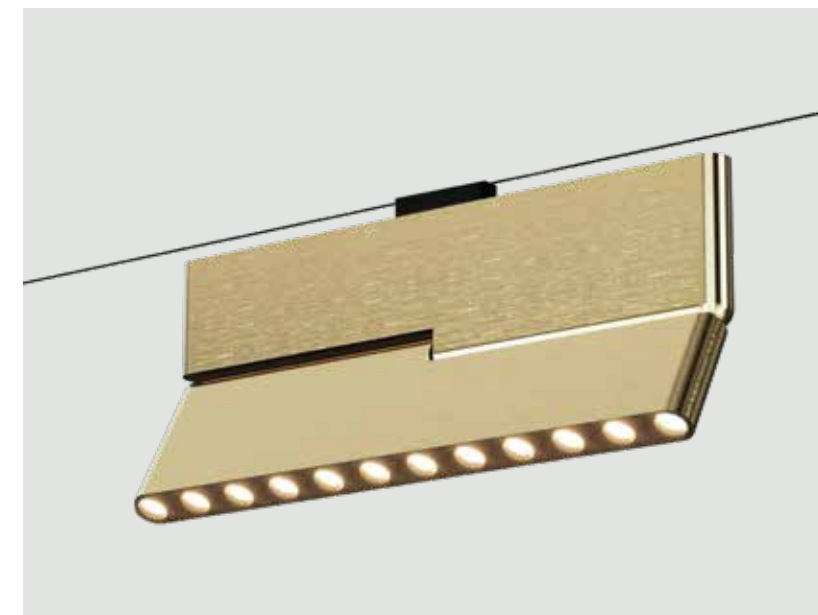
Power	7W
Input	48V
Color Temperature	3000K
Lumen	300Lm
Cri	90
Dimensions	Ø: 35mm H: 125mm
Beam Angle	60°
Dimmable Triac-DALI	○
Material	Aluminium
Color	Sandy Black / Code 25115
Color	Sandy White / Code 25116
Color	Brass / Code 25117

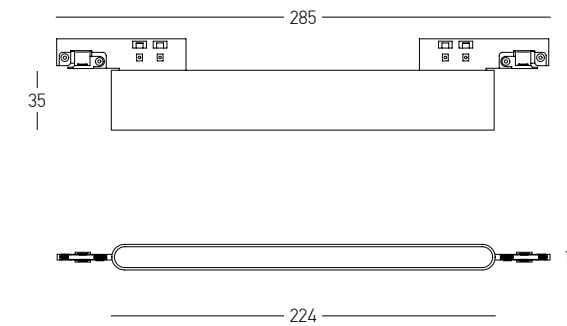
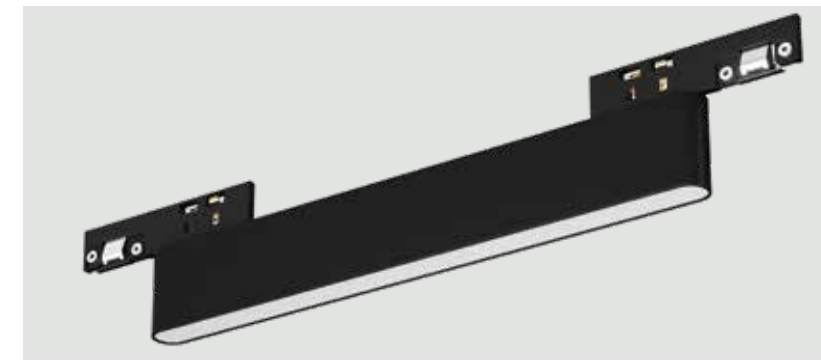
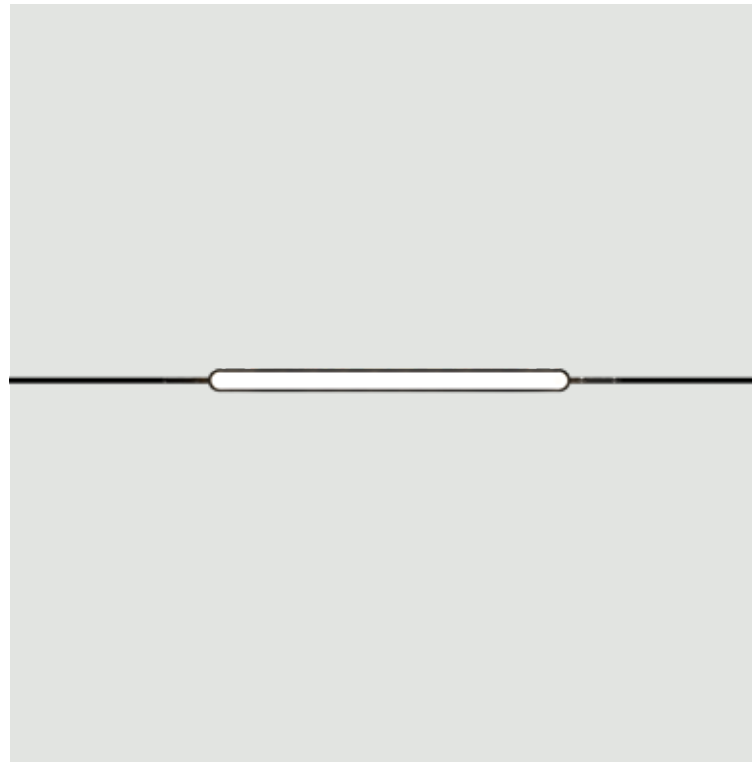


Change Position

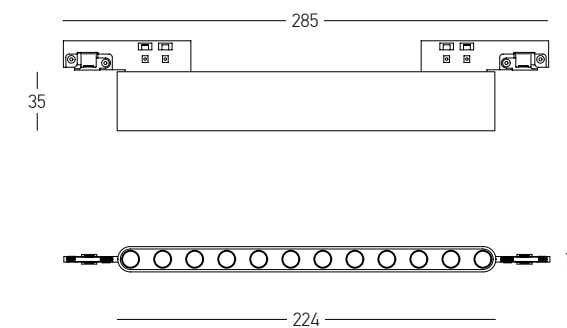
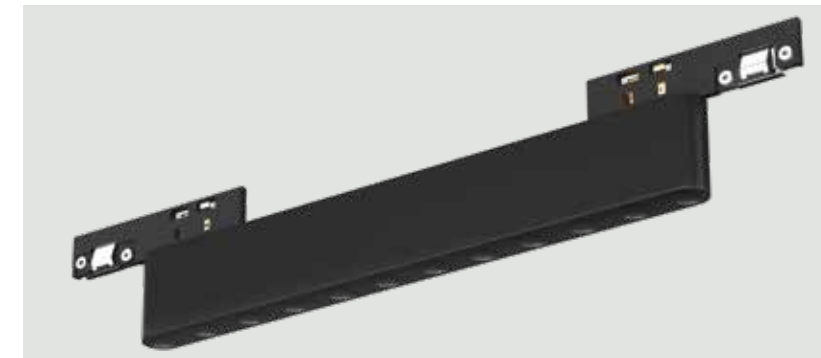
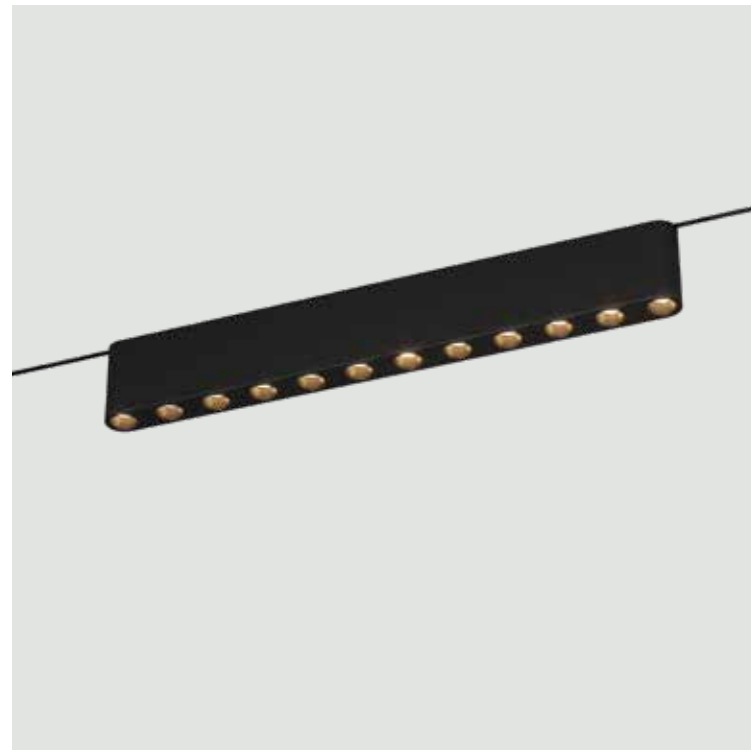
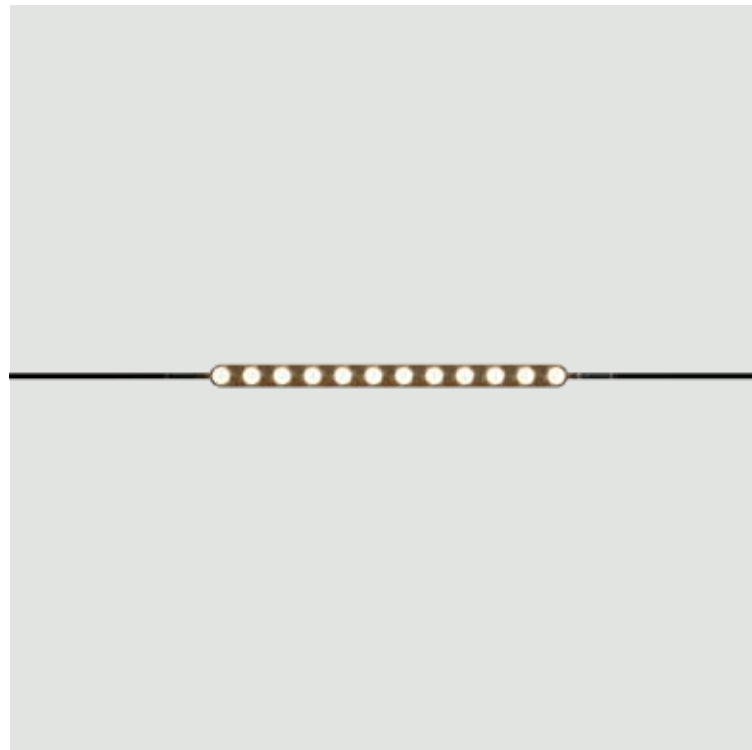


Power	12W
Input	48V
Color Temperature	3000K
Lumen	850Lm
Cri	90
Dimensions	L: 224mm W: 15mm H: 100mm
Beam Angle	36°
Dimmable Triac-DALI	○
Material	Aluminium
Special Feature	180° Adjustable Grille 359° Rotatable
Color	Sandy Black / Code 25119
Color	Sandy White / Code 25120
Color	Brass / Code 25121

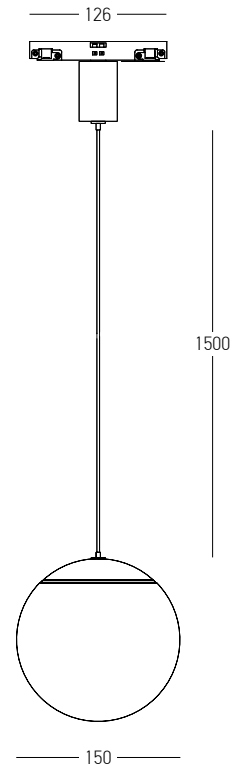
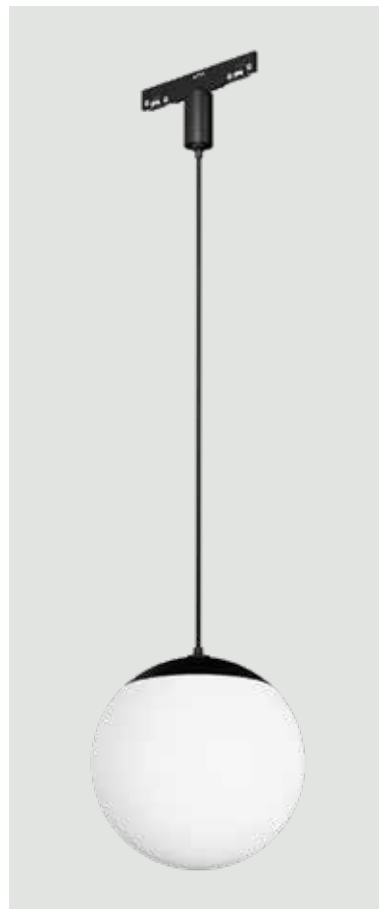




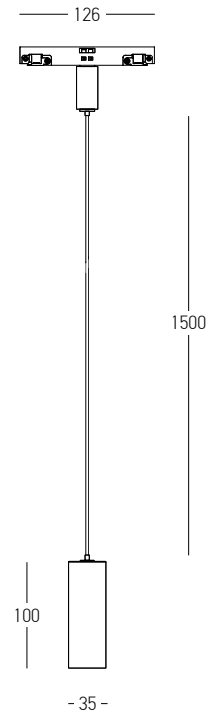
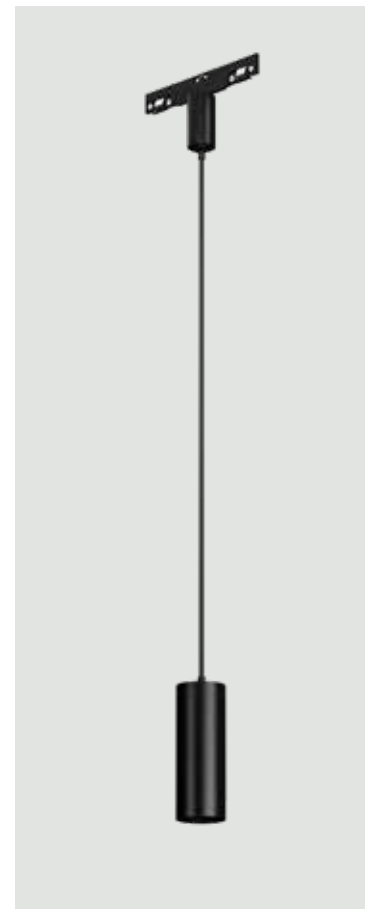
Power 10W
 Input 48V
 Color Temperature 3000K
 Lumen 400Lm
 Cri 90
 Dimensions L: 224mm W: 15mm H: 35mm
 Beam Angle 120°
 Dimmable Triac-DALI
 Material Aluminium - PC Diffuser
 Color Sandy Black / **Code 25123**



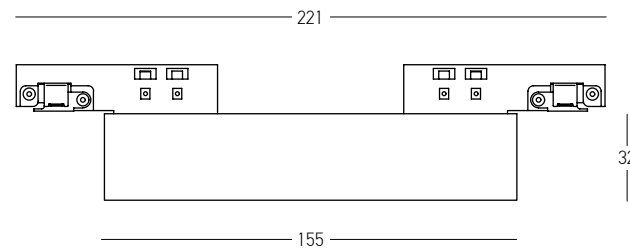
Power 10W
 Input 48V
 Color Temperature 3000K
 Lumen 660Lm
 Cri 90
 Dimensions L: 224mm W: 15mm H: 35mm
 Beam Angle 36°
 Dimmable Triac-DALI
 Material Aluminium
 Color Sandy Black / **Code 25122**



Power 10W
 Input 48V
 Color Temperature 3000K
 Lumen 900Lm
 Cri 90
 Dimensions Ø: 150mm
 Beam Angle 120°
 Dimmable Triac-DALI ☉
 Material Aluminium - PC Diffuser
 Special Feature 1500mm Cable Available
 Color Sandy Black-Opal / **Code 25125**



Power 7W
 Input 48V
 Color Temperature 3000K
 Lumen 310Lm
 Cri 90
 Dimensions Ø: 35mm H: 100mm
 Beam Angle 30°
 Dimmable Triac-DALI ☉
 Material Aluminium
 Special Feature 1500mm Cable Available
 Color Sandy Black / **Code 25124**



Power 11W
 Input 48V
 Color Temperature 3000K
 Lumen 700Lm
 Cri 90
 Dimensions Ø: 155mm H: 32mm
 Beam Angle 60°
 Dimmable Triac-DALI ☉
 Material Aluminium
 Color Sandy Black / **Code 25126**



03. 24V MAGNETIC TRACK SYSTEM 6MM

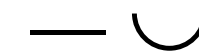


SYSTEM REFERENCE



TRACK FORM

Linear | Curved



INSTALLATION

Trimless | Surface



BODY COLOR

Sandy Black | Antique Brass



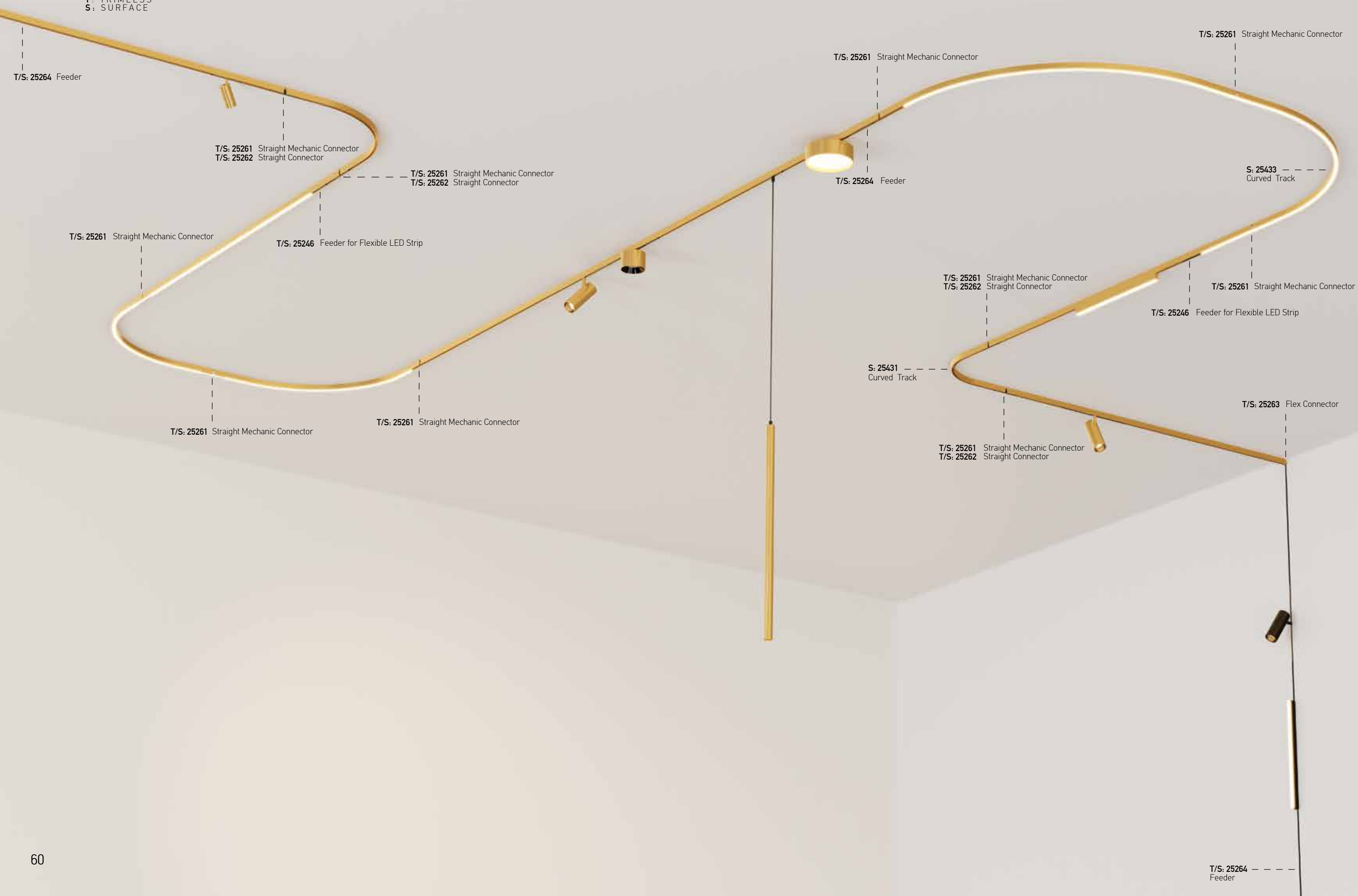
FIXTURE COLOR

Sandy Black | Antique Brass



REFERENCE CODE | TRIMLESS & SURFACE INSTALLATION

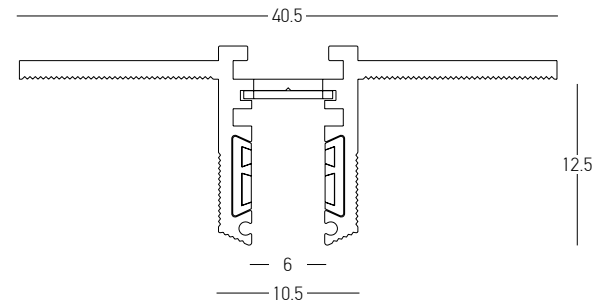
T: TRIMLESS
S: SURFACE



TRIMLESS TRACK 6MM



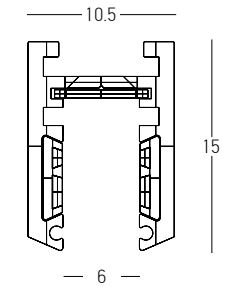
Track Code	Length	Color
25220	1m	Sandy Black
25221	1m	Antique Brass
25222	2m	Sandy Black
25223	2m	Antique Brass



SURFACE TRACK 6MM



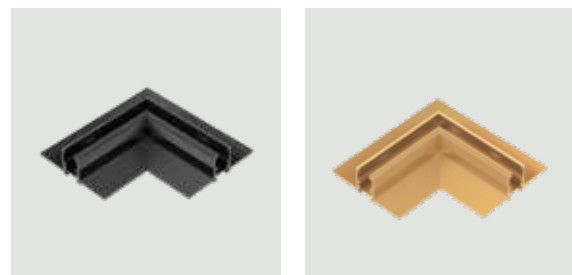
Track Code	Length	Color
25228	1m	Sandy Black
25229	1m	Antique Brass
25230	2m	Sandy Black
25231	2m	Antique Brass



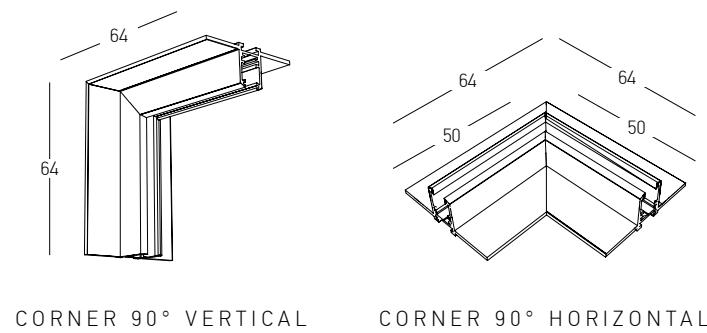
CORNER 90° (25226) VERTICAL CORNER 90° (25227) VERTICAL

Corner Code	Installation	Color
25226	Vertical	Sandy Black
25227	Vertical	Antique Brass
25224	Horizontal	Sandy Black
25225	Horizontal	Antique Brass

Notice : For corner it is also required to order 25263



CORNER 90° (25224) HORIZONTAL CORNER 90° (25225) HORIZONTAL



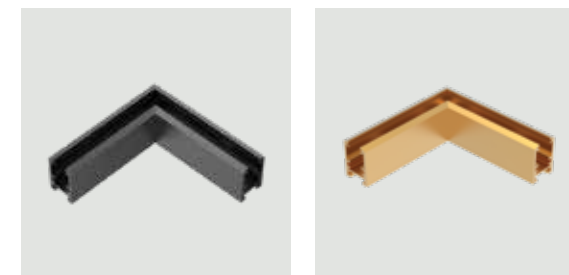
CORNER 90° VERTICAL CORNER 90° HORIZONTAL



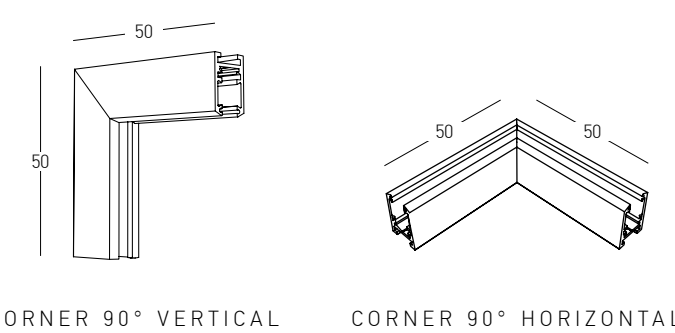
CORNER 90° (25234) VERTICAL CORNER 90° (25235) VERTICAL

Corner Code	Installation	Color
25234	Vertical	Sandy Black
25235	Vertical	Antique Brass
25232	Horizontal	Sandy Black
25233	Horizontal	Antique Brass

Notice : For corner it is also required to order 25263



CORNER 90° (25232) HORIZONTAL CORNER 90° (25233) HORIZONTAL



CORNER 90° VERTICAL CORNER 90° HORIZONTAL

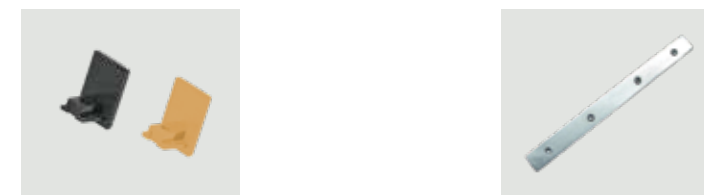
ACCESSORIES FOR TRIMLESS TRACK 6MM



End Cap
Material Plastic
Color Black Matt / Code 25458
Color Antique Brass / Code 25458-G

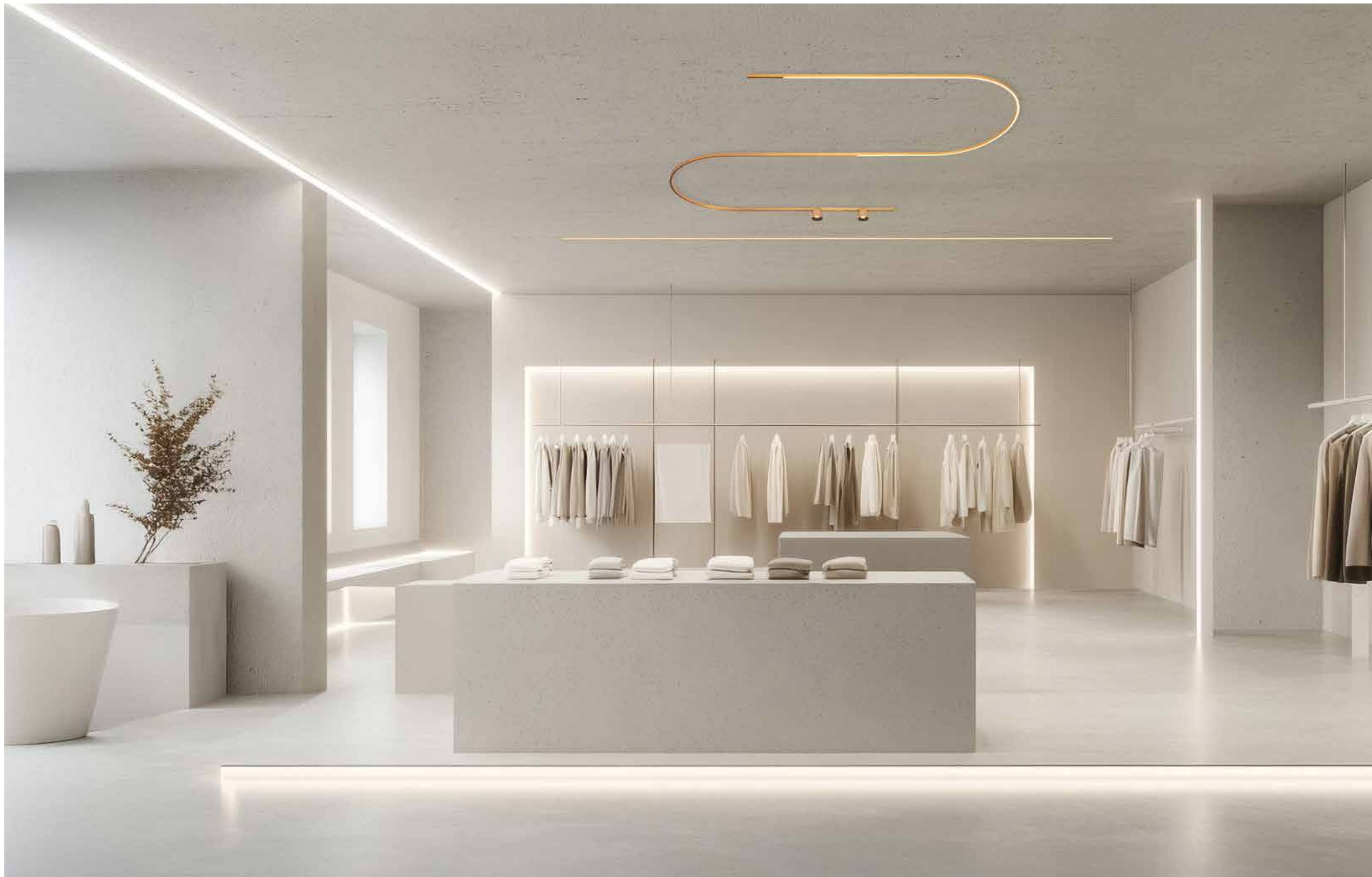
Straight Mechanic Connector
Material Stainless Steel
Code 25261

ACCESSORIES FOR SURFACE TRACK 6MM



End Cap
Material Plastic
Color Black Matt / Code 25458
Color Antique Brass / Code 25458-G

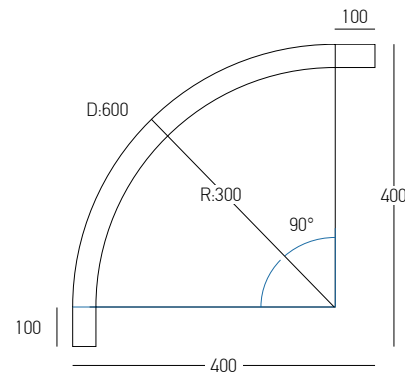
Straight Mechanic Connector
Material Stainless Steel
Code 25261





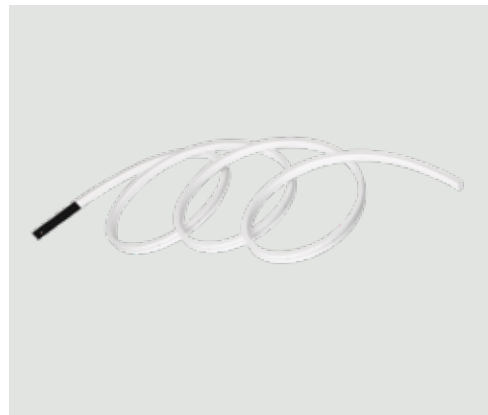
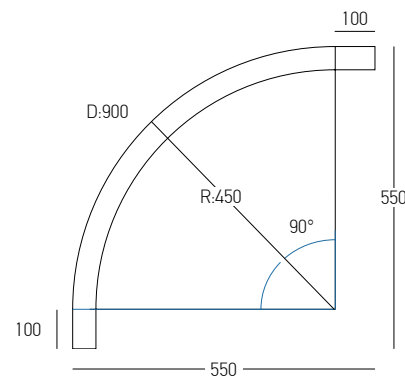
SURFACE CURVED TRACK

Dimensions Ø: 600mm
 L: 680mm
 Material Aluminium
 Color Sandy Black / **Code 25430**
 Color Antique Brass / **Code 25431**



SURFACE CURVED TRACK

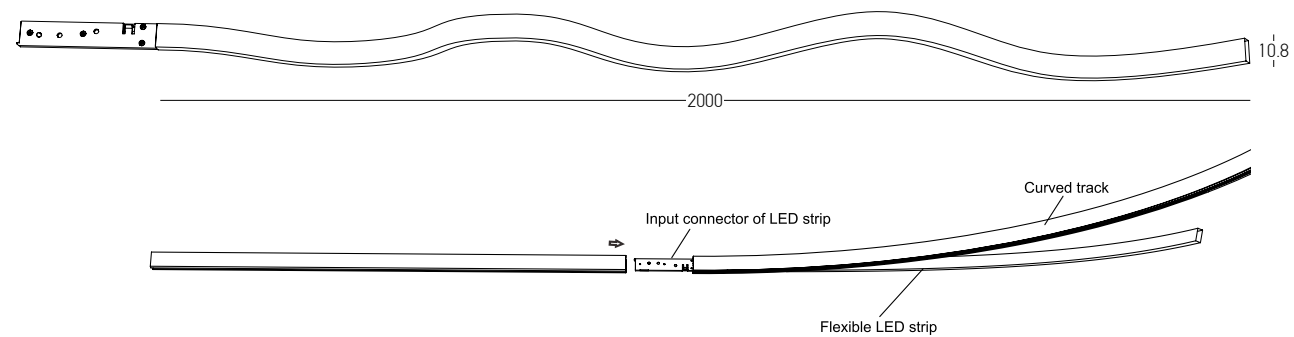
Dimensions Ø: 900mm
 L: 992mm
 Material Aluminium
 Color Sandy Black / **Code 25432**
 Color Antique Brass / **Code 25433**

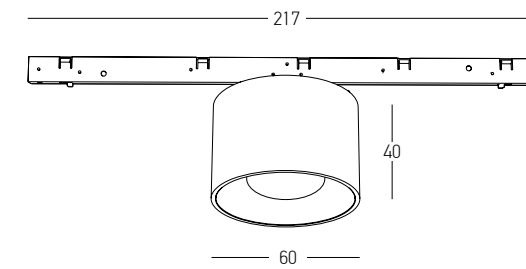
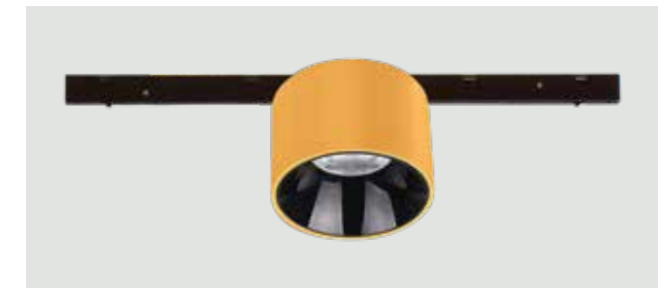


FLEXIBLE LED RUBBER STRIP

Power 16W
 Input 24V
 Color Temperature 3000K
 Lumen 544Lm
 Cri 90
 Dimensions L: 2000mm W: 5mm H: 10.8mm
 Beam Angle 110°
 Non Dimmable ⊗
 Unit Cut 50mm
 Material Silicone
 Color White-Black Adapter / **Code 25246**

Notice : Adapter must be installed on a linear track.
 Notice : Cut sections of flexible LED rubber are not reusable.

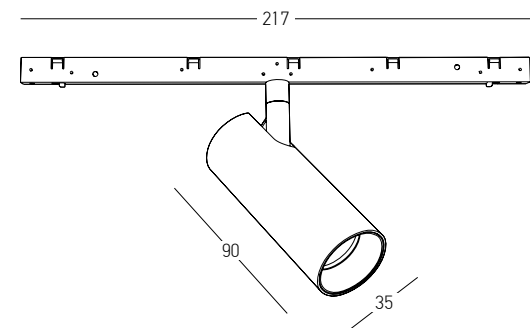




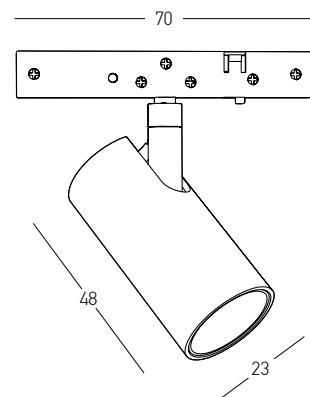
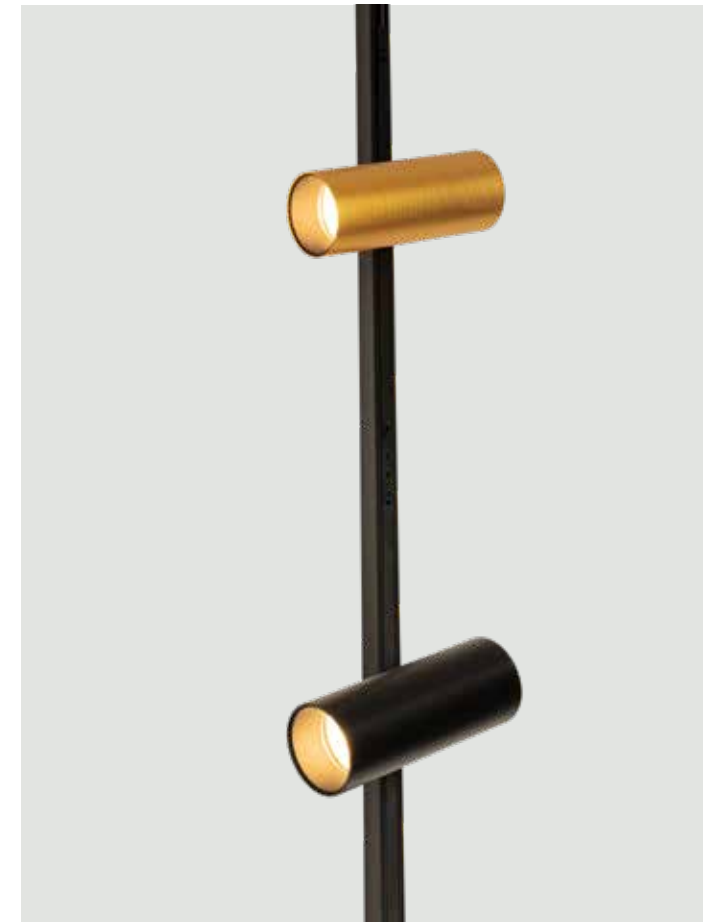
Power	5W
Input	24V
Color Temperature	3000K
Lumen	440Lm
Cri	90
Dimensions	Ø: 60mm H: 40mm
Beam Angle	36°
DALI Dimmable	☉
Material	Aluminium - Acrylic
Color	Sandy Black / Code 25255
Color	Antique Brass / Code 25256



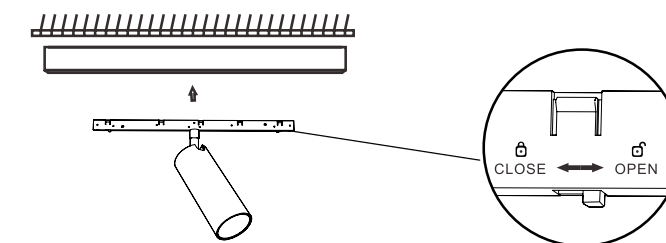


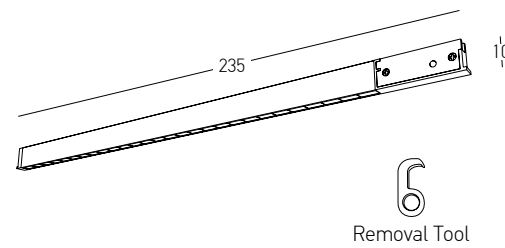
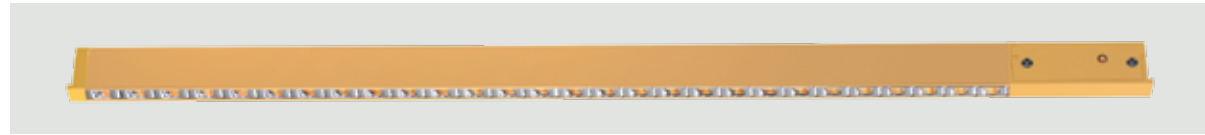
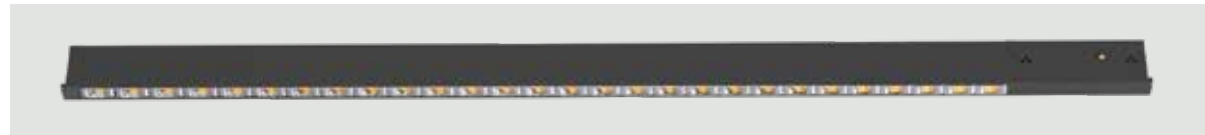


Power 7W
 Input 24V
 Color Temperature 3000K
 Lumen 597Lm
 Cri 90
 Dimensions Ø: 35mm H: 90mm
 Beam Angle 36°
 DALI Dimmable
 Material Aluminium - Acrylic
 Color Sandy Black / **Code 25253**
 Color Antique Brass / **Code 25254**



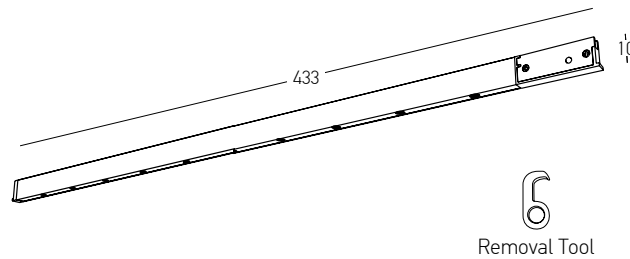
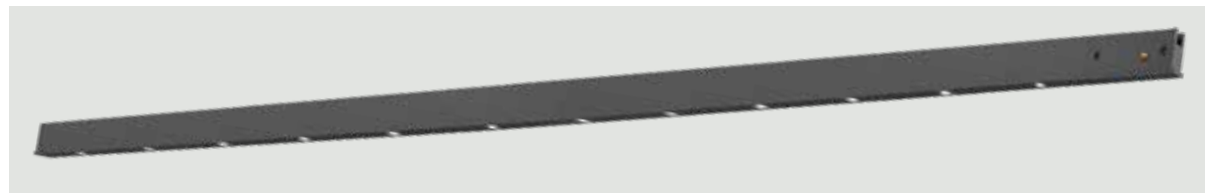
Power 5W
 Input 24V
 Color Temperature 3000K
 Lumen 303Lm
 Cri 90
 Dimensions Ø: 23mm H: 48mm
 Beam Angle 30°
 Non Dimmable
 Material Aluminium - Acrylic
 Color Sandy Black / **Code 25251**
 Color Antique Brass / **Code 25252**





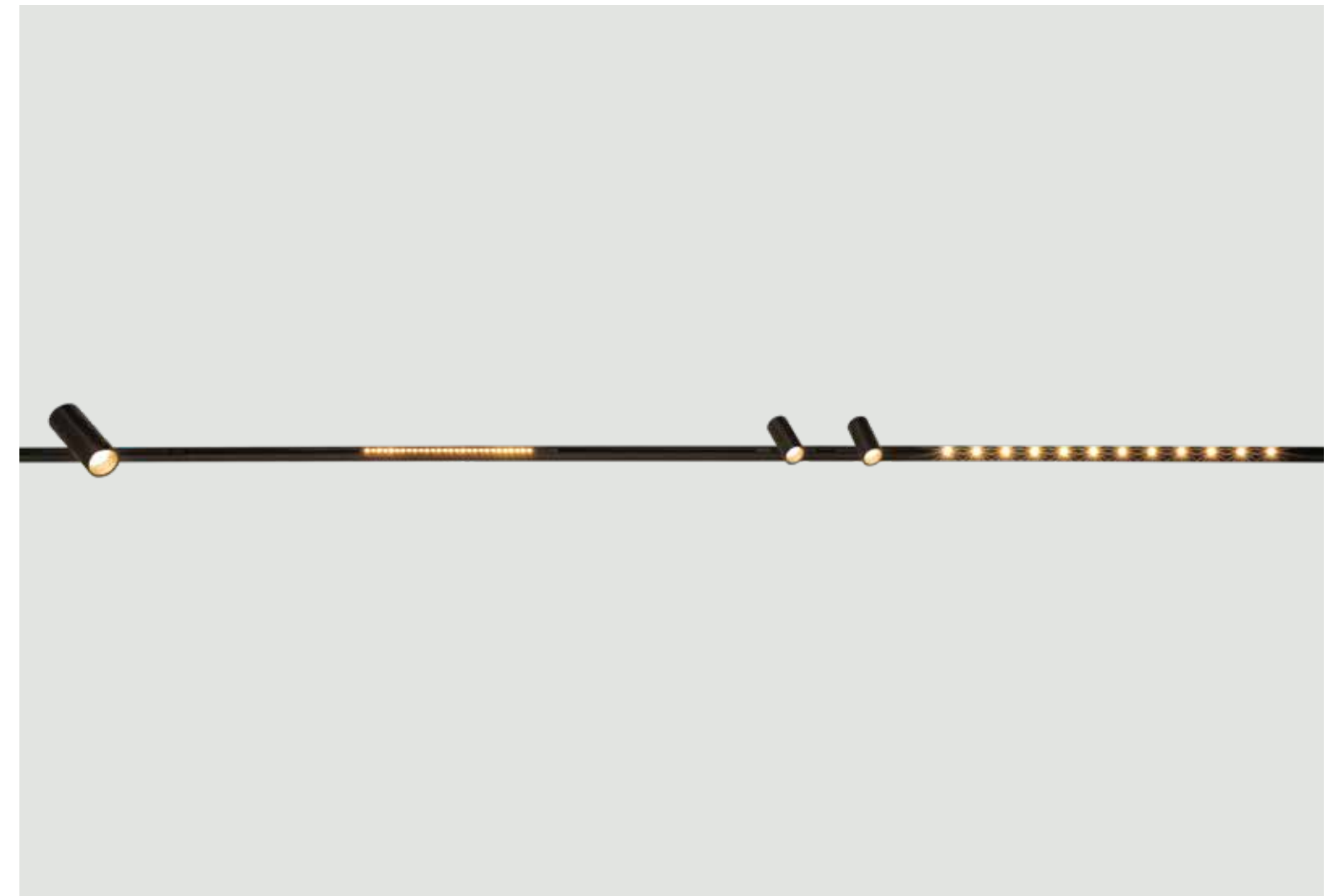
Power 4W
 Input 24V
 Color Temperature 3000K
 Lumen 218Lm
 Cri 90
 Beam Angle 60°
 Dimensions L: 235mm W: 5mm H: 10mm
 Non Dimmable ☒
 Material Aluminium
 Color Sandy Black / **Code 25242**
 Color Antique Brass / **Code 25243**

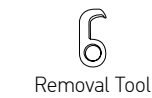
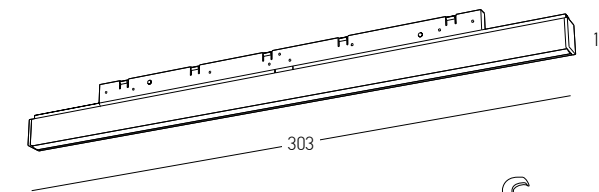
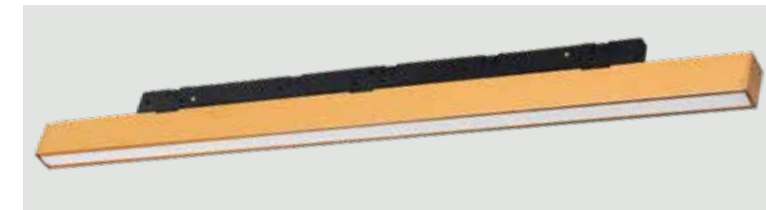
Notice : Magnetic Light Removal Tool Included



Power 8W
 Input 24V
 Color Temperature 3000K
 Lumen 327Lm
 Cri 90
 Beam Angle 60°
 Dimensions L: 433mm W: 5mm H: 10mm
 Non Dimmable ☒
 Material Aluminium
 Color Sandy Black / **Code 25240**
 Color Antique Brass-Sandy Black / **Code 25241**

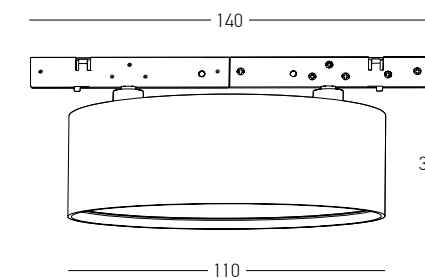
Notice : Magnetic Light Removal Tool Included





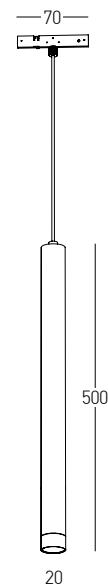
Power	6W
Input	24V
Color Temperature	3000K
Lumen	522Lm
Cri	90
Dimensions	L: 303mm W: 10mm H: 18mm
Beam Angle	60°
DALI Dimmable	☉
Material	Aluminium - Microprismatic Diffuser
Color	Sandy Black / Code 25249
Color	Antique Brass / Code 25250

Notice : Magnetic Light Removal Tool Included



Power	11W
Input	24V
Color Temperature	3000K
Lumen	786Lm
Cri	90
Dimensions	Ø: 110mm H: 36mm
Beam Angle	100°
Non Dimmable	⊗
Material	Aluminium - PC Diffuser
Color	Sandy Black / Code 25257
Color	Antique Brass / Code 25258

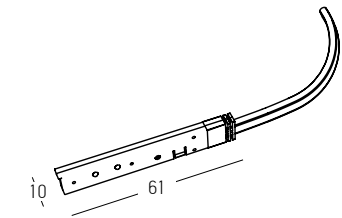
Notice : Magnetic Light Removal Tool Included



Power 5W
 Input 24V
 Color Temperature 3000K
 Lumen 197Lm
 Cri 90
 Dimensions Ø: 20mm H: 500mm
 Beam Angle 30°
 Non Dimmable ☒
 Material Aluminium - Acrylic
 Special Feature 2000mm Cable Adjustable
 Color Sandy Black / **Code 25259**
 Color Antique Brass / **Code 25260**

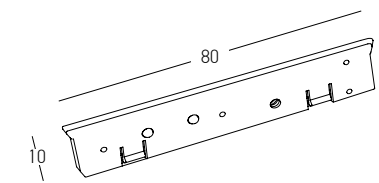
ACCESSORIES FOR 24V MAGNETIC TRACK SYSTEM 6MM

FEEDER



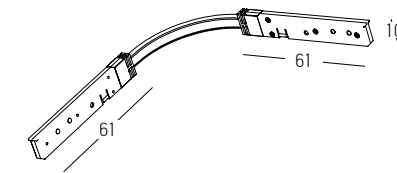
Dimensions L: 61mm W: 5mm H: 10mm
 Special Feature 1000mm Cable Available
 Color Black / **Code 25264**

STRAIGHT CONNECTOR



Dimensions L: 80mm W: 5mm H: 10mm
 Color Black / **Code 25262**

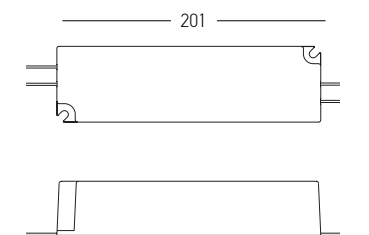
FLEX CONNECTOR



Dimensions L: 260mm W: 5mm H: 10mm
 Color Black / **Code 25263**

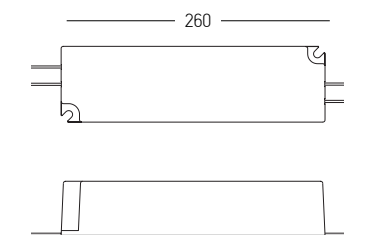
REMOTE DRIVERS FOR 24V MAGNETIC TRACK 6MM

REMOTE DRIVER 60W



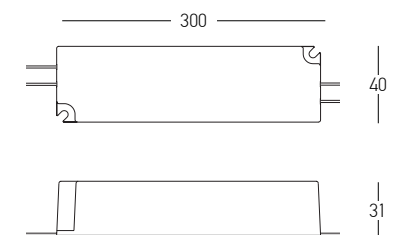
Input 220-240, 50-60Hz
 Output 24V
 Guarantee 5Years
 ON-OFF / **Code 25461**
 DALI KIT / **Code 25464**
 PUSH BUTTON KIT / **Code 25467**
 BLUETOOTH KIT / **Code 25470**

REMOTE DRIVER 120W



Input 220-240, 50-60Hz
 Output 24V
 Guarantee 5Years
 ON-OFF / **Code 25462**
 DALI KIT / **Code 25465**
 PUSH BUTTON KIT / **Code 25468**
 BLUETOOTH KIT / **Code 25471**

REMOTE DRIVER 180W



Input 220-240, 50-60Hz
 Output 24V
 Guarantee 5Years
 ON-OFF / **Code 25463**
 DALI KIT / **Code 25466**
 PUSH BUTTON KIT / **Code 25469**
 BLUETOOTH KIT / **Code 25472**

04. 48V ULTRA SLIM MAGNETIC SYSTEM 15MM



SYSTEM REFERENCE



TRACK FORM

Linear



INSTALLATION

Trimless | Surface | Pendant



BODY COLOR

Sandy Black



FIXTURE COLOR

Sandy Black



REFERENCE CODE | TRIMLESS, SURFACE & PENDANT INSTALLATION

T: TRIMLESS
S: SURFACE
P: PENDANT



T/S: 23262
End Cap

T/S: 23159
Integrated Driver

P: 23265
Suspension Kit

P: 23280
Ceiling Base

P: 23126
Feeder

T: 23133
S: 23132
T/S: 23128
Vertical Corner
Vertical Corner
Flex Connector

P: 23264
End Cap

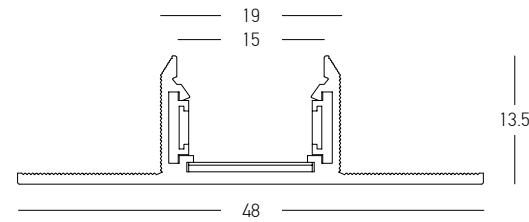
T: 23130
S: 23131
T/S: 23129
Horizontal Corner
Horizontal Corner
Corner Connector

T: 23130
S: 23131
T/S: 23129
Horizontal Corner
Horizontal Corner
Corner Connector

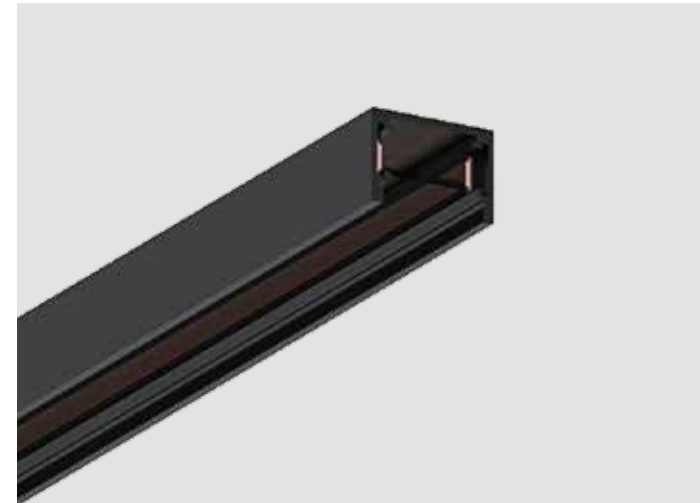
TRIMLESS ULTRA SLIM MAGNETIC TRACK 15MM



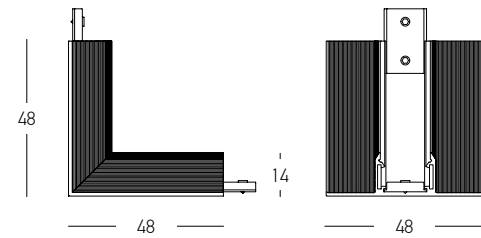
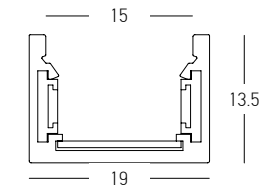
Track Code	Length	Color
23121	1m	Sandy Black
23122	2m	Sandy Black
23123	3m	Sandy Black



SURFACE ULTRA SLIM MAGNETIC TRACK 15MM



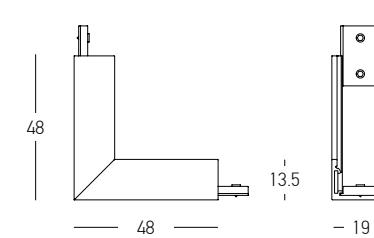
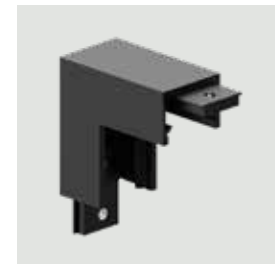
Track Code	Length	Color
23118	1m	Sandy Black
23119	2m	Sandy Black
23120	3m	Sandy Black



Corner Code	Installation	Color
23133	Vertical	Sandy Black
23130	Horizontal	Sandy Black

Notice : For Vertical corner it is also required to order 23128
 Notice : For Horizontal corner it is also required to order 23129

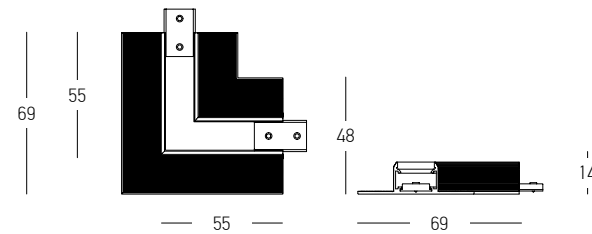
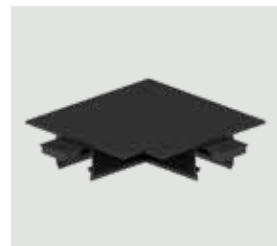
CORNER 90° (23133)
VERTICAL



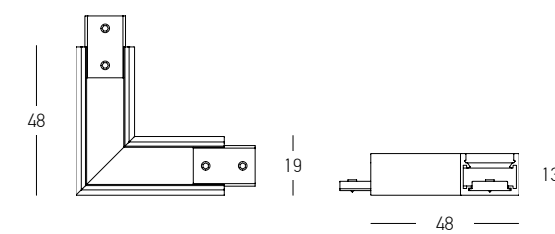
Corner Code	Installation	Color
23132	Vertical	Sandy Black
23131	Horizontal	Sandy Black

Notice : For Vertical corner it is also required to order 23128
 Notice : For Horizontal corner it is also required to order 23129

CORNER 90° (23132)
VERTICAL



CORNER 90° (23130)
HORIZONTAL



CORNER 90° (23131)
HORIZONTAL

ACCESSORIES FOR TRIMLESS ULTRA SLIM MAGNETIC TRACK 15MM



End Cap
Material Plastic
Color Black / Code 23262



Straight Mechanic Connector
Material Aluminium
Color Black / Code 23263



PC Cover 3m
Material Plastic
Color Black / Code 23125

ACCESSORIES FOR SURFACE ULTRA SLIM MAGNETIC TRACK 15MM



End Cap
Material Plastic
Color Black / Code 23262



Straight Mechanic Connector
Material Aluminium
Color Black / Code 23263



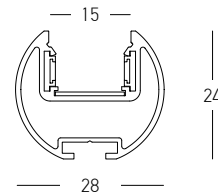
PC Cover 3m
Material Plastic
Color Black / Code 23125



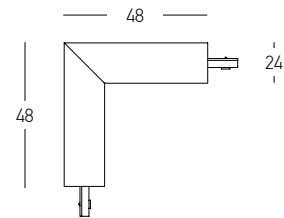
PENDANT ROUND SLIM MAGNETIC TRACK 15MM



Track Code	Length	Color
23124	2m	Black Matt



CORNER 90° (23300)
VERTICAL

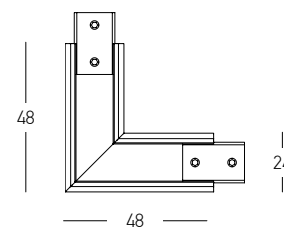


Corner Code	Installation	Color
23300	Vertical	Black Matt
23350	Horizontal	Black Matt

Notice : For corner it is also required to order 23128



CORNER 90° (23350)
HORIZONTAL



ACCESSORIES FOR ROUND SLIM MAGNETIC TRACK 15MM



End Cap
Material Plastic
Color Black / Code 23264



Straight Mechanic Connector
Material Aluminium
Color Black / Code 23263

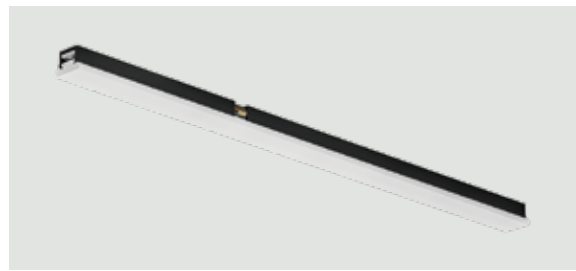


PC Cover 3m
Material Plastic
Color Black / Code 23125

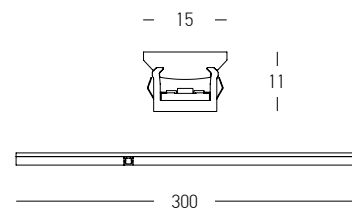


Suspension Kit with Wire 1.5m
Material Metal
Color Chrome / Code 23265

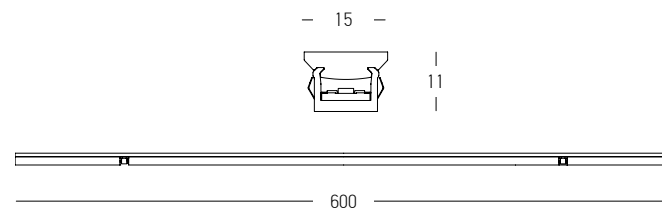




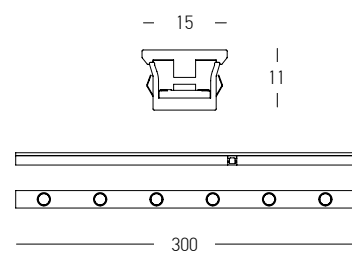
Power 6W
 Input 48V
 Color Temperature 3000K
 Lumen 408Lm
 Cri 90
 Dimensions L: 300mm W: 15mm H: 11mm
 Beam Angle 110°
 DALI Dimmable
 Material Aluminium - PC Diffuser
 Color Sandy Black / **Code 23110**



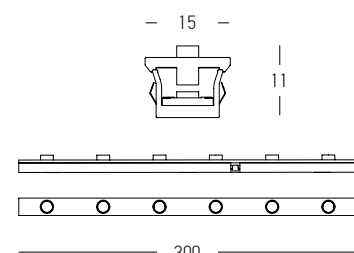
Power 12W
 Input 48V
 Color Temperature 3000K
 Lumen 832Lm
 Cri 90
 Dimensions L: 600mm W: 15mm H: 11mm
 Beam Angle 110°
 DALI Dimmable
 Material Aluminium - PC Diffuser
 Color Sandy Black / **Code 23111**



Power 6W
 Input 48V
 Color Temperature 3000K
 Lumen 475Lm
 Cri 90
 Dimensions L: 300mm W: 15mm H: 11mm
 Beam Angle 36°
 DALI Dimmable
 Material Aluminium
 Color Sandy Black / **Code 23112**

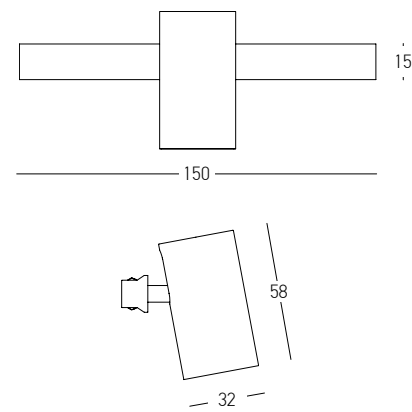


Power 6W
 Input 48V
 Color Temperature 3000K
 Lumen 415Lm
 Cri 90
 Dimensions L: 300mm W: 15mm H: 11mm
 Beam Angle 36°
 DALI Dimmable
 Material Aluminium
 Color Sandy Black / **Code 23113**

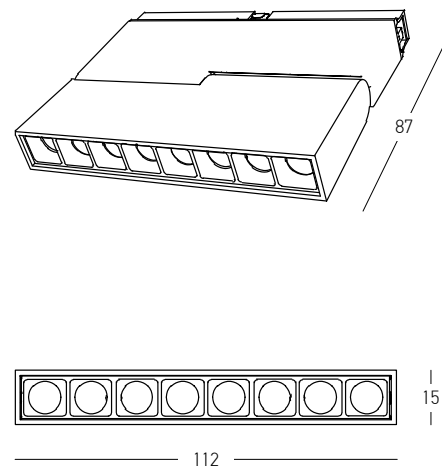




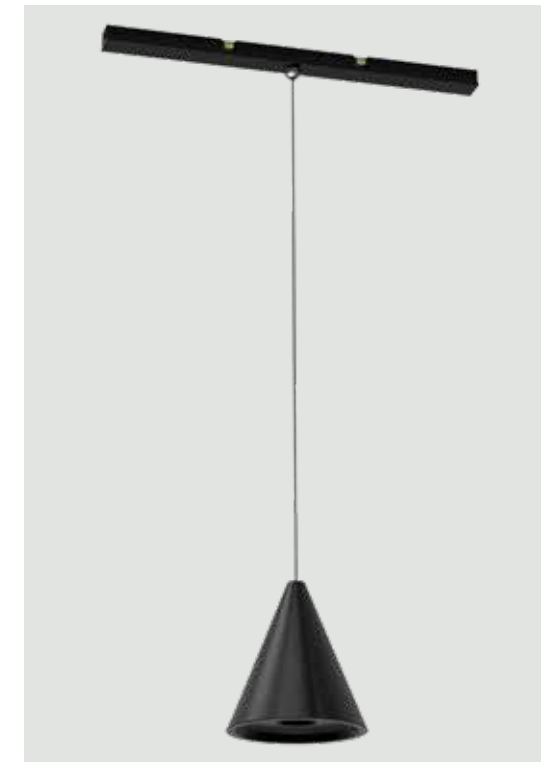
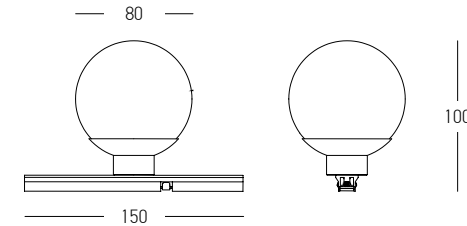
Power 5W
 Input 48V
 Color Temperature 3000K
 Lumen 305Lm
 Cri 90
 Dimensions Ø: 32mm H: 58mm
 Beam Angle 24°
 DALI Dimmable ☉
 Material Aluminium
 Special Feature Rotatable - Tilt Up Down
 Color Sandy Black / **Code 23114**



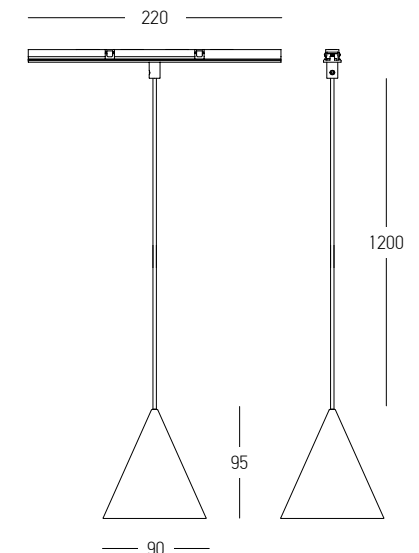
Power 8W
 Input 48V
 Color Temperature 3000K
 Lumen 554Lm
 Cri 90
 Dimensions L: 112mm W: 15mm H: 55-87mm
 Beam Angle 24°
 DALI Dimmable ☉
 Material Aluminium
 Special Feature Adjustable Grille
 Color Sandy Black / **Code 23115**

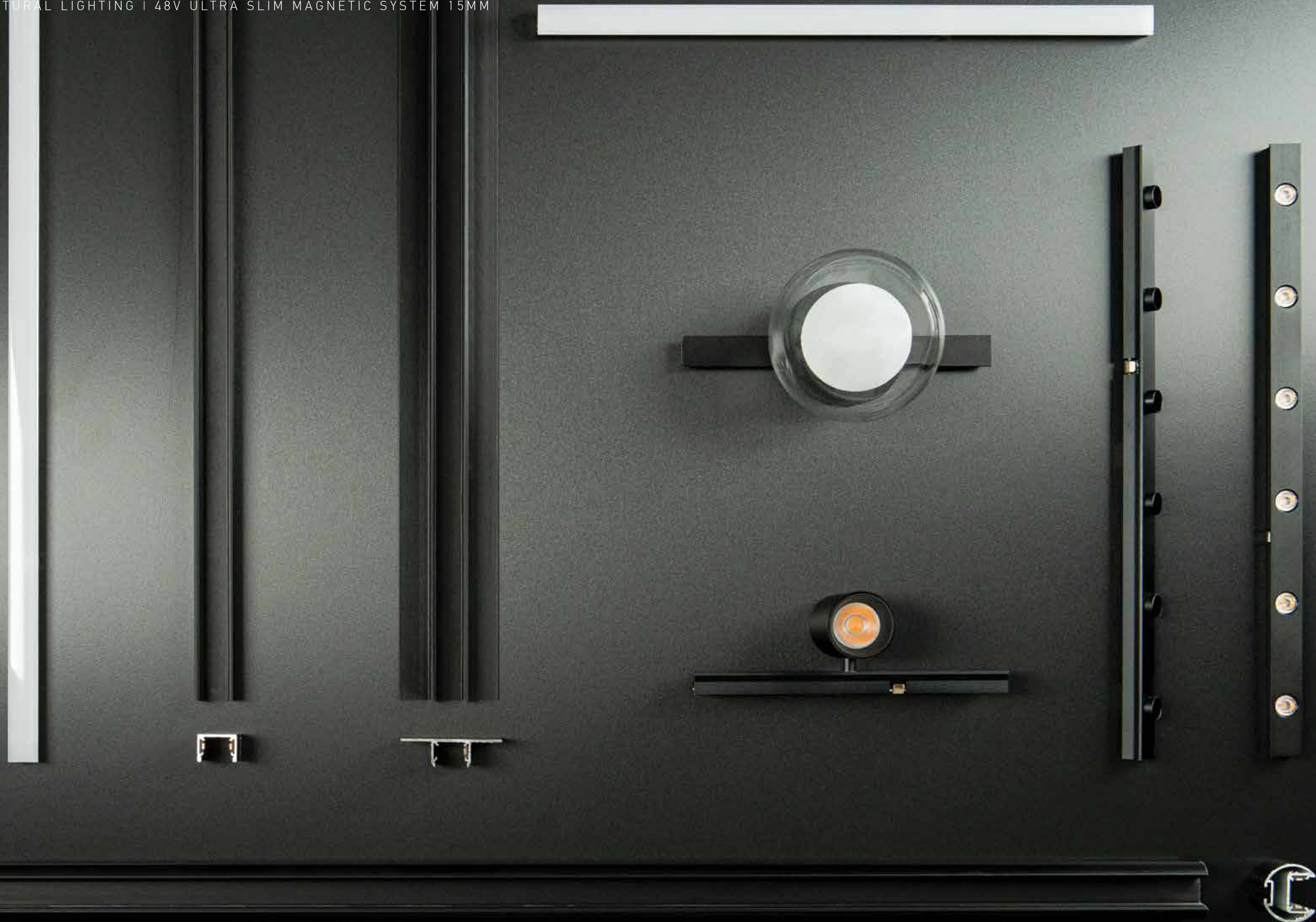


Power 3W
 Input 48V
 Color Temperature 3000K
 Lumen 186Lm
 Cri 90
 Dimensions Ø: 80mm
 Beam Angle 340°
 DALI Dimmable ☉
 Material Aluminium - Glass
 Color Sandy Black / **Code 23117**



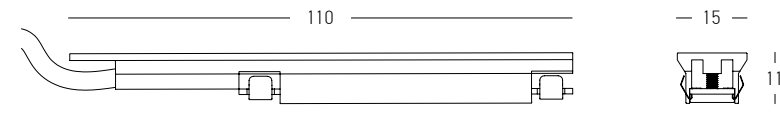
Power 8W
 Input 48V
 Color Temperature 3000K
 Lumen 553Lm
 Cri 90
 Dimensions Ø: 90mm H: 95mm
 Beam Angle 36°
 DALI Dimmable ☉
 Material Aluminium
 Special Feature 1200mm Cable Available
 Color Sandy Black / **Code 23116**





ACCESSORIES FOR 48V ULTRA SLIM MAGNETIC SYSTEM 15MM

FEEDER



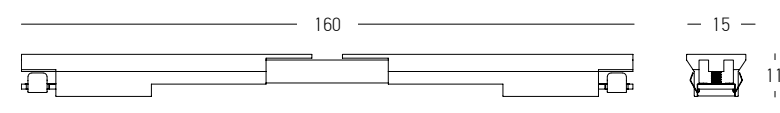
Dimensions L: 110mm W: 15mm H: 11mm
 Material Aluminium
 Special Feature 1500mm Available
 Color Sandy Black / **Code 23126**

STRAIGHT CONNECTOR



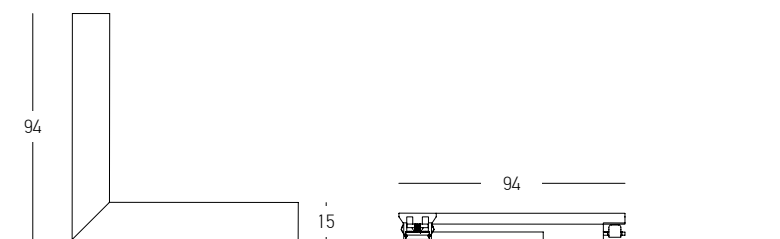
Dimensions L: 110mm W: 15mm H: 11mm
 Material Aluminium
 Color Sandy Black / **Code 23127**

FLEX CONNECTOR



Dimensions L: 160mm W: 15mm H: 11mm
 Material Aluminium
 Color Sandy Black / **Code 23128**

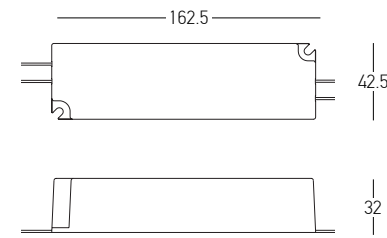
CORNER CONNECTOR



Dimensions L: 94mm W: 94mm H: 11mm
 Material Aluminium
 Color Sandy Black / **Code 23129**

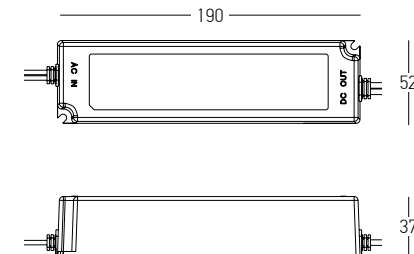
DRIVERS 48V FOR ULTRA SLIM MAGNETIC SYSTEM 15MM

REMOTE DRIVER 60W



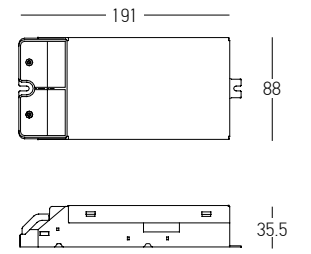
Input 220-240, 50-60Hz
 Output 48V
 Guarantee 5Years
 ON-OFF / **Code 20295**

REMOTE DRIVER 100W



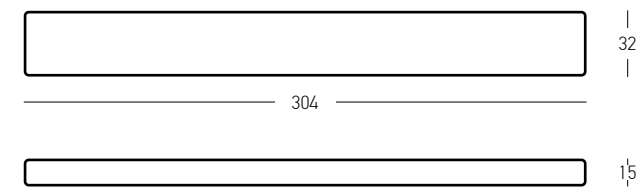
Input 220-240, 50-60Hz
 Output 48V
 Guarantee 5Years
 ON-OFF / **Code 20296**

REMOTE DRIVER 150W



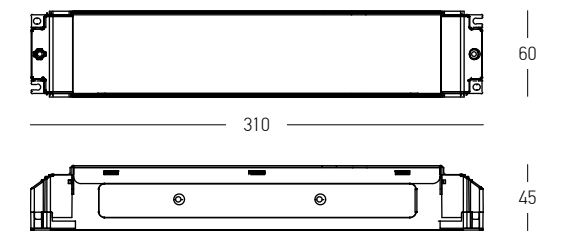
Input 220-240, 50-60Hz
 Output 48V
 Guarantee 5Years
 ON-OFF / **Code 20297**

INTEGRATED INTO TRACKS DRIVER 150W



Power 150W
 Input 220-240, 50-60Hz
 Output 48V
 Special Feature Integrated Into Track
 Color Black
 Guarantee 5Years
 ON-OFF / **Code 23159**

REMOTE DRIVER 200W



Power 200W
 Input 220-240, 50-60Hz
 Output 48V
 Guarantee 5Years
 DALI-PUSH BUTTON / **Code 23134**



CEILING BASE



Dimensions Ø: 80mm H: 35mm
 Material Metal
 Color Sandy Black / **Code 23280**

05. 24V MINI SURFACE MAGNETIC SYSTEM 11MM



SYSTEM REFERENCE



TRACK FORM

Linear



INSTALLATION

Surface



BODY COLOR

Black Matt



FIXTURE COLOR

Black Matt



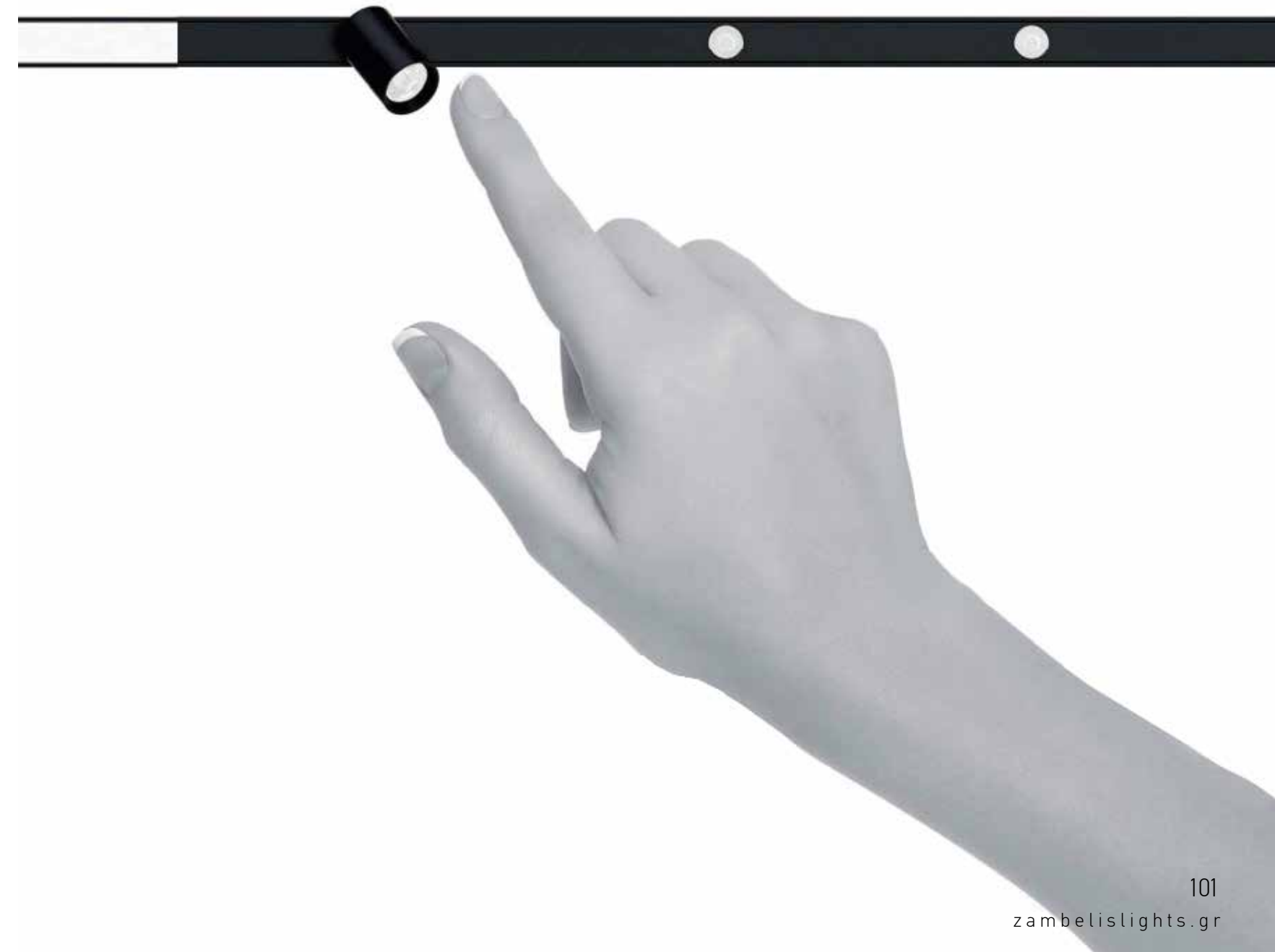


CRI>90, High Quality Light Output

Because ambient light produces colors differently, the Color Rendering Index (CRI) is used as reference. The CRI indicates the ratio by which the illuminated object or the illuminated area deviates from the maximum value of 100 (daylight). MINI TRACK has an impressively high CRI of 90, which means that it comes very close to natural light and is suitable for Color-sensitive applications such as display cases and special exhibition spaces. The material quality, feel, and Color authenticity of merchandise and artworks need to be rendered as accurately as possible to accentuate object's value. The especially small light surface of the LEDs and high light density allow the luminaires to perfectly reflect the three-dimensionality of amorphous surfaces. Products with a CRI of 90 are perfect for high-end sales floors and art settings.

R9>90, Closer to True Colors

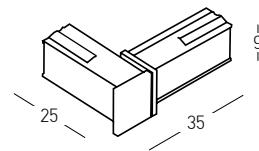
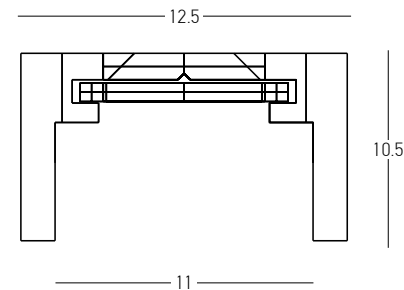
R9 is the index to present the color of Red. Red is a very important icon to many objects like photography, textiles, bones and skins. For human eyes, the red is a key reference to distinguish the real true colors. A higher R9 index can better present the true colors. MINI TRACK, with R9 higher than 90, can better present the world closer to true colors.



SURFACE MINI TRACK 11MM

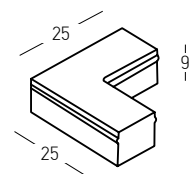
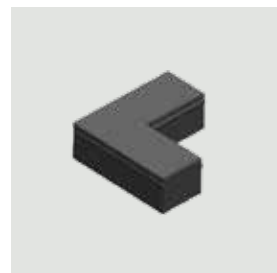


Track Code	Length	Color
22261	1.1m	Black Matt
22262	2.2m	Black Matt



SHOWCASE CORNER (22258)
VERTICAL-ROTATABLE

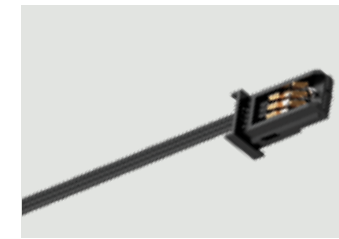
Corner Code	Installation	Color
22258	Vertical	Black Matt
22257	Horizontal	Black Matt



CORNER 90° (22257)
HORIZONTAL

ACCESSORIES FOR 24V MINI SURFACE MAGNETIC SYSTEM 11MM

FEEDER



Dimensions L: 2500mm Cable
Material Aluminium - Plastic Cable
Color Black Matt / Code 22260

INNER CONNECTOR



Dimensions L: 46mm W: 11mm H: 9mm
Material Plastic
Color Black Matt / Code 22260-I

SHOWCASE HOLDER



Dimensions Ø: 22mm H: 40mm
Material Plastic
Cutting Hole Ø: 18mm
Surface Thickness 8-30mm
Color Black Matt / Code 22263

REMOTE DRIVERS FOR 24V MINI SURFACE MAGNETIC SYSTEM 11MM

REMOTE DRIVER 60W

Power 60W
Input 220-240V, 50/60Hz
Output 24V
Dimensions W: 3cm H: 1.8cm L: 35cm
DALI Dimming Push Button - DALI2
1 CHANNEL
Material Plastic
Special Feature IP 20
Color White / Code Xi24-60D

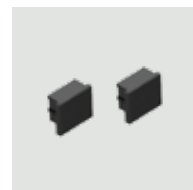
REMOTE DRIVER 100W

Power 100W
Input 220-240V, 50/60Hz
Output 24V
Dimensions W: 3cm H: 1.8cm L: 35cm
DALI Dimming Push Button - DALI2
1 CHANNEL
Material Plastic
Special Feature IP 20
Color White / Code Xi24-100D

REMOTE DRIVER 200W

Power 200W
Input 220-240V, 50/60Hz
Output 24V
Dimensions W: 4cm H: 2.2cm L: 40cm
DALI Dimming Push Button - DALI2
1 CHANNEL
Material Plastic
Special Feature IP 20
Color White / Code Xi24-200D

ACCESSORIES FOR 24V MINI SURFACE MAGNETIC SYSTEM 11MM



END CAPS
Dimensions L: 5mm W: 12.5mm H: 10.5mm
Material Plastic
Color Black Matt / Code 22260-E



BLIND COVER
Dimensions L: 100mm W: 11mm H: 9mm
Material Aluminium
Color Black Matt / Code 22259



MAGNETIC SURFACE CLIP
Dimensions L: 25mm W: 12.5mm H: 12mm
Material Stainless Steel
Code 22264



SURFACE CLIP WITH SCREW
Dimensions L: 25mm W: 12.5mm H: 12mm
Material Stainless Steel
Code 22265



One shop, One light...

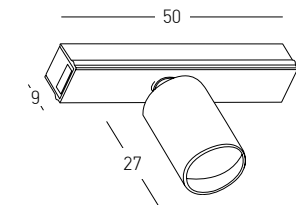
There are many lighting types in retail lighting design, such as general lighting, accent lighting, and task lighting. Is it possible to use one light fixture to solve all the lighting requirements?

Yes, it is MINI SURFACE MAGNETIC SYSTEM.

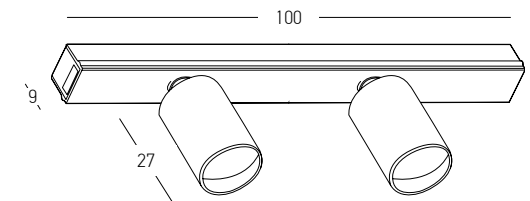
The light designer could use it in various possibilities.



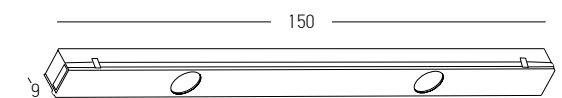
Power	1.5W
Input	24V
Color Temperature	3000K
Lumen	80Lm
Cri	97
Dimensions	L: 50mm W: 11mm H: 36mm
Spot	Ø: 15mm H: 27mm
Beam Angle	20°
DALI Dimmable	☉
Material	Aluminium - Acrylic
Special Feature	Movable Spot
Color	Black Matt / Code 22251



Power	2.6W
Input	24V
Color Temperature	3000K
Lumen	160Lm
Cri	97
Dimensions	L: 100mm W: 11mm H: 36mm
Spots	Ø: 15mm H: 27mm
Beam Angle	20°
DALI Dimmable	☉
Material	Aluminium - Acrylic
Special Feature	Movable Spots
Color	Black Matt / Code 22252



Power	2.5W
Input	24V
Color Temperature	3000K
Lumen	150Lm
Cri	97
Dimensions	L: 150mm W: 11mm H: 9mm
Beam Angle	30°
DALI Dimmable	☉
Material	Aluminium - Acrylic
Color	Black Matt / Code 22253

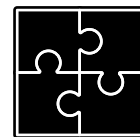




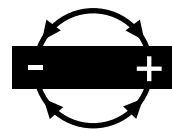
Mini Linear Light

Mini Fix Spots

Mini Adjustable Eyes



Free combination



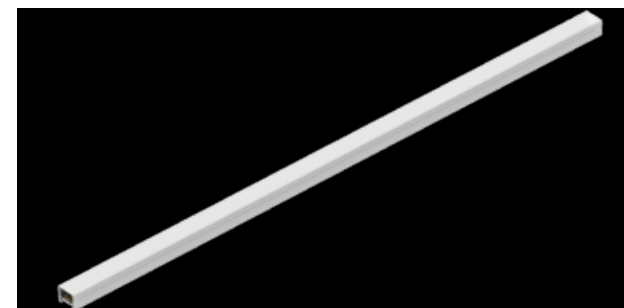
Polarized free



Power	2.4W
Input	24V
Color Temperature	3000K
Lumen	210Lm
Cri	93
Dimensions	L: 150mm W: 11mm H: 9mm
Beam Angle	125°
DALI Dimmable	☉
Material	Aluminium - Acrylic
Color	Opal White / Code 22254



Power	4.8W
Input	24V
Color Temperature	3000K
Lumen	420Lm
Cri	93
Dimensions	L: 300mm W: 11mm H: 9mm
Beam Angle	125°
DALI Dimmable	☉
Material	Aluminium - Acrylic
Color	Opal White / Code 22255



Power	9.6W
Input	24V
Color Temperature	3000K
Lumen	830Lm
Cri	93
Dimensions	L: 600mm W: 11mm H: 9mm
Beam Angle	125°
DALI Dimmable	☉
Material	Aluminium - Acrylic
Color	Opal White / Code 22256

06. 48V LINEAR MAGNETIC SYSTEM



SYSTEM REFERENCE



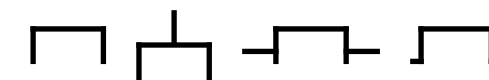
TRACK FORM

Linear



INSTALLATION

Surface | Pendant | Trimless | Recessed



BODY COLOR

Sandy Black | Sandy White | Golden Brass | Silver Black



FIXTURE COLOR

Sandy Black | Sandy White | Golden Brass | Silver Black



REFERENCE CODE | TRIMLESS, SURFACE & PENDANT INSTALLATION

T: TRIMLESS
S: SURFACE

T/S: 22269 Integrated Driver

T: 2083B-CROSS Cross Connector
S: 2082B-CROSS Cross Connector
T/S: 20113 Cross Flex Connector

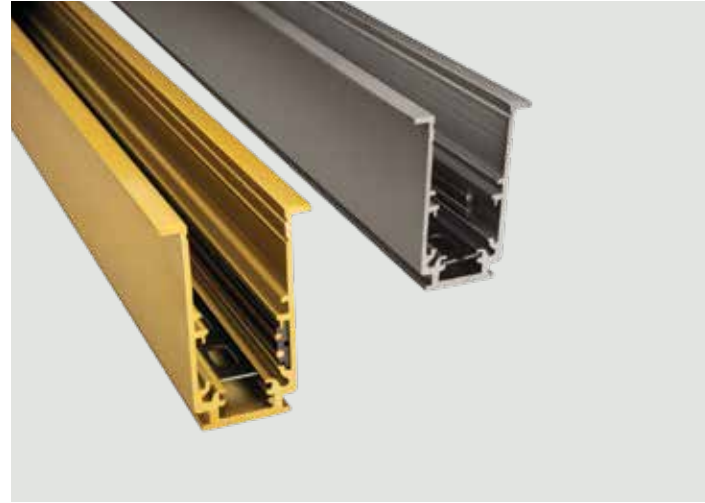
T/S: 20107 PC Cover

T: 2083B-T "T" Connector
S: 2082B-T "T" Connector
T/S: 20112 "T" Flex Connector

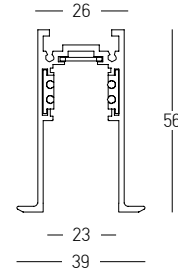
T: 2083B-C1 Vertical Corner
S: 2082B-C1 Vertical Corner
T/S: 20105 Flex Connector

T: 2083B-C2 Horizontal Corner
S: 2082B-C2 Horizontal Corner
T/S: 20104 Corner Connector

RECESSED TRACK 23MM



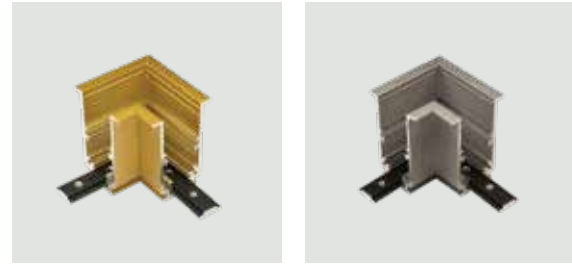
Track Code	Length	Color
2084G-1	1m	Golden Brass
2084NCK-1	1m	Silver Black
2084G-2	2m	Golden Brass
2084NCK-2	2m	Silver Black
2084G-3	3m	Golden Brass
2084NCK-3	3m	Silver Black



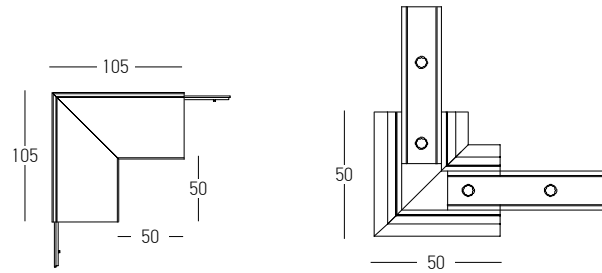
CORNER 90° (C1)
VERTICAL

Corner Code	Installation	Color
2084G-C1	Vertical	Golden Brass
2084NCK-C1	Vertical	Silver Black
2084G-C2	Horizontal	Golden Brass
2084NCK-C2	Horizontal	Silver Black

Notice : For corner type C1 it is also required to order 20105 and for type C2, 20104



CORNER 90° (C2)
HORIZONTAL



CORNER 90° (C1)

CORNER 90° (C2)

ACCESSORIES FOR RECESSED TRACK 23MM



End Cap
Material Metal
Color Golden Brass / Code 20108-G
Color Silver Black / Code 20108-NCK

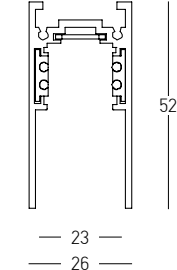


Recessed Accessorie Kit (2pcs)
Material Stainless Steel
Code 20106

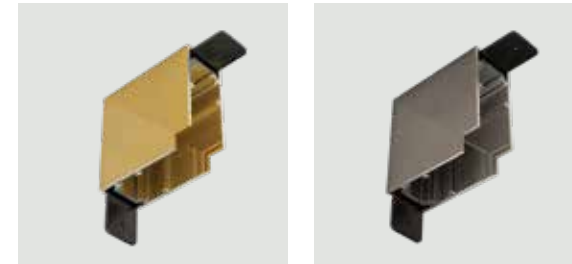
SURFACE | PENDANT TRACK 23MM



Track Code	Length	Color
2082G-1	1m	Golden Brass
2082NCK-1	1m	Silver Black
2082G-2	2m	Golden Brass
2082NCK-2	2m	Silver Black
2082G-3	3m	Golden Brass
2082NCK-3	3m	Silver Black



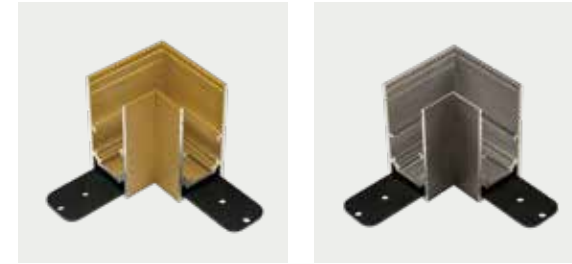
Suspension Kit (2pcs)
Adjustable Wire 2m
Aluminium
Code 20102-B



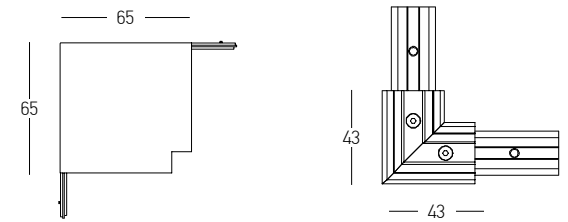
CORNER 90° (C1)
VERTICAL

Corner Code	Installation	Color
2082G-C1	Vertical	Golden Brass
2082NCK-C1	Vertical	Silver Black
2082G-C2	Horizontal	Golden Brass
2082NCK-C2	Horizontal	Silver Black

Notice : For corner type C1 it is also required to order 20105 and for type C2, 20104



CORNER 90° (C2)
HORIZONTAL



CORNER 90° (C1)

CORNER 90° (C2)

ACCESSORIES FOR SURFACE | PENDANT TRACK 23MM



End Cap
Material Plastic
Color Golden Brass / Code 2098-G
Color Silver Black / Code 2098-NCK



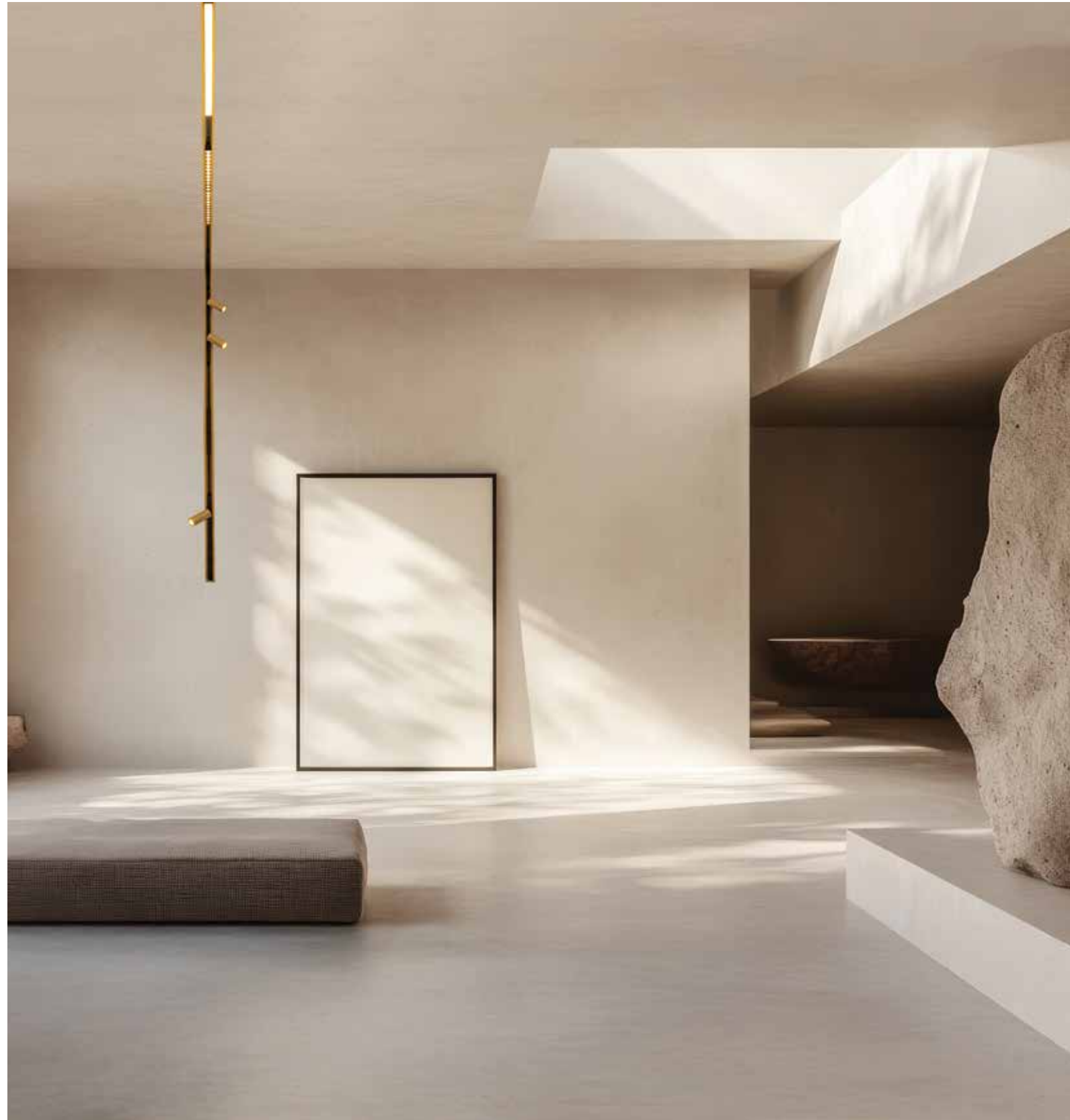
Surface Mounted Kit (2pcs)
Material Stainless Steel
Code 2082SP



Straight Mechanic Connector
Material Aluminium
Code 2097-B



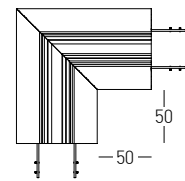
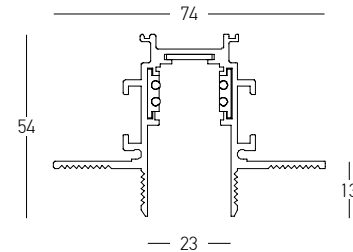
PC Cover 3m
Material Plastic
Color Black Matt / Code 20107



TRIMLESS TRACK 23MM



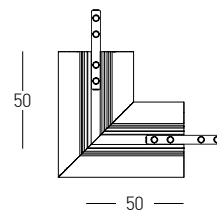
Track Code	Length	Color
2083B-1	1m	Sandy Black
2083W-1	1m	Sandy White
2083B-2	2m	Sandy Black
2083W-2	2m	Sandy White
2083B-3	3m	Sandy Black
2083W-3	3m	Sandy White



CORNER 90° (C1)
VERTICAL

Corner Code	Installation	Color
2083B-C1	Vertical	Sandy Black
2083W-C1	Vertical	Sandy White
2083B-C2	Horizontal	Sandy Black
2083W-C2	Horizontal	Sandy White

Notice : For corner type C1 it is also required to order 20105 and for type C2, 20104



CORNER 90° (C2)
HORIZONTAL



"T" CONNECTOR
Dimensions: 200x123mm
Code 2083B-T



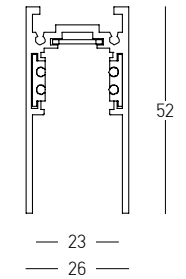
CROSS CONNECTOR
Dimensions: 200x200mm
Code 2083B-CROSS

Notice : For "T" connector it is also required to order 20112
Notice : For cross connector it is also required to order 20113

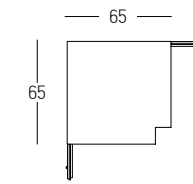
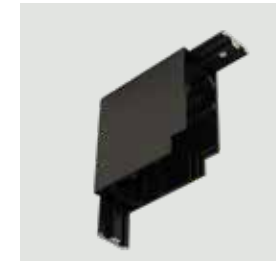
SURFACE | PENDANT TRACK 23MM



Track Code	Length	Color
2082B-1	1m	Sandy Black
2082W-1	1m	Sandy White
2082B-2	2m	Sandy Black
2082W-2	2m	Sandy White
2082B-3	3m	Sandy Black
2082W-3	3m	Sandy White



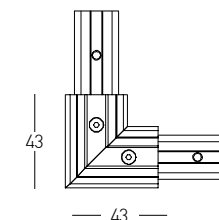
Suspension Kit (2pcs)
Adjustable Wire 2m
Aluminium
Code 20102-B



CORNER 90° (C1)
VERTICAL

Corner Code	Installation	Color
2082B-C1	Vertical	Sandy Black
2082W-C1	Vertical	Sandy White
2082B-C2	Horizontal	Sandy Black
2082W-C2	Horizontal	Sandy White

Notice : For corner type C1 it is also required to order 20105 and for type C2, 20104



CORNER 90° (C2)
HORIZONTAL



"T" CONNECTOR
Dimensions: 200x123mm
Code 2082B-T



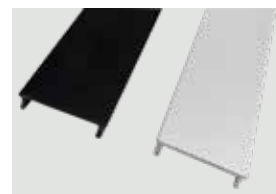
CROSS CONNECTOR
Dimensions: 200x200mm
Code 2082B-CROSS

Notice : For "T" connector it is also required to order 20112
Notice : For cross connector it is also required to order 20113

ACCESSORIES FOR TRIMLESS TRACK 23MM



End Cap
Material Plastic
Color Black / Code 2099-B
Color White / Code 2099-W



PC Cover 3m
Material Plastic
Color Black Matt / Code 20107
Color White Matt / Code 20107-W

ACCESSORIES FOR SURFACE | PENDANT TRACK 23MM



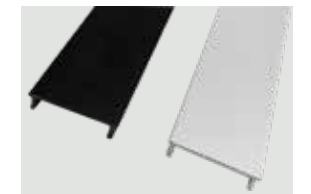
End Cap
Material Plastic
Color Black / Code 2098-B
Color White / Code 2098-W



Surface Mounted Kit (2pcs)
Material Stainless Steel
Code 2082SP



Straight Mechanic Connector
Material Aluminium
Code 2097-B

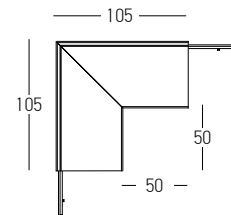
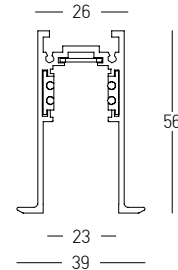


PC Cover 3m
Material Plastic
Color Black Matt / Code 20107
Color White Matt / Code 20107-W

RECESSED TRACK 23MM



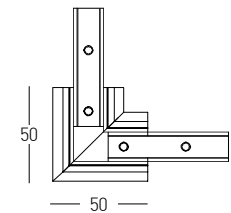
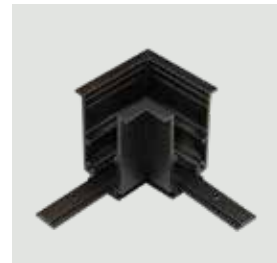
Track Code	Length	Color
2084B-1	1m	Sandy Black
2084W-1	1m	Sandy White
2084B-2	2m	Sandy Black
2084W-2	2m	Sandy White
2084B-3	3m	Sandy Black
2084W-3	3m	Sandy White



CORNER 90° (C1)
VERTICAL

Corner Code	Installation	Color
2084B-C1	Vertical	Sandy Black
2084W-C1	Vertical	Sandy White
2084B-C2	Horizontal	Sandy Black
2084W-C2	Horizontal	Sandy White

Notice : For corner type C1 it is also required to order 20105 and for type C2, 20104

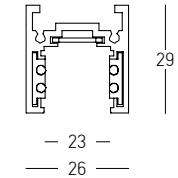


CORNER 90° (C2)
HORIZONTAL

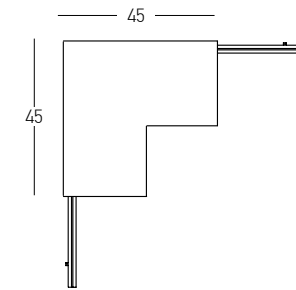
SURFACE | PENDANT SHORT TRACK 23MM



Track Code	Length	Color
2085B-1	1m	Sandy Black
2085W-1	1m	Sandy White
2085B-2	2m	Sandy Black
2085W-2	2m	Sandy White
2085B-3	3m	Sandy Black
2085W-3	3m	Sandy White



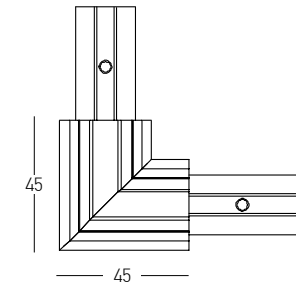
Suspension Kit (2pcs)
Adjustable Wire 2m
Aluminium
Code 20102



CORNER 90° (C1)
VERTICAL

Corner Code	Installation	Color
2085B-C1	Vertical	Sandy Black
2085W-C1	Vertical	Sandy White
2085B-C2	Horizontal	Sandy Black
2085W-C2	Horizontal	Sandy White

Notice : For corner type C1 it is also required to order 20105 and for type C2, 20104



CORNER 90° (C2)
HORIZONTAL

ACCESSORIES FOR RECESSED TRACK 23MM



End Cap
Material Metal
Color Black / **Code 20108-1B**
Color White / **Code 20108-1W**



End Cap
Material Metal
Color Black / **Code 20108-B**
Color White / **Code 20108-W**



Recessed Accessorie Kit (2pcs)
Material Stainless Steel
Code 20106

ACCESSORIES FOR SURFACE | PENDANT SHORT TRACK 23MM

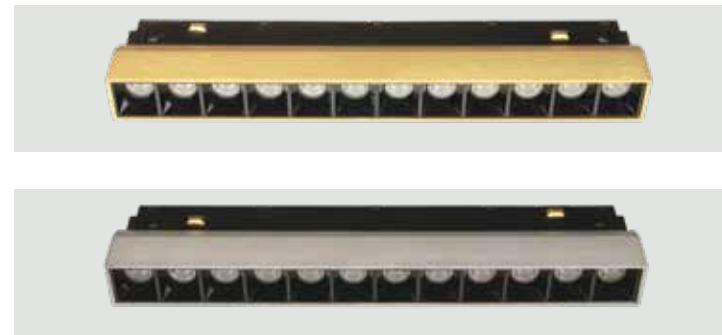


End Cap
Material Plastic
Color Black / **Code 20101-B**
Color White / **Code 20101-W**

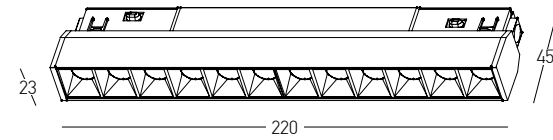


Straight Mechanic Connector
Material Aluminium
Code 2097





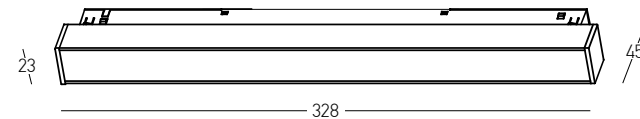
OSRAM



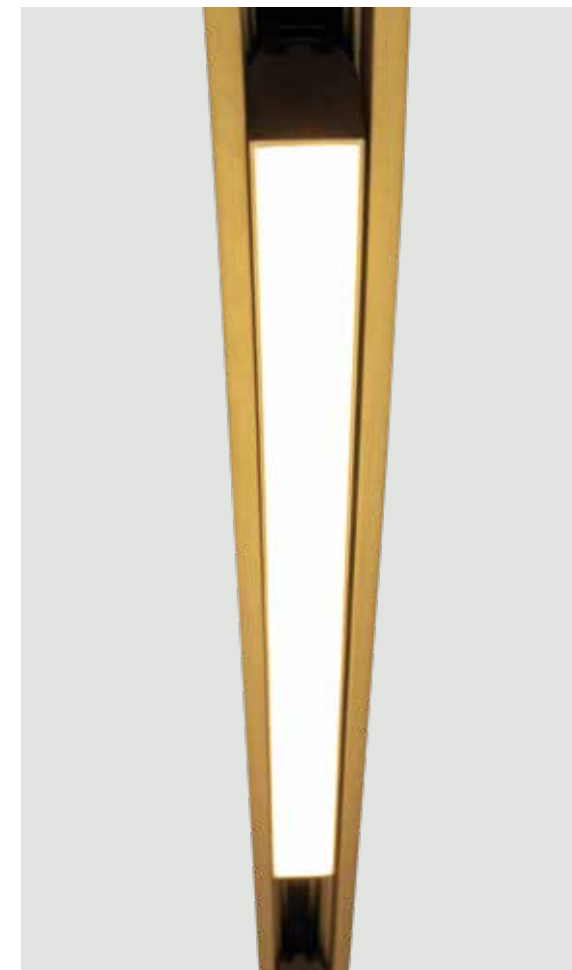
Power 8W
 Input 48V
 Color Temperature 2700K | 3000K | 4000K
 Lumen 605Lm | 693Lm | 713Lm
 Cri 90
 Dimensions L: 220mm W: 23mm H: 45mm
 Beam Angle 30°
 DALI Dimmable
 Material Aluminium - Acrylic
 Color Golden Brass / **Code 25354**
 Color Silver Black / **Code 25355**



OSRAM

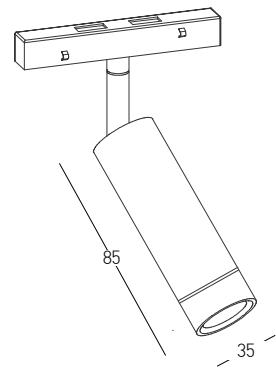


Power 13W
 Input 48V
 Color Temperature 2700K | 3000K | 4000K
 Lumen 673Lm | 779Lm | 812Lm
 Cri 90
 Dimensions L: 328mm W: 23mm H: 45mm
 Beam Angle 120°
 DALI Dimmable
 Material Aluminium - PC Diffuser
 Color Golden Brass / **Code 25356**
 Color Silver Black / **Code 25357**





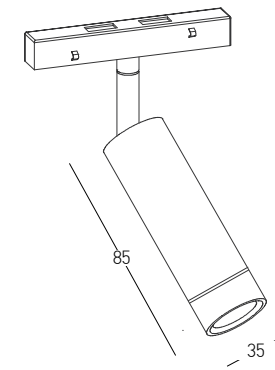
CREE ⇄



Power 6W
 Input 48V
 Color Temperature 2700K | 3000K | 4000K
 Lumen 360Lm | 410Lm | 435Lm
 Cri 90
 Dimensions Ø: 35mm H: 85mm
 Beam Angle 24°
 DALI Dimmable
 Material Aluminium
 Color Golden Brass / **Code 25352**
 Color Silver Black / **Code 25353**



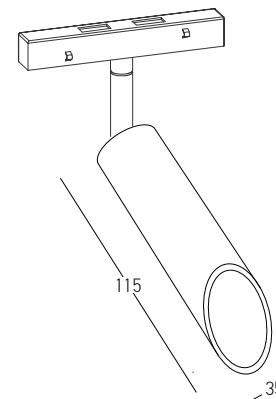
CREE ⇄



Power 6W
 Input 48V
 Color Temperature 2700K | 3000K | 4000K
 Lumen 360Lm | 410Lm | 435Lm
 Cri 90
 Dimensions Ø: 35mm H: 85mm
 Beam Angle 24°
 DALI Dimmable
 Material Aluminium
 Color Golden Brass / **Code 25475**
 Color Silver Black / **Code 25476**



CREE ⇄

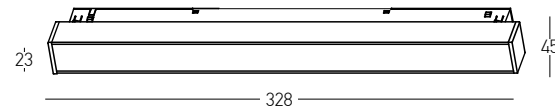


Power 6W
 Input 48V
 Color Temperature 2700K | 3000K | 4000K
 Lumen 360Lm | 410Lm | 435Lm
 Cri 90
 Dimensions Ø: 35mm H: 115mm
 Beam Angle 24°
 DALI Dimmable
 Material Aluminium
 Color Golden Brass / **Code 25473**
 Color Sandy Black / **Code 25474**





OSRAM

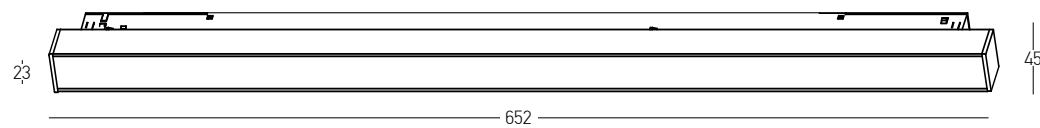


Power	13W
Input	48V
Color Temperature	3000K
Lumen	779Lm
Cri	90
Dimensions	L: 328mm W: 23mm H: 45mm
Beam Angle	120°
DALI Dimmable	☉
Material	Aluminium - PC Diffuser
Color	Sandy Black / Code 2087

Power	13W
Input	48V
Color Temperature	3000K
Lumen	779Lm
Cri	90
Dimensions	L: 328mm W: 23mm H: 45mm
Beam Angle	120°
Non Dimmable	☒
Material	Aluminium - PC Diffuser
Color	Sandy Black / Code 2086



OSRAM



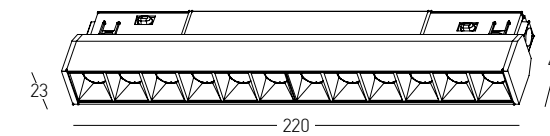
Power	20W
Input	48V
Color Temperature	2700K 3000K 4000K
Lumen	1324Lm 1383Lm 1411Lm
Cri	90
Dimensions	L: 652mm W: 23mm H: 45mm
Beam Angle	120°
DALI Dimmable	☉
Material	Aluminium - PC Diffuser
Color	2700K Sandy Black / Code 2089-27B
Color	3000K Sandy Black / Code 2089
Color	4000K Sandy Black / Code 2089-4B

Power	20W
Input	48V
Color Temperature	3000K
Lumen	1383Lm
Cri	90
Dimensions	L: 652mm W: 23mm H: 45mm
Beam Angle	120°
Non Dimmable	☒
Material	Aluminium - PC Diffuser
Color	Sandy Black / Code 2088





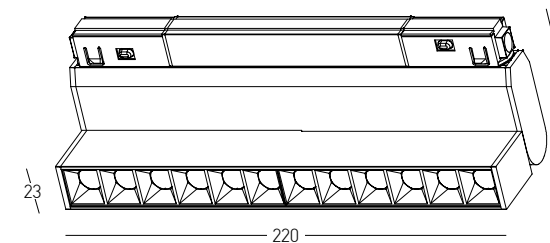
OSRAM



Power 8W
 Input 48V
 Color Temperature 2700K | 3000K | 4000K
 Lumen 675Lm | 693Lm | 713Lm
 Cri 90
 Dimensions L: 220mm W: 23mm H: 45mm
 Beam Angle 30°
 DALI Dimmable
 Material Aluminium - Acrylic
 Color 2700K Sandy Black / **Code 2091-27B**
 Color 3000K Sandy Black / **Code 2091**
 Color 4000K Sandy Black / **Code 2091-4B**



OSRAM



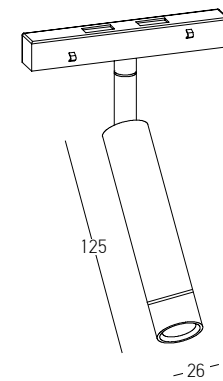
Power 12W
 Input 48V
 Color Temperature 3000K
 Lumen 1021Lm
 Cri 90
 Dimensions L: 220mm W: 23mm H: 53mm
 Beam Angle 30°
 DALI Dimmable
 Material Aluminium - Acrylic
 Color Sandy Black / **Code 20291**

Power 12W
 Input 48V
 Color Temperature 3000K
 Lumen 1021Lm
 Cri 90
 Dimensions L: 220mm W: 23mm H: 53mm
 Beam Angle 30°
 Non Dimmable
 Material Aluminium - Acrylic
 Color Sandy Black / **Code 20290**



Power 5W
 Input 48V
 Color Temperature 3000K
 Lumen 414Lm
 Cri 90
 Dimensions Ø: 26mm H: 125mm
 Beam Angle 24°
 DALI Dimmable
 Material Aluminium
 Color Sandy Black / **Code 2094**

CREE

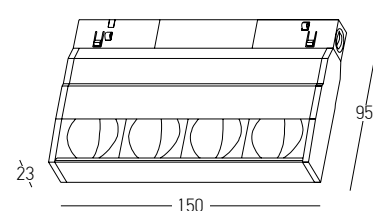


Power 5W
 Input 48V
 Color Temperature 3000K
 Lumen 414Lm
 Cri 90
 Dimensions Ø: 26mm H: 125mm
 Beam Angle 24°
 Non Dimmable
 Material Aluminium
 Color Sandy Black / **Code 2093**



Power 10W
 Input 48V
 Color Temperature 3000K
 Lumen 945Lm
 Cri 90
 Dimensions L: 150mm W: 23mm H: 95mm
 Beam Angle Asymmetric 50°
 DALI Dimmable
 Material Aluminium - Acrylic
 Color Sandy Black / **Code 2092-D**

OSRAM



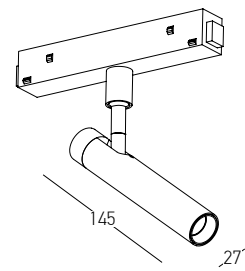
Power 10W
 Input 48V
 Color Temperature 3000K
 Lumen 945Lm
 Cri 90
 Dimensions L: 150mm W: 23mm H: 95mm
 Beam Angle Asymmetric 50°
 Non Dimmable
 Material Aluminium - Acrylic
 Color Sandy Black / **Code 2092**





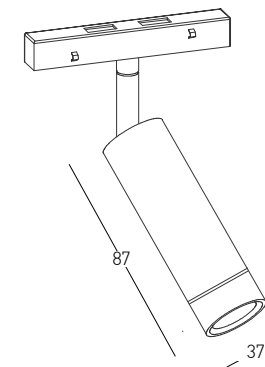
OSRAM

Power 5W
 Input 48V
 Color Temperature 3000K
 Lumen 363Lm
 Cri 80
 Dimensions Ø: 27mm H: 145mm
 Beam Angle 24°
 Non Dimmable ☒
 Material Aluminium
 Color Sandy Black / **Code 20179**
 Color Gold / **Code 20180**



CREE

Power 7W
 Input 48V
 Color Temperature 2700K | 3000K
 Lumen 565Lm | 580Lm
 Cri 90
 Dimensions Ø: 37mm H: 87mm
 Beam Angle 32°
 DALI Dimmable ☉
 Material Aluminium
 Color 3000K Sandy Black / **Code 20400-BD**
 Color 2700K Sandy Black / **Code 20407-BD**

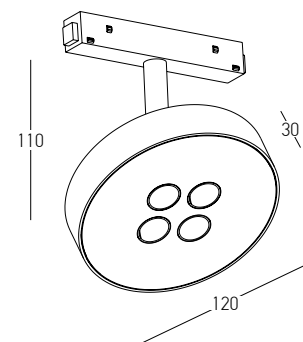


Power 7W
 Input 48V
 Color Temperature 3000K | 4000K
 Lumen 580Lm | 605Lm
 Cri 90
 Dimensions Ø: 37mm H: 87mm
 Beam Angle 32°
 Non Dimmable ☒
 Material Aluminium
 Color 3000K Sandy Black / **Code 20402-B**
 Color 4000K Sandy Black / **Code 20406**



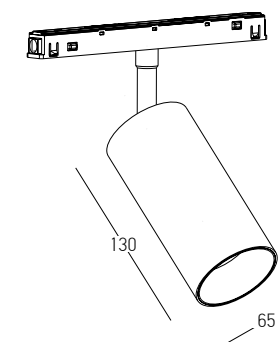
OSRAM

Power 12W
 Input 48V
 Color Temperature 3000K
 Lumen 763Lm
 Cri 80
 Dimensions Ø: 120mm H: 110mm
 Beam Angle 38°
 Non Dimmable ☒
 Material Aluminium
 Color Sandy Black / **Code 20177**
 Color Sandy White / **Code 20178**



CREE

Power 15W
 Input 48V
 Color Temperature 3000K | 4000K
 Lumen 1284Lm | 1312Lm
 Cri 90
 Dimensions Ø: 65mm H: 130mm
 Beam Angle 24°
 DALI Dimmable ☉
 Material Aluminium
 Color 3000K Sandy Black / **Code 20413**
 Color 4000K Sandy Black / **Code 20415**

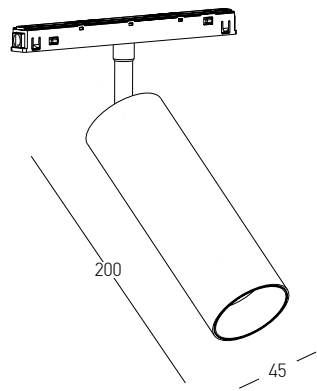


Power 15W
 Input 48V
 Color Temperature 3000K | 4000K
 Lumen 1284Lm | 1312Lm
 Cri 90
 Dimensions Ø: 65mm H: 130mm
 Beam Angle 24°
 Non Dimmable ☒
 Material Aluminium
 Color 3000K Sandy Black / **Code 20410**
 Color 4000K Sandy Black / **Code 20411**

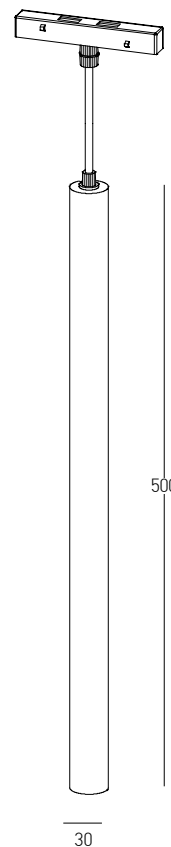


CREE ⇄

Power 15W
 Input 48V
 Color Temperature 3000K
 Lumen 1225Lm
 Cri 90
 Dimensions Ø: 45mm H: 200mm
 Beam Angle 24°
 DALI Dimmable ☉
 Material Aluminium
 Color Sandy Black / **Code 2095-D**



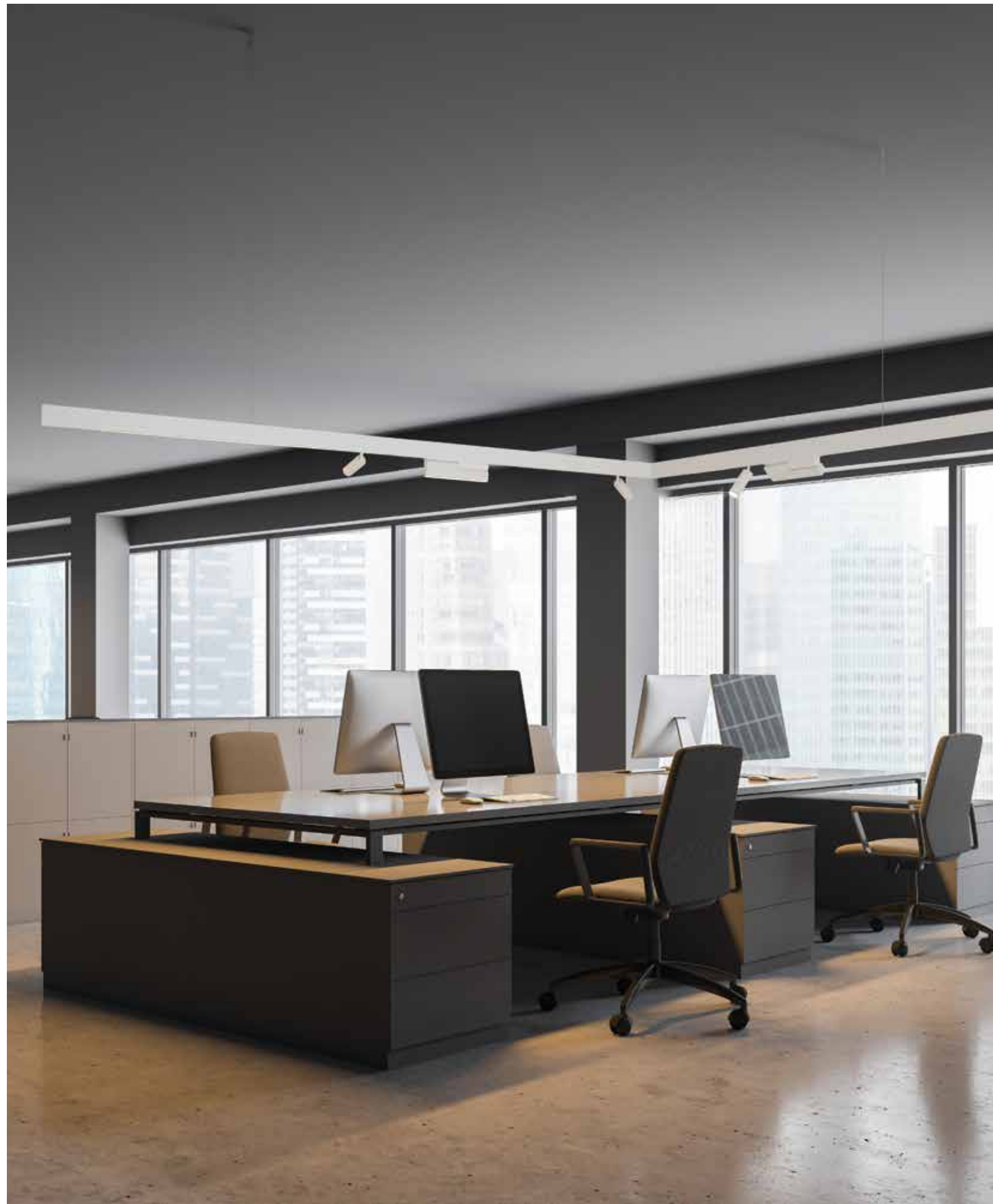
Power 15W
 Input 48V
 Color Temperature 3000K
 Lumen 1225Lm
 Cri 90
 Dimensions Ø: 45mm H: 200mm
 Beam Angle 24°
 Non Dimmable ☒
 Material Aluminium
 Color Sandy Black / **Code 2095**



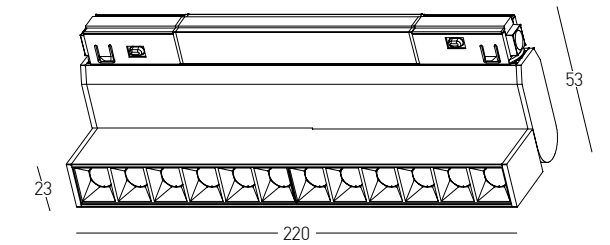
Power 7W
 Input 48V
 Color Temperature 3000K
 Lumen 431 Lm
 Cri 90
 Dimensions Ø: 30mm H: 500mm
 Beam Angle 24°
 DALI Dimmable ☉
 Material Aluminium
 Special Feature 1000mm Cable Adjustable
 Color Sandy Black / **Code 2081-D**
 Color Sandy White / **Code 2081-WD**

Power 7W
 Input 48V
 Color Temperature 3000K
 Lumen 431Lm
 Cri 90
 Dimensions Ø: 30mm H: 500mm
 Beam Angle 24°
 Non Dimmable ☒
 Material Aluminium
 Special Feature 1000mm Cable Adjustable
 Color Sandy Black / **Code 2081**
 Color Sandy White / **Code 2081-W**





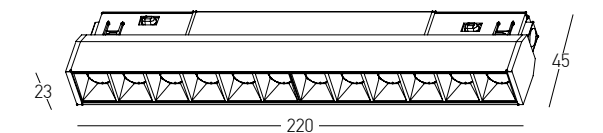
OSRAM



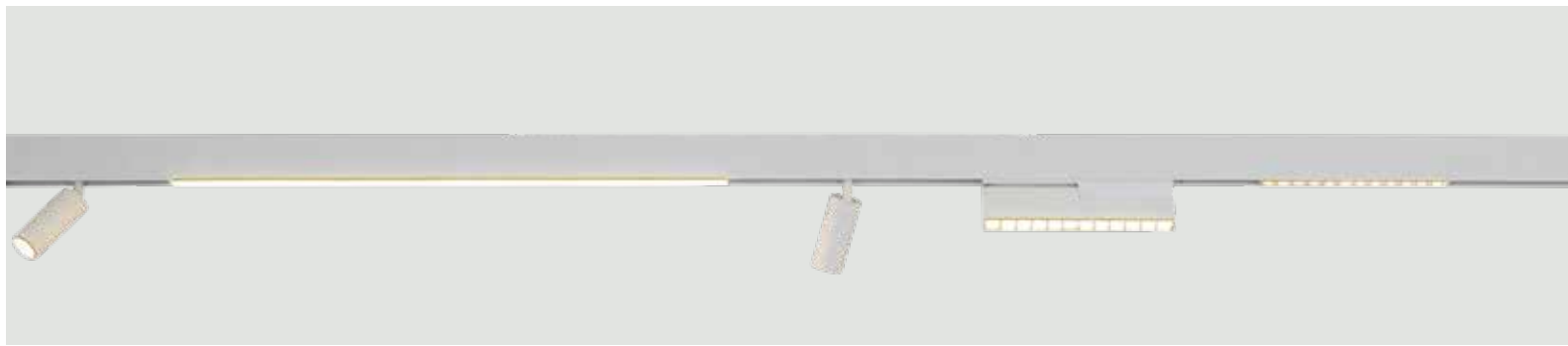
Power	12W
Input	48V
Color Temperature	3000K
Lumen	1021Lm
Cri	90
Dimensions	L: 220mm W: 23mm H: 53mm
Beam Angle	30°
DALI Dimmable	○
Material	Aluminium - Acrylic
Color	Sandy White / Code 20291-W



OSRAM

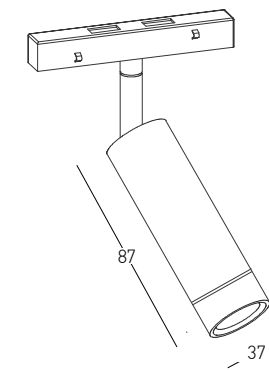


Power	8W
Input	48V
Color Temperature	3000K
Lumen	693Lm
Cri	90
Dimensions	L: 220mm W: 23mm H: 45mm
Beam Angle	30°
DALI Dimmable	○
Material	Aluminium - Acrylic
Color	Sandy White / Code 2091-3W

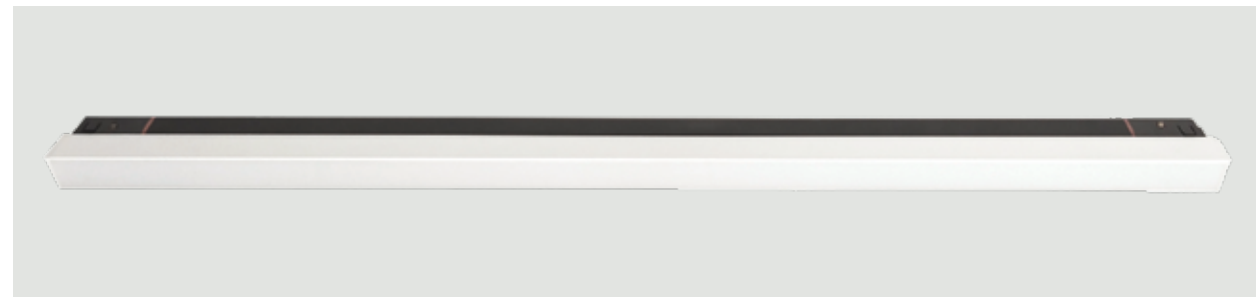


Power 7W
 Input 48V
 Color Temperature 3000K | 4000K
 Lumen 580Lm | 605Lm
 Cri 90
 Dimensions Ø: 37mm H: 87mm
 Beam Angle 32°
 DALI Dimmable
 Material Aluminium
 Color 3000K Sandy White / **Code 20401-WD**
 Color 4000K Sandy White / **Code 20404**

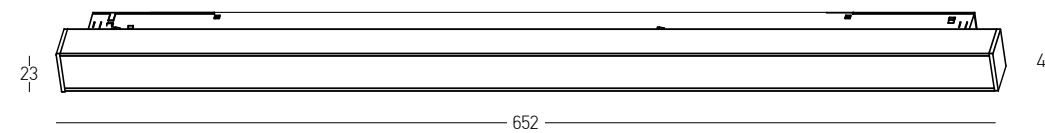
CREE ⇄



Power 7W
 Input 48V
 Color Temperature 3000K | 4000K
 Lumen 580Lm | 605Lm
 Cri 90
 Dimensions Ø: 37mm H: 87mm
 Beam Angle 32°
 Non Dimmable
 Material Aluminium
 Color 3000K Sandy White / **Code 20403-W**
 Color 4000K Sandy White / **Code 20405**



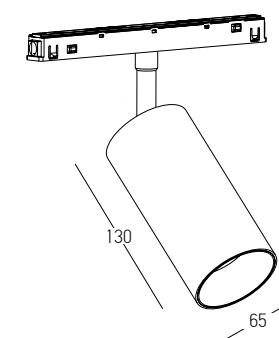
OSRAM



Power 20W
 Input 48V
 Color Temperature 3000K | 4000K
 Lumen 1383Lm | 1411Lm
 Cri 90
 Dimensions L: 652mm W: 23mm H: 45mm
 Beam Angle 120°
 DALI Dimmable
 Material Aluminium - PC Diffuser
 Color 3000K Sandy White / **Code 2089-3W**
 Color 4000K Sandy White / **Code 2089-4W**

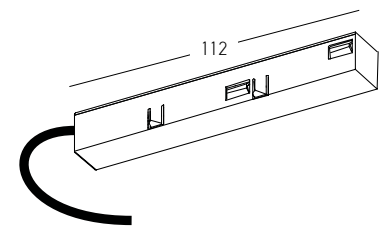


CREE ⇄

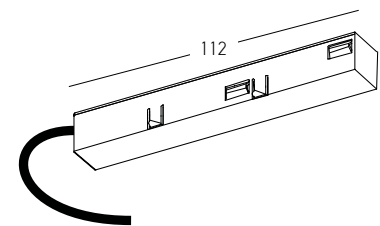


Power 15W
 Input 48V
 Color Temperature 3000K | 4000K
 Lumen 1284Lm | 1312Lm
 Cri 90
 Dimensions Ø: 65mm H: 130mm
 Beam Angle 24°
 DALI Dimmable
 Material Aluminium
 Color 3000K Sandy White / **Code 20412**
 Color 4000K Sandy White / **Code 20414**

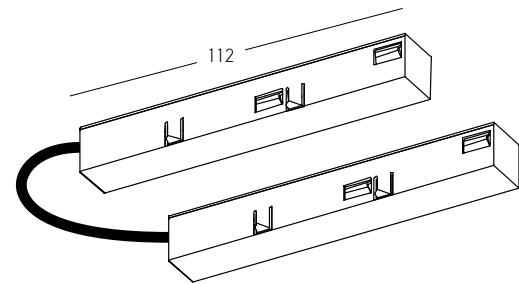
ACCESSORIES FOR 48V LINEAR MAGNETIC TRACKS



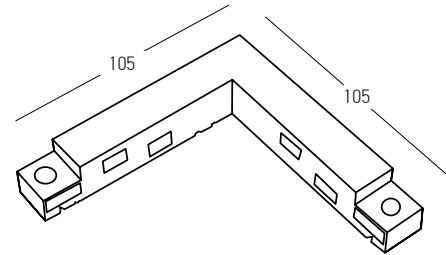
Feeder for 48V Magnetic Tracks
300mm Cable Available
Code 2096 / Color Black
Code 2096-W / Color White



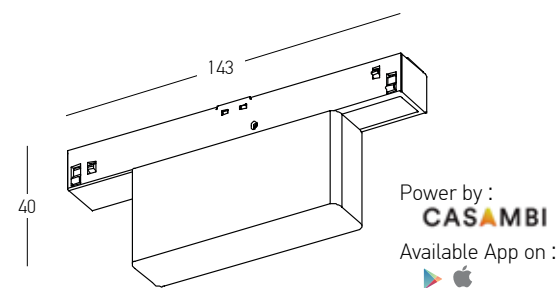
Feeder for 48V Magnetic Tracks
2000mm Cable Available
Code 2096-2M / Color Black
Code 2096-W2M / Color White



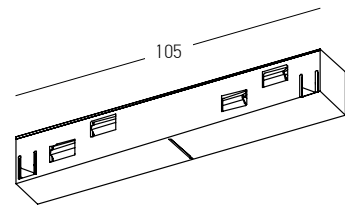
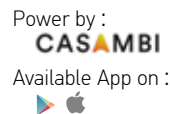
Flex Connector with Cable for 48V Magnetic Tracks
Code 20105 / Color Black
Code 20105-W / Color White



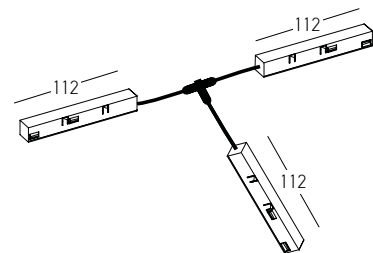
Corner Connector for 48V Magnetic Tracks
Code 20104 / Color Black
Code 20104-W / Color White



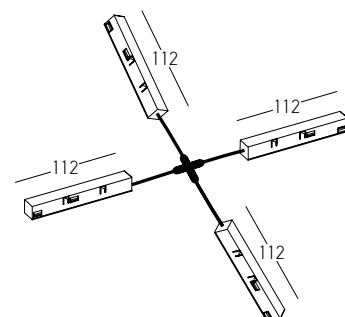
Wireless Control for 48V Magnetic Tracks
Bluetooth DALI
Code 20293



Inner Connector for 48V Magnetic Tracks
Code 20103 / Color Black
Code 20103-W / Color White



"T" Flex Connector with Cable for 48V Magnetic Tracks
Code 20112 / Color Black



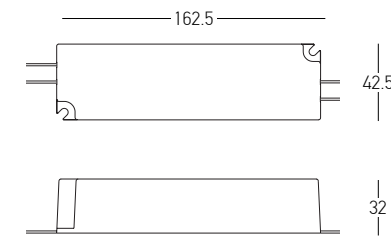
Cross Flex Connector with Cable for 48V Magnetic Tracks
Code 20113 / Color Black

*Dimensions Indicated In Millimeters

REMOTE DRIVERS FOR 48V LINEAR MAGNETIC TRACKS

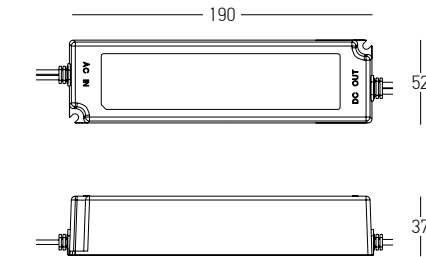
*Dimensions Indicated In Millimeters

REMOTE DRIVER 60W



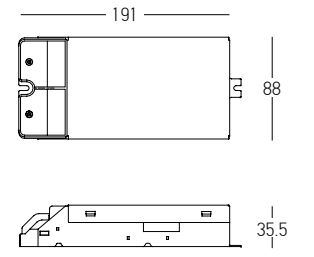
Input 220-240, 50-60Hz
Output 48V
Guarantee 5Years
ON-OFF / **Code 20295**
DALI KIT / **Code 20322**
PUSH BUTTON KIT / **Code 20300**
BLUETOOTH KIT / **Code 20303**

REMOTE DRIVER 100W



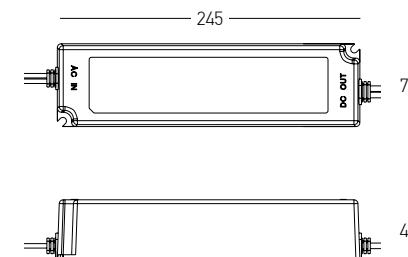
Input 220-240, 50-60Hz
Output 48V
Guarantee 5Years
ON-OFF / **Code 20296**
DALI KIT / **Code 20298**
PUSH BUTTON KIT / **Code 20301**
BLUETOOTH KIT / **Code 20304**

REMOTE DRIVER 150W



Input 220-240, 50-60Hz
Output 48V
Guarantee 5Years
ON-OFF / **Code 20297**
DALI KIT / **Code 20299**
PUSH BUTTON KIT / **Code 20302**
BLUETOOTH KIT / **Code 20305**

REMOTE DRIVER 240W

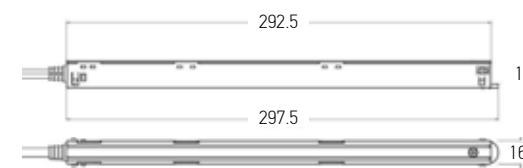


Input 220-240, 50-60Hz
Output 48V
Guarantee 5Years
ON-OFF / **Code 20323**
DALI KIT / **Code 20324**
PUSH BUTTON KIT / **Code 25481**
BLUETOOTH KIT / **Code 25482**

INTEGRATED DRIVERS FOR 48V LINEAR MAGNETIC TRACKS



MAGNETIC TRACK 2085

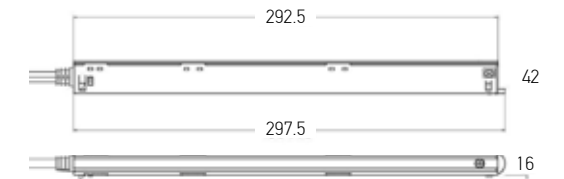


DALI Driver for Surface Magnetic Track

Push-Button Dimming is not Supported
Power 100W
Input 220-240, 50-60Hz
Output 48V
Special Feature Fully Integrated Into Track 2085 | 2082
Guarantee 5Years
Color Black / **Code 22269**
Color White / **Code 22269-W**

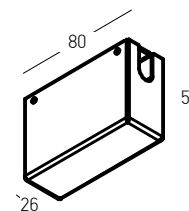


MAGNETIC TRACK 2082

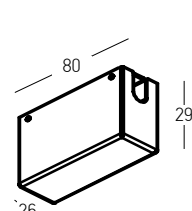


DALI Driver for Surface Magnetic Track

Push-Button Dimming is not Supported
Power 250W
Input 220-240, 50-60Hz
Output 48V
Special Feature Fully Integrated Into Track 2082
Guarantee 5Years
Color Black / **Code 22294**
Color White / **Code 22294-W**

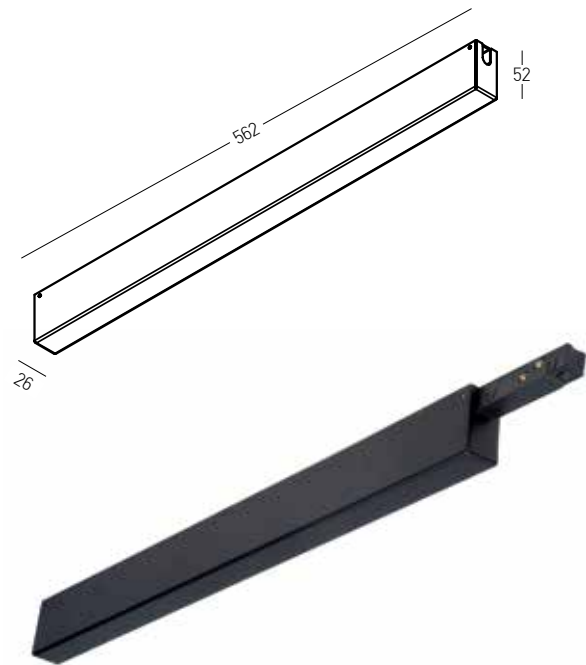


Ceiling Box for Cable Connection for 2082
Dimensions L: 80mm W: 26mm H: 52mm
Material Metal
Color Sandy Black / **Code 22290**
Color Sandy White / **Code 22291**



Ceiling Box for Cable Connection for 2085
Dimensions L: 80mm W: 26mm H: 29mm
Material Metal
Color Sandy Black / **Code 22292**
Color Sandy White / **Code 22293**

DRIVER BOX FOR CEILING APPLICATION



Surface Mount Base with Driver for Surface Magnetic Track

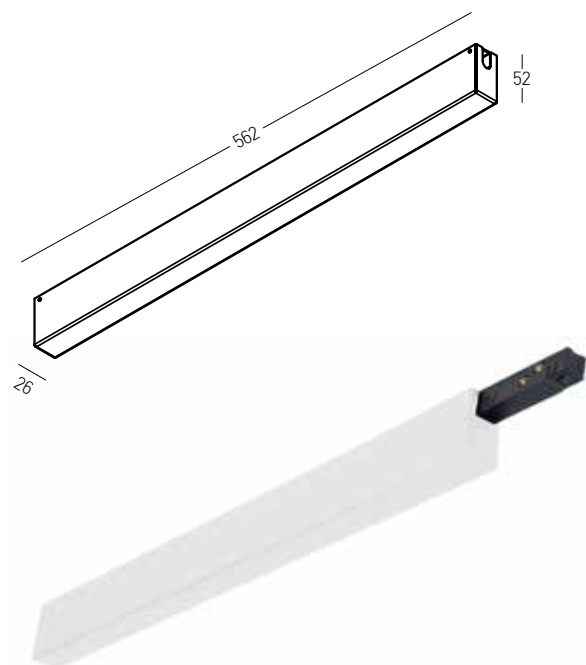
Power 100W
 Input 220-240, 50-60Hz
 Output 48V
 Special Feature Included 48V Feeder
 Color Sandy Black
 Guarantee 5Years

ON-OFF / **Code 20306-B**
 DALI KIT / **Code 20308-B**
 PUSH BUTTON KIT / **Code 20310-B**
 BLUETOOTH KIT / **Code 20312-B**

Surface Mount Base with Driver for Surface Magnetic Track

Power 200W
 Input 220-240, 50-60Hz
 Output 48V
 Special Feature Included 48V Feeder
 Color Sandy Black
 Guarantee 5Years

ON-OFF / **Code 20307-B**
 DALI KIT / **Code 20309-B**
 PUSH BUTTON KIT / **Code 20311-B**
 BLUETOOTH KIT / **Code 20313-B**



Surface Mount Base with Driver for Surface Magnetic Track

Power 100W
 Input 220-240, 50-60Hz
 Output 48V
 Special Feature Included 48V Feeder
 Color Sandy White
 Guarantee 5Years

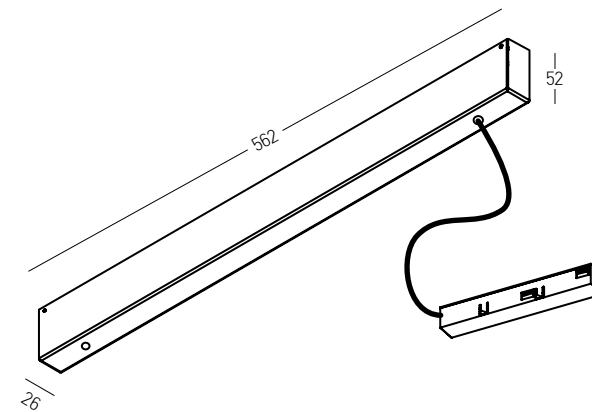
ON-OFF / **Code 20306-W**
 DALI KIT / **Code 20308-W**
 PUSH BUTTON KIT / **Code 20310-W**
 BLUETOOTH KIT / **Code 20312-W**

Surface Mount Base with Driver for Surface Magnetic Track

Power 200W
 Input 220-240, 50-60Hz
 Output 48V
 Special Feature Included 48V Feeder
 Color Sandy White
 Guarantee 5Years

ON-OFF / **Code 20307-W**
 DALI KIT / **Code 20309-W**
 PUSH BUTTON KIT / **Code 20311-W**
 BLUETOOTH KIT / **Code 20313-W**

DRIVER BOX FOR PENDANT APPLICATION



Pendant Base with Driver for Pendant Magnetic Track

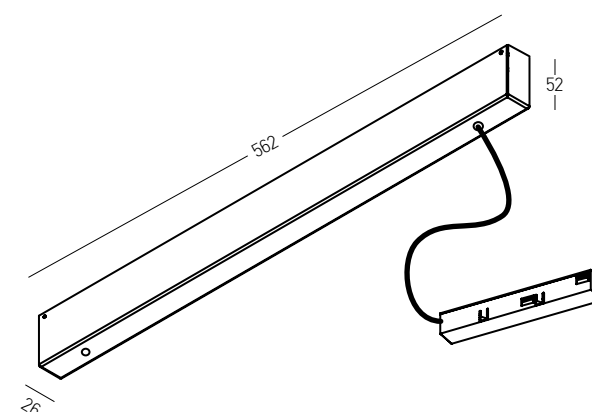
Power 100W
 Input 220-240, 50-60Hz
 Output 48V
 Special Feature 2000mm Cable Available - 48V Feeder
 Color Sandy Black
 Guarantee 5Years

ON-OFF / **Code 20314-B**
 DALI KIT / **Code 20316-B**
 PUSH BUTTON KIT / **Code 20318-B**
 BLUETOOTH KIT / **Code 20320-B**

Pendant Base with Driver for Pendant Magnetic Track

Power 200W
 Input 220-240, 50-60Hz
 Output 48V
 Special Feature 2000mm Cable Available - 48V Feeder
 Color Sandy Black
 Guarantee 5Years

ON-OFF / **Code 20315-B**
 DALI KIT / **Code 20317-B**
 PUSH BUTTON KIT / **Code 20319-B**
 BLUETOOTH KIT / **Code 20321-B**



Pendant Base with Driver for Pendant Magnetic Track

Power 100W
 Input 220-240, 50-60Hz
 Output 48V
 Special Feature 2000mm Cable Available - 48V Feeder
 Color Sandy White
 Guarantee 5Years

ON-OFF / **Code 20314-W**
 DALI KIT / **Code 20316-W**
 PUSH BUTTON KIT / **Code 20318-W**
 BLUETOOTH KIT / **Code 20320-W**

Pendant Base with Driver for Pendant Magnetic Track

Power 200W
 Input 220-240, 50-60Hz
 Output 48V
 Special Feature 2000mm Cable Available - 48V Feeder
 Color Sandy White
 Guarantee 5Years

ON-OFF / **Code 20315-W**
 DALI KIT / **Code 20317-W**
 PUSH BUTTON KIT / **Code 20319-W**
 BLUETOOTH KIT / **Code 20321-W**

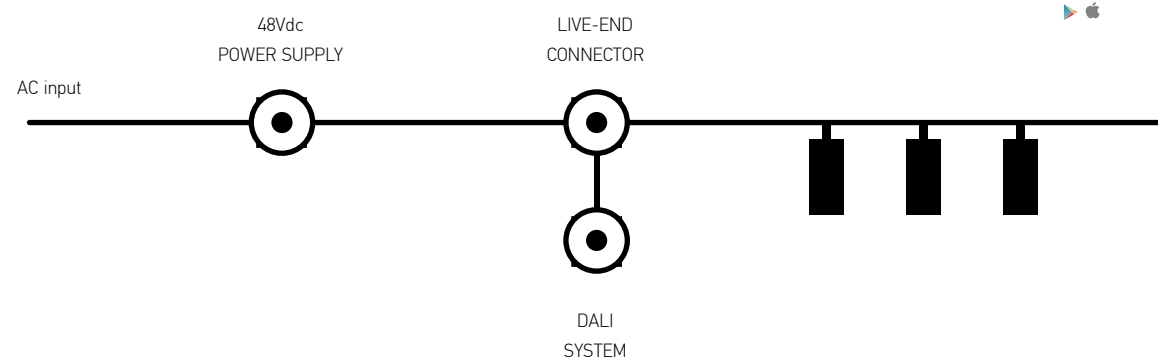


CASAMBI READY wireless control for DALI luminaires

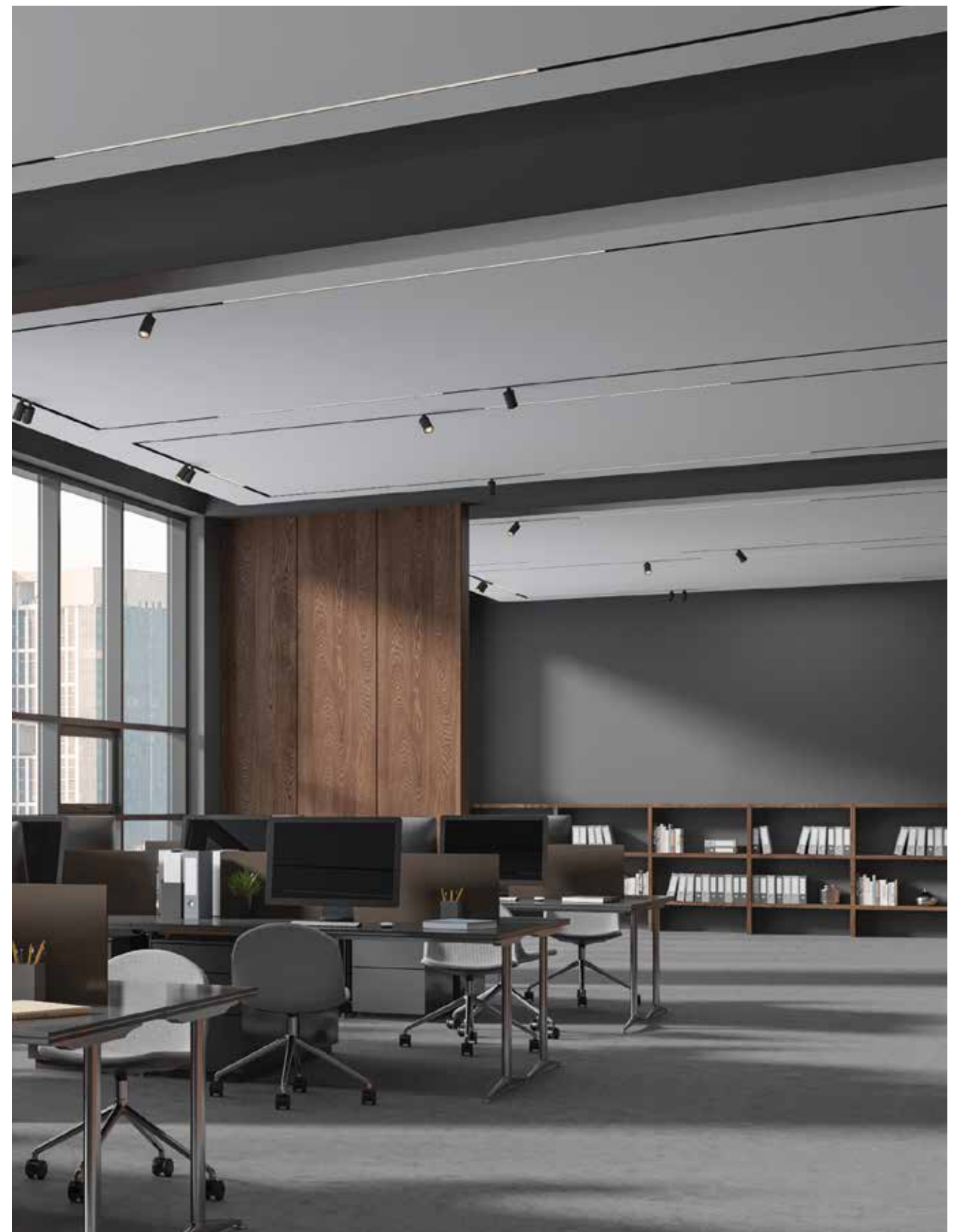
Zambelis 48V tracks are fully compatible with the CASAMBI control system, enabling seamless bidirectional communication between control devices and luminaires. This allows users to create lighting scenes, manage the system via smart devices, and personalize their lighting experience with ease.

Through CASAMBI and its wireless control options, users have total control over their installation, enjoying the same advanced features typically found in low-voltage systems. With the 48V track system, flexibility, innovation, and cutting-edge control in architectural lighting remain uncompromised.

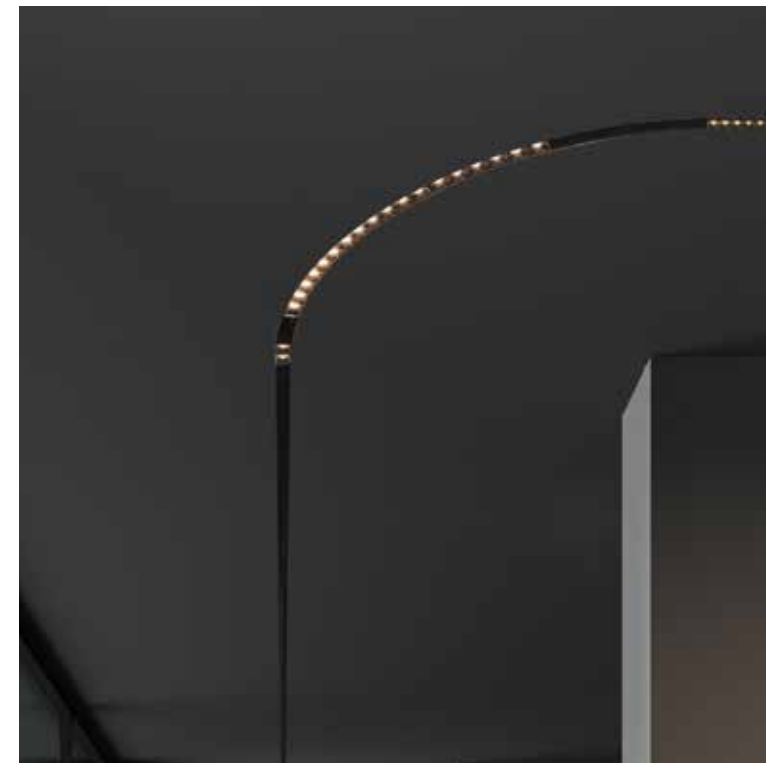
Power by : **CASAMBI**
Available App on :



DESIGN YOUR OWN LIGHTING...



07. 48V ROUNDED RECTANGLE MAGNETIC SYSTEM

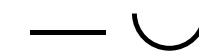


SYSTEM REFERENCE



TRACK FORM

Linear | Curved



INSTALLATION

Surface | Pendant | Trimless



BODY COLOR

Sandy Black



FIXTURE COLOR

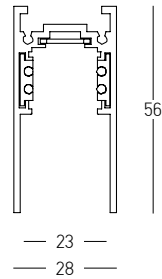
Sandy Black



SURFACE | PENDANT TRACK



Track Code	Length	Color
22273B-1	1m	Sandy Black
22273B-2	2m	Sandy Black
22273B-3	3m	Sandy Black



Curved Mechanic Connector
Metal
Code 22097-C

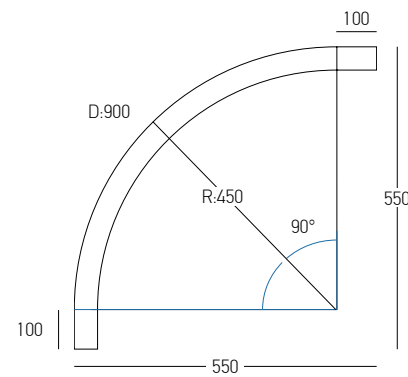


Suspension Kit (2pcs)
Adjustable Wire 2m
Metal
Code 22121



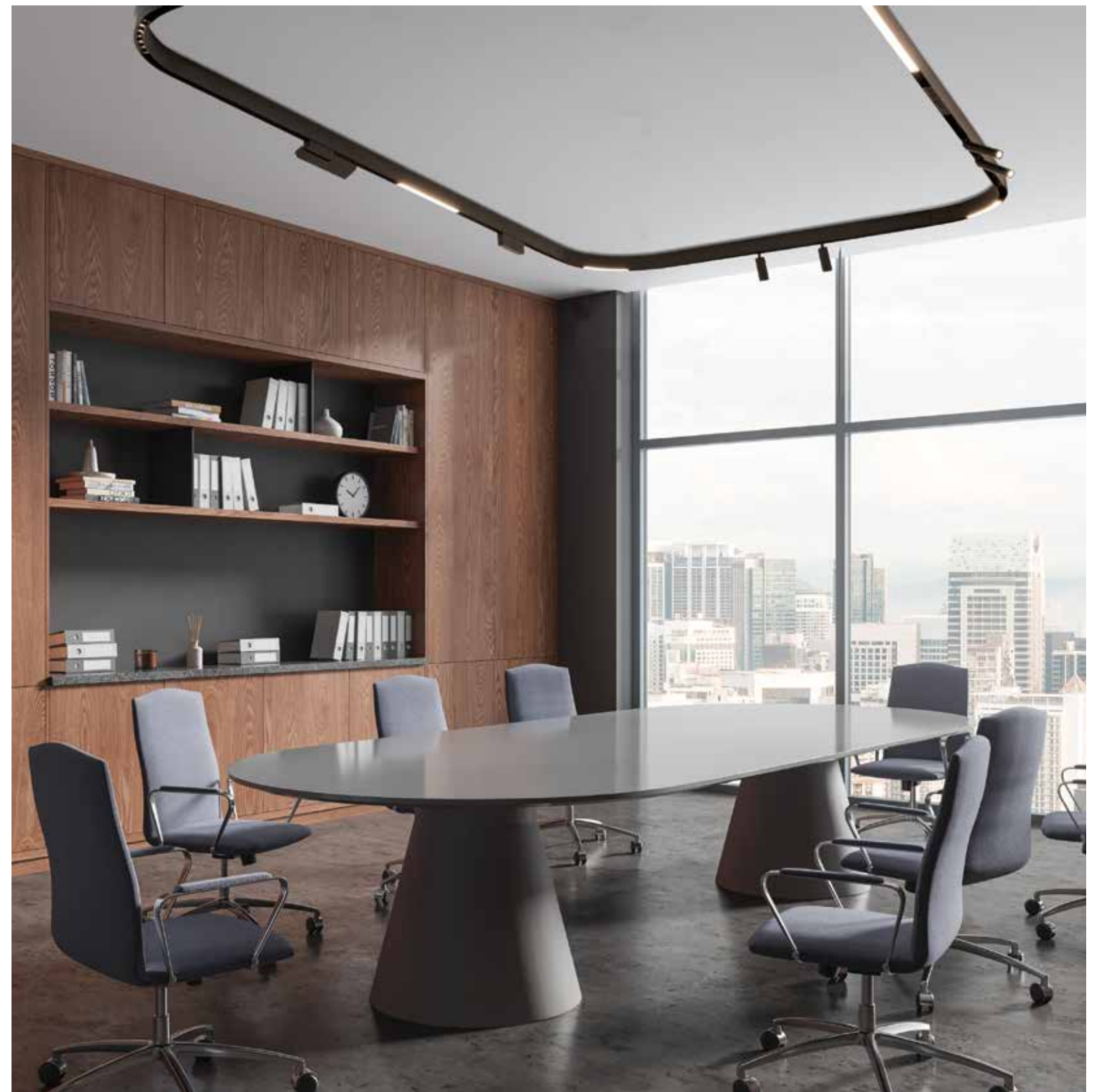
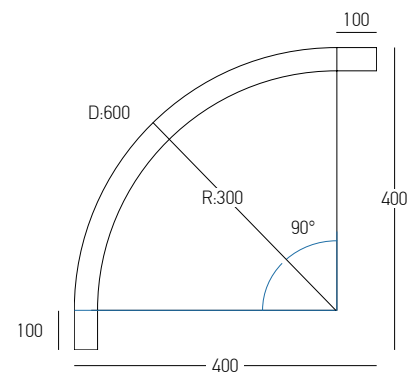
SURFACE | PENDANT CURVE TRACK 90°

Dimensions Ø: 900mm
L: 706mm
Material Aluminium
Color Sandy Black / Code 22277



SURFACE | PENDANT CURVE TRACK 90°

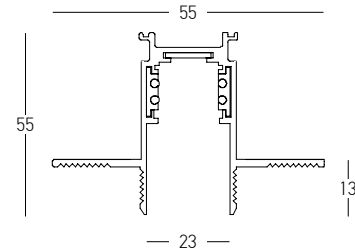
Dimensions Ø: 600mm
L: 471mm
Material Aluminium
Color Sandy Black / Code 22275



TRIMLESS TRACK



Track Code	Length	Color
22274B-1	1m	Sandy Black
22274B-2	2m	Sandy Black
22274B-3	3m	Sandy Black

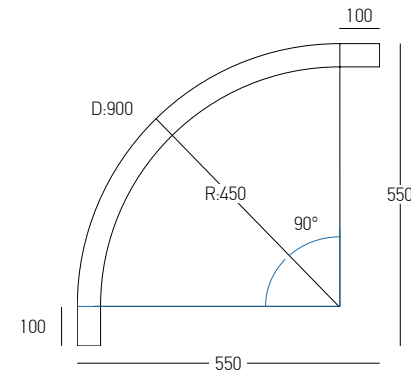


Curved Mechanic Connector
Metal
Code 22097-C



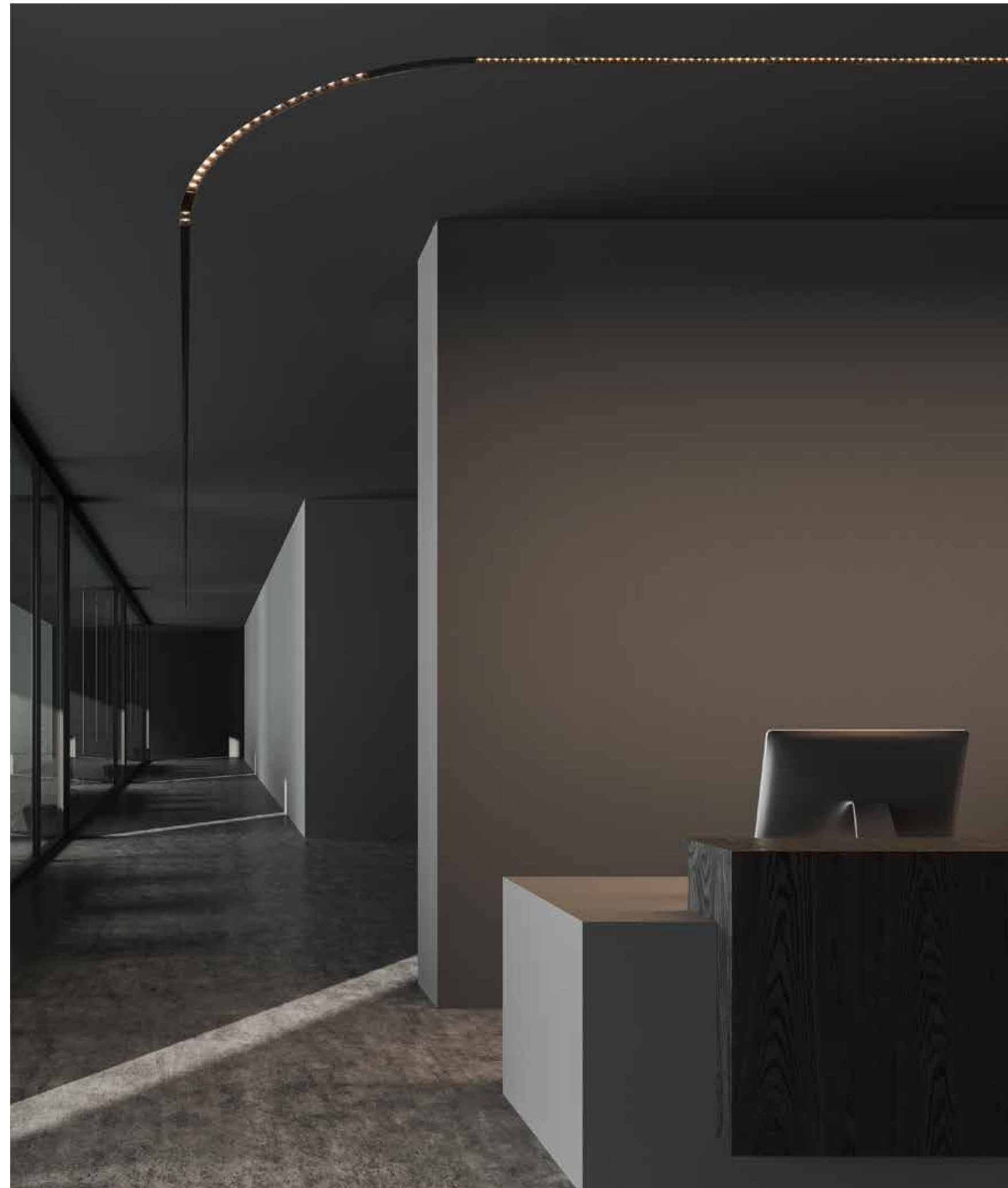
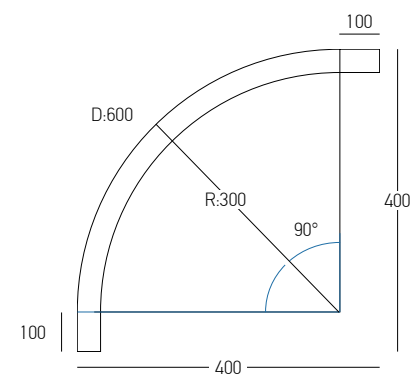
TRIMLESS CURVE TRACK 90°

Dimensions Ø: 900mm
L: 906mm
Material Aluminium
Color Sandy Black / Code 22278



TRIMLESS CURVE TRACK 90°

Dimensions Ø: 600mm
L: 670mm
Material Aluminium
Color Sandy Black / Code 22276



LIGHTS FOR D:900MM CURVED TRACKS



Power 8W
 Input 48V
 Color Temperature 3000K
 Lumen 780Lm
 Cri 80
 Dimensions Curved: 900mm L: 195mm W: 23mm H: 45mm
 Beam Angle 36°
 DALI Dimmable ☉
 Material Aluminium - Acrylic
 Color Sandy Black / **Code 22099**

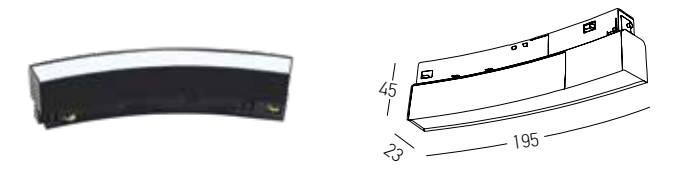


Power 8W
 Input 48V
 Color Temperature 3000K
 Lumen 780Lm
 Cri 80
 Dimensions Curved: 900mm L: 195mm W: 23mm H: 45mm
 Beam Angle 120°
 DALI Dimmable ☉
 Material Aluminium - Acrylic
 Color Sandy Black / **Code 22100**

LIGHTS FOR D:600MM CURVED TRACKS



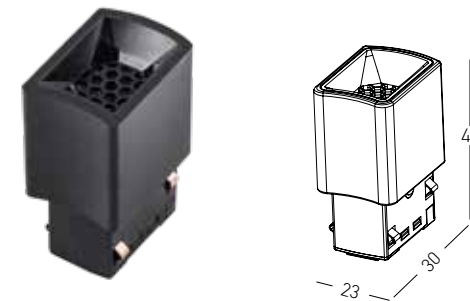
Power 8W
 Input 48V
 Color Temperature 3000K
 Lumen 780Lm
 Cri 80
 Dimensions Curved: 600mm L: 195mm W: 23mm H: 45mm
 Beam Angle 36°
 DALI Dimmable ☉
 Material Aluminium - Acrylic
 Color Sandy Black / **Code 22092**



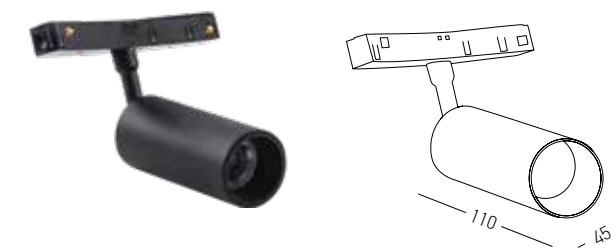
Power 8W
 Input 48V
 Color Temperature 3000K
 Lumen 780Lm
 Cri 80
 Dimensions Curved: 600mm L: 195mm W: 23mm H: 45mm
 Beam Angle 120°
 DALI Dimmable ☉
 Material Aluminium - Acrylic
 Color Sandy Black / **Code 22093**



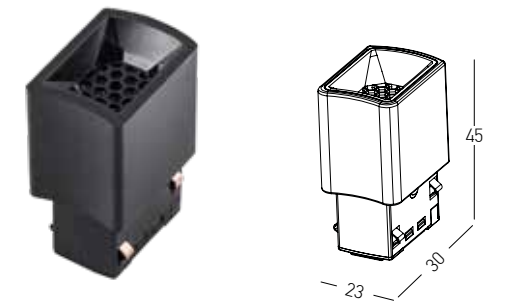
Power 8W
 Input 48V
 Color Temperature 3000K
 Lumen 780Lm
 Cri 80
 Dimensions Curved: 900mm Ø: 45mm L: 110mm
 Beam Angle 36°
 DALI Dimmable ☉
 Material Aluminium - Acrylic
 Color Sandy Black / **Code 22101**



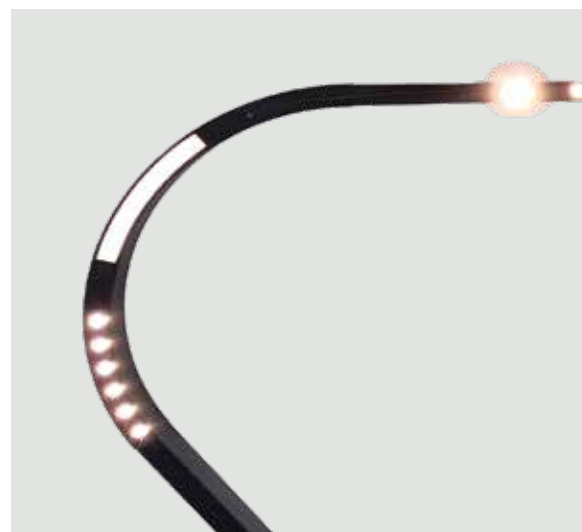
Power 2W
 Input 48V
 Color Temperature 3000K
 Lumen 170Lm
 Cri 80
 Dimensions L: 30mm W: 23mm H: 45mm
 Beam Angle 25°
 Non Dimmable ☒
 Material Acrylic
 Color Sandy Black / **Code 22107**



Power 8W
 Input 48V
 Color Temperature 3000K
 Lumen 780Lm
 Cri 80
 Dimensions Curved: 600mm Ø: 45mm L: 110mm
 Beam Angle 36°
 DALI Dimmable ☉
 Material Aluminium - Acrylic
 Color Sandy Black / **Code 22094**

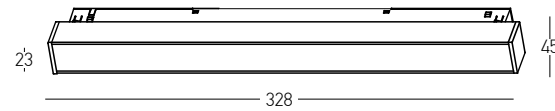


Power 2W
 Input 48V
 Color Temperature 3000K
 Lumen 170Lm
 Cri 80
 Dimensions L: 30mm W: 23mm H: 45mm
 Beam Angle 25°
 Non Dimmable ☒
 Material Acrylic
 Color Sandy Black / **Code 22107**





OSRAM

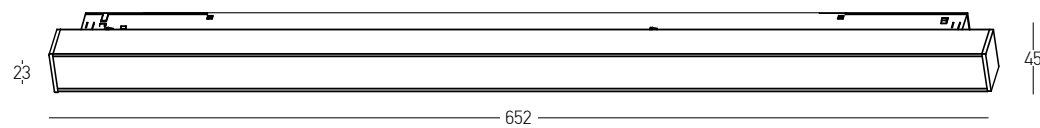


Power 13W
 Input 48V
 Color Temperature 3000K
 Lumen 779Lm
 Cri 90
 Dimensions L: 328mm W: 23mm H: 45mm
 Beam Angle 120°
 DALI Dimmable
 Material Aluminium - PC Diffuser
 Color Sandy Black / **Code 2087**

Power 13W
 Input 48V
 Color Temperature 3000K
 Lumen 779Lm
 Cri 90
 Dimensions L: 328mm W: 23mm H: 45mm
 Beam Angle 120°
 Non Dimmable
 Material Aluminium - PC Diffuser
 Color Sandy Black / **Code 2086**



OSRAM



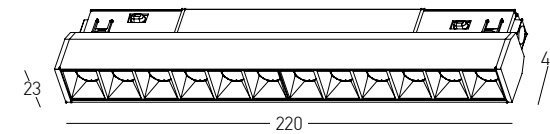
Power 20W
 Input 48V
 Color Temperature 2700K | 3000K | 4000K
 Lumen 1324Lm | 1383Lm | 1411Lm
 Cri 90
 Dimensions L: 652mm W: 23mm H: 45mm
 Beam Angle 120°
 DALI Dimmable
 Material Aluminium - PC Diffuser
 Color 2700K Sandy Black / **Code 2089-27B**
 Color 3000K Sandy Black / **Code 2089**
 Color 4000K Sandy Black / **Code 2089-4B**

Power 20W
 Input 48V
 Color Temperature 3000K
 Lumen 1383Lm
 Cri 90
 Dimensions L: 652mm W: 23mm H: 45mm
 Beam Angle 120°
 Non Dimmable
 Material Aluminium - PC Diffuser
 Color Sandy Black / **Code 2088**





OSRAM

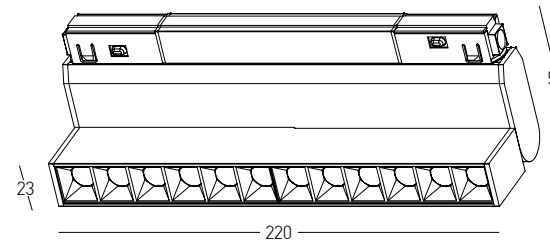


Power 8W
 Input 48V
 Color Temperature 2700K | 3000K | 4000K
 Lumen 675Lm | 693Lm | 713Lm
 Cri 90
 Dimensions L: 220mm W: 23mm H: 45mm
 Beam Angle 30°
 DALI Dimmable
 Material Aluminium - Acrylic
 Color 2700K Sandy Black / **Code 2091-27B**
 Color 3000K Sandy Black / **Code 2091**
 Color 4000K Sandy Black / **Code 2091-4B**

Power 8W
 Input 48V
 Color Temperature 3000K
 Lumen 693Lm
 Cri 90
 Dimensions L: 220mm W: 23mm H: 45mm
 Beam Angle 30°
 Non Dimmable
 Material Aluminium - Acrylic
 Color Sandy Black / **Code 2090**



OSRAM

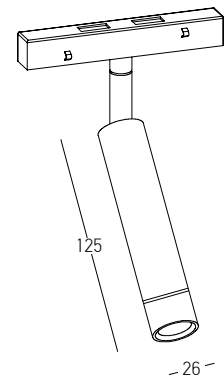


Power 12W
 Input 48V
 Color Temperature 3000K
 Lumen 1021Lm
 Cri 90
 Dimensions L: 220mm W: 23mm H: 53mm
 Beam Angle 30°
 DALI Dimmable
 Material Aluminium - Acrylic
 Color Sandy Black / **Code 20291**

Power 12W
 Input 48V
 Color Temperature 3000K
 Lumen 1021Lm
 Cri 90
 Dimensions L: 220mm W: 23mm H: 53mm
 Beam Angle 30°
 Non Dimmable
 Material Aluminium - Acrylic
 Color Sandy Black / **Code 20290**



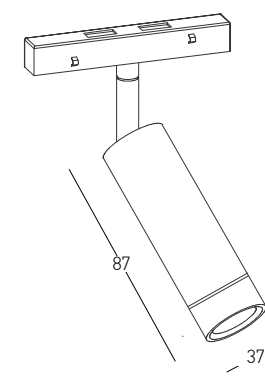
Power 5W
 Input 48V
 Color Temperature 3000K
 Lumen 414Lm
 Cri 90
 Dimensions Ø: 26mm H: 125mm
 Beam Angle 24°
 DALI Dimmable
 Material Aluminium
 Color Sandy Black / **Code 2094**



Power 5W
 Input 48V
 Color Temperature 3000K
 Lumen 414Lm
 Cri 90
 Dimensions Ø: 26mm H: 125mm
 Beam Angle 24°
 Non Dimmable
 Material Aluminium
 Color Sandy Black / **Code 2093**



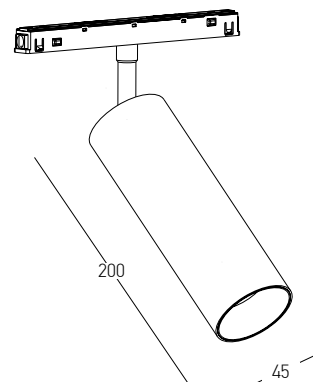
Power 7W
 Input 48V
 Color Temperature 2700K | 3000K
 Lumen 565Lm | 580Lm
 Cri 90
 Dimensions Ø: 37mm H: 87mm
 Beam Angle 32°
 DALI Dimmable
 Material Aluminium
 Color 3000K Sandy Black / **Code 20400-BD**
 Color 2700K Sandy Black / **Code 20407-BD**



Power 7W
 Input 48V
 Color Temperature 3000K | 4000K
 Lumen 580Lm | 605Lm
 Cri 90
 Dimensions Ø: 37mm H: 87mm
 Beam Angle 32°
 Non Dimmable
 Material Aluminium
 Color 3000K Sandy Black / **Code 20402-B**
 Color 4000K Sandy Black / **Code 20406**



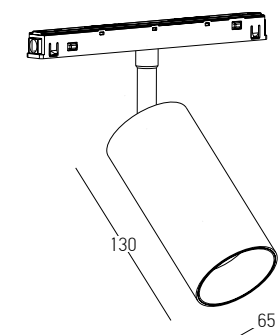
Power 15W
 Input 48V
 Color Temperature 3000K
 Lumen 1225Lm
 Cri 90
 Dimensions Ø: 45mm H: 200mm
 Beam Angle 24°
 DALI Dimmable
 Material Aluminium
 Color Sandy Black / **Code 2095-D**



Power 15W
 Input 48V
 Color Temperature 3000K
 Lumen 1225Lm
 Cri 90
 Dimensions Ø: 45mm H: 200mm
 Beam Angle 24°
 Non Dimmable
 Material Aluminium
 Color Sandy Black / **Code 2095**

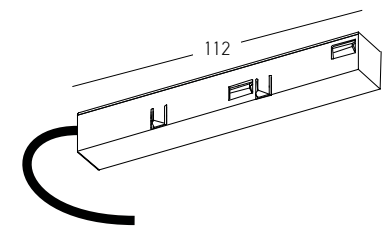


Power 15W
 Input 48V
 Color Temperature 3000K | 4000K
 Lumen 1284Lm | 1312Lm
 Cri 90
 Dimensions Ø: 65mm H: 130mm
 Beam Angle 24°
 DALI Dimmable
 Material Aluminium
 Color 3000K Sandy Black / **Code 20413**
 Color 4000K Sandy Black / **Code 20415**

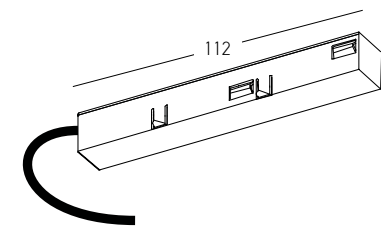


Power 15W
 Input 48V
 Color Temperature 3000K | 4000K
 Lumen 1284Lm | 1312Lm
 Cri 90
 Dimensions Ø: 65mm H: 130mm
 Beam Angle 24°
 Non Dimmable
 Material Aluminium
 Color 3000K Sandy Black / **Code 20410**
 Color 4000K Sandy Black / **Code 20411**

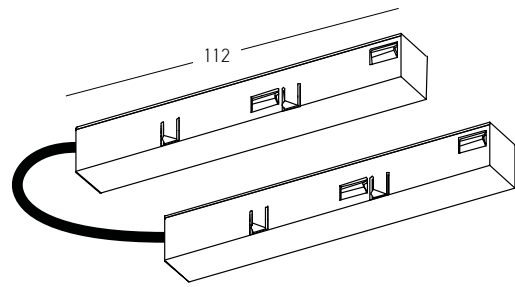
ACCESSORIES FOR 48V ROUNDED RECTANGLE MAGNETIC SYSTEM



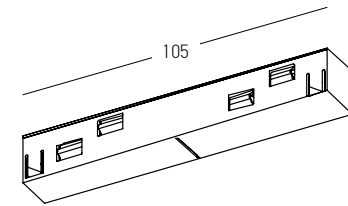
Feeder for 48V Magnetic Tracks
300mm Cable Available
Code 2096 / Color Black



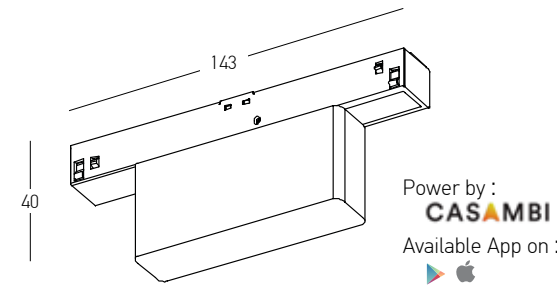
Feeder for 48V Magnetic Tracks
2000mm Cable Available
Code 2096-2M / Color Black



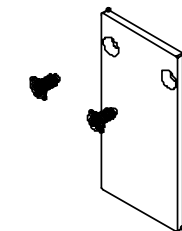
Flex Connector with Cable for 48V Magnetic Tracks
Code 20105 / Color Black



Inner Connector for 48V Magnetic Tracks
Code 20103 / Color Black



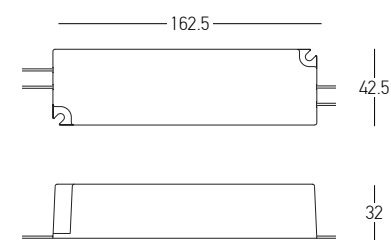
Wireless Control for 48V Magnetic Tracks
Bluetooth DALI
Code 20293



End Cap
Material Metal
Code 22097-E / Color Black

REMOTE DRIVERS FOR 48V ROUNDED RECTANGLE MAGNETIC SYSTEM

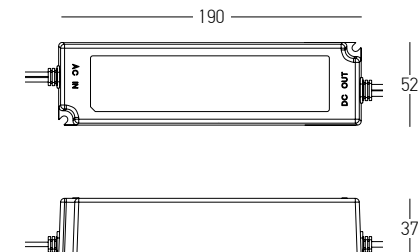
REMOTE DRIVER 60W



Input 220-240, 50-60Hz
Output 48V
Guarantee 5Years

ON-OFF / **Code 20295**
DALI KIT / **Code 20322**
PUSH BUTTON KIT / **Code 20300**
BLUETOOTH KIT / **Code 20303**

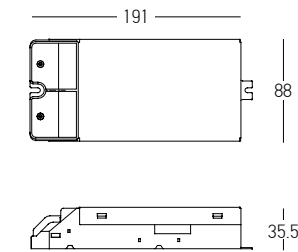
REMOTE DRIVER 100W



Input 220-240, 50-60Hz
Output 48V
Guarantee 5Years

ON-OFF / **Code 20296**
DALI KIT / **Code 20298**
PUSH BUTTON KIT / **Code 20301**
BLUETOOTH KIT / **Code 20304**

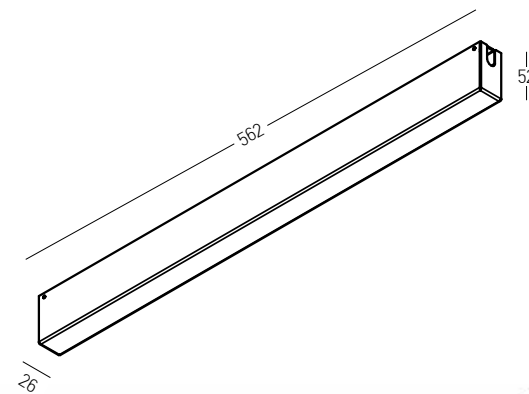
REMOTE DRIVER 150W



Input 220-240, 50-60Hz
Output 48V
Guarantee 5Years

ON-OFF / **Code 20297**
DALI KIT / **Code 20299**
PUSH BUTTON KIT / **Code 20302**
BLUETOOTH KIT / **Code 20305**

DRIVER BOX FOR 48V ROUNDED RECTANGLE MAGNETIC SYSTEM (ceiling application)



Surface Mount Base with Driver for Surface Magnetic Track

Power 100W
Input 220-240, 50-60Hz
Output 48V
Special Feature Included 48V Feeder
Color Sandy Black
Guarantee 5Years

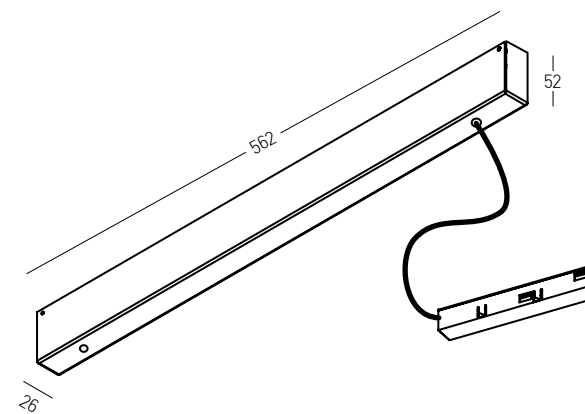
ON-OFF / **Code 20306-B**
DALI KIT / **Code 20308-B**
PUSH BUTTON KIT / **Code 20310-B**
BLUETOOTH KIT / **Code 20312-B**

Surface Mount Base with Driver for Surface Magnetic Track

Power 200W
Input 220-240, 50-60Hz
Output 48V
Special Feature Included 48V Feeder
Color Sandy Black
Guarantee 5Years

ON-OFF / **Code 20307-B**
DALI KIT / **Code 20309-B**
PUSH BUTTON KIT / **Code 20311-B**
BLUETOOTH KIT / **Code 20313-B**

DRIVER BOX FOR 48V ROUNDED RECTANGLE MAGNETIC SYSTEM (pendant application)



Pendant Base with Driver for Pendant Magnetic Track

Power 100W
Input 220-240, 50-60Hz
Output 48V
Special Feature 2000mm Cable Available - 48V Feeder
Color Sandy Black
Guarantee 5Years

ON-OFF / **Code 20314-B**
DALI KIT / **Code 20316-B**
PUSH BUTTON KIT / **Code 20318-B**
BLUETOOTH KIT / **Code 20320-B**

Pendant Base with Driver for Pendant Magnetic Track

Power 200W
Input 220-240, 50-60Hz
Output 48V
Special Feature 2000mm Cable Available - 48V Feeder
Color Sandy Black
Guarantee 5Years

ON-OFF / **Code 20315-B**
DALI KIT / **Code 20317-B**
PUSH BUTTON KIT / **Code 20319-B**
BLUETOOTH KIT / **Code 20321-B**

08. 48V CIRCLES-CURVED MAGNETIC SYSTEM



SYSTEM REFERENCE



TRACK FORM

Curved | Circles



INSTALLATION

Surface | Pendant | Trimless



BODY COLOR

Sandy Black



FIXTURE COLOR

Sandy Black

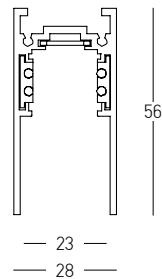




SURFACE | PENDANT TRACK



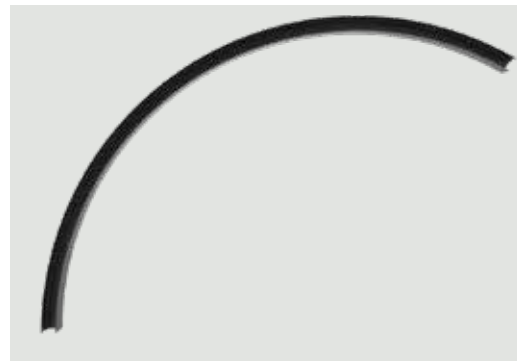
Track Code	Length	Color
22273B-1	1m	Sandy Black
22273B-2	2m	Sandy Black
22273B-3	3m	Sandy Black



Curved Mechanic Connector
Metal
Code 22097-C

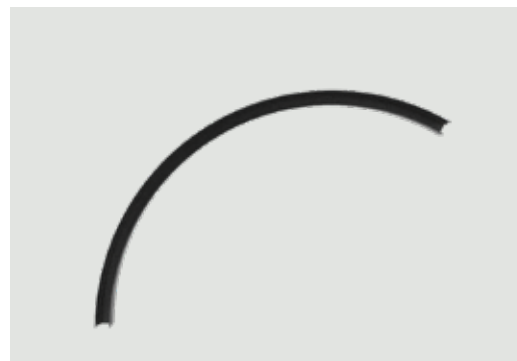
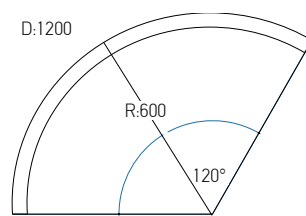


Suspension Kit (2pcs)
Adjustable Wire 2m
Metal
Code 22121



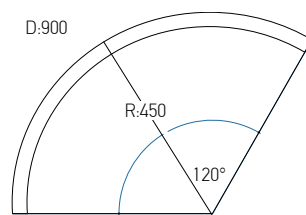
SURFACE | PENDANT CURVE TRACK 120°

Dimensions **Ø: 1200mm**
L: 1252.5mm
Material Aluminium
Color Sandy Black
Code 22102



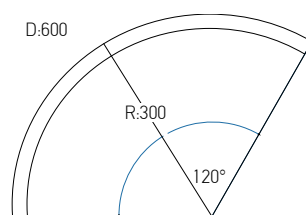
SURFACE | PENDANT CURVE TRACK 120°

Dimensions **Ø: 900mm**
L: 942.5mm
Material Aluminium
Color Sandy Black
Code 22097



SURFACE | PENDANT CURVE TRACK 120°

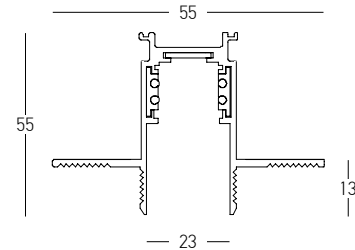
Dimensions **Ø: 600mm**
L: 628mm
Material Aluminium
Color Sandy Black
Code 22090



TRIMLESS TRACK



Track Code	Length	Color
22274B-1	1m	Sandy Black
22274B-2	2m	Sandy Black
22274B-3	3m	Sandy Black

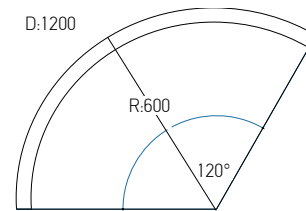


Curved Mechanic Connector
Metal
Code 22097-C



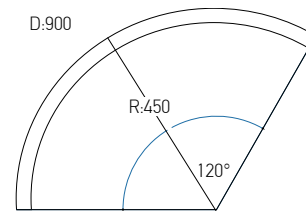
TRIMLESS CURVE TRACK 120°

Dimensions Ø: 1200mm
L: 1252.5mm
Material Aluminium
Color Sandy Black
Code 22103



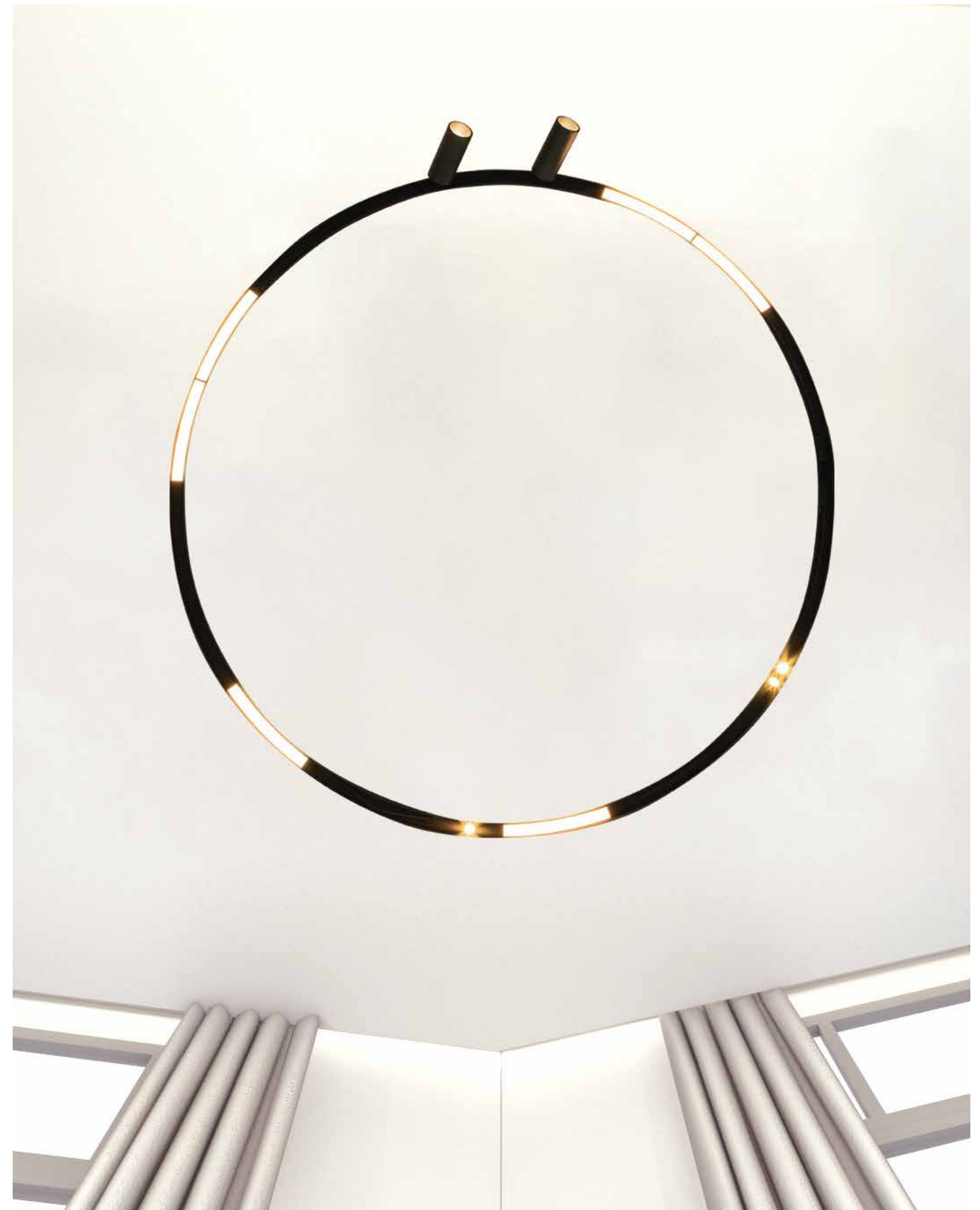
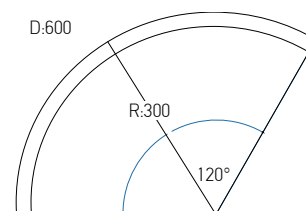
TRIMLESS CURVE TRACK 120°

Dimensions Ø: 900mm
L: 942.5mm
Material Aluminium
Color Sandy Black
Code 22098



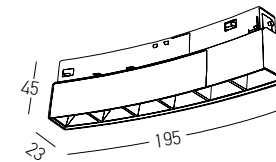
TRIMLESS CURVE TRACK 120°

Dimensions Ø: 600mm
L: 628mm
Material Aluminium
Color Sandy Black
Code 22091

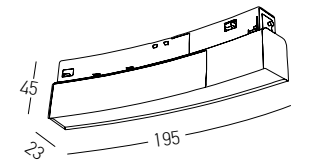




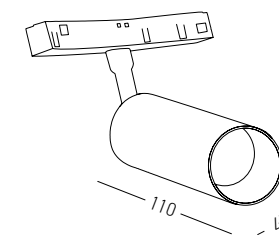
LIGHTS FOR D:1200MM CURVED TRACKS



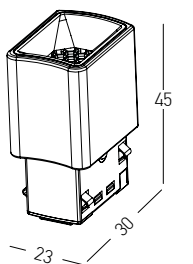
Power 8W
 Input 48V
 Color Temperature 3000K
 Lumen 780Lm
 Cri 80
 Dimensions Curved: 1200mm L: 195mm W: 23mm H: 45mm
 Beam Angle 36°
 DALI Dimmable
 Material Aluminium - Acrylic
 Color Sandy Black / **Code 22104**



Power 8W
 Input 48V
 Color Temperature 3000K
 Lumen 780Lm
 Cri 80
 Dimensions Curved: 1200mm L: 195mm W: 23mm H: 45mm
 Beam Angle 120°
 DALI Dimmable
 Material Aluminium - Acrylic
 Color Sandy Black / **Code 22105**



Power 8W
 Input 48V
 Color Temperature 3000K
 Lumen 780Lm
 Cri 80
 Dimensions Curved: 1200mm Ø: 45mm L: 110mm
 Beam Angle 36°
 DALI Dimmable
 Material Aluminium - Acrylic
 Color Sandy Black / **Code 22106**



Power 2W
 Input 48V
 Color Temperature 3000K
 Lumen 170Lm
 Cri 80
 Dimensions L: 30mm W: 23mm H: 45mm
 Beam Angle 25°
 Non Dimmable
 Material Acrylic
 Color Sandy Black / **Code 22107**

LIGHTS FOR D:900MM CURVED TRACKS

LIGHTS FOR D:600MM CURVED TRACKS



Power 8W
 Input 48V
 Color Temperature 3000K
 Lumen 780Lm
 Cri 80
 Dimensions Curved: 900mm L: 195mm W: 23mm H: 45mm
 Beam Angle 36°
 DALI Dimmable ☉
 Material Aluminium - Acrylic
 Color Sandy Black / **Code 22099**



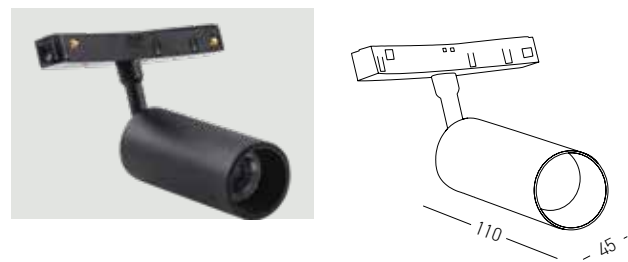
Power 8W
 Input 48V
 Color Temperature 3000K
 Lumen 780Lm
 Cri 80
 Dimensions Curved: 900mm L: 195mm W: 23mm H: 45mm
 Beam Angle 120°
 DALI Dimmable ☉
 Material Aluminium - Acrylic
 Color Sandy Black / **Code 22100**



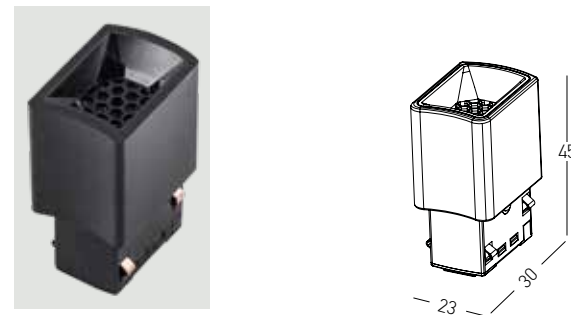
Power 8W
 Input 48V
 Color Temperature 3000K
 Lumen 780Lm
 Cri 80
 Dimensions Curved: 600mm L: 195mm W: 23mm H: 45mm
 Beam Angle 36°
 DALI Dimmable ☉
 Material Aluminium - Acrylic
 Color Sandy Black / **Code 22092**



Power 8W
 Input 48V
 Color Temperature 3000K
 Lumen 780Lm
 Cri 80
 Dimensions Curved: 600mm L: 195mm W: 23mm H: 45mm
 Beam Angle 120°
 DALI Dimmable ☉
 Material Aluminium - Acrylic
 Color Sandy Black / **Code 22093**



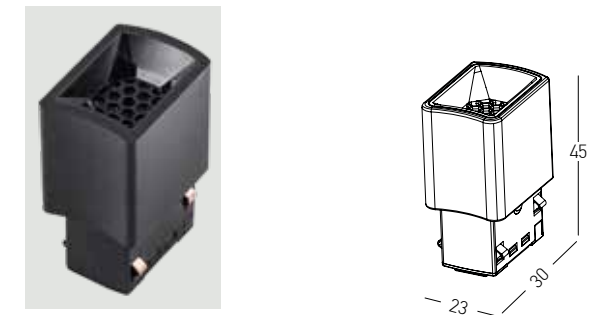
Power 8W
 Input 48V
 Color Temperature 3000K
 Lumen 780Lm
 Cri 80
 Dimensions Curved: 900mm Ø: 45mm L: 110mm
 Beam Angle 36°
 DALI Dimmable ☉
 Material Aluminium - Acrylic
 Color Sandy Black / **Code 22101**



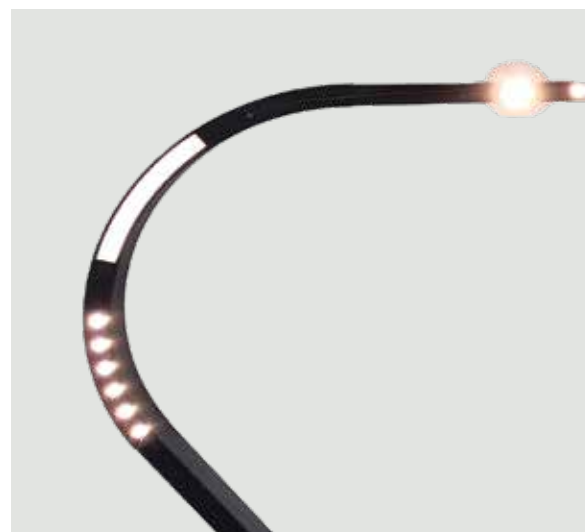
Power 2W
 Input 48V
 Color Temperature 3000K
 Lumen 170Lm
 Cri 80
 Dimensions L: 30mm W: 23mm H: 45mm
 Beam Angle 25°
 Non Dimmable ☒
 Material Acrylic
 Color Sandy Black / **Code 22107**



Power 8W
 Input 48V
 Color Temperature 3000K
 Lumen 780Lm
 Cri 80
 Dimensions Curved: 600mm Ø: 45mm L: 110mm
 Beam Angle 36°
 DALI Dimmable ☉
 Material Aluminium - Acrylic
 Color Sandy Black / **Code 22094**

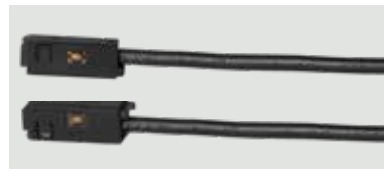


Power 2W
 Input 48V
 Color Temperature 3000K
 Lumen 170Lm
 Cri 80
 Dimensions L: 30mm W: 23mm H: 45mm
 Beam Angle 25°
 Non Dimmable ☒
 Material Acrylic
 Color Sandy Black / **Code 22107**



ACCESSORIES FOR 48V CIRCLES-CURVED MAGNETIC SYSTEM

FEEDER FOR SURFACE-TRIMLESS APPLICATION



Material Plastic
 Special Feature 300mm Available Cable
 Color Black Matt / **Code 22095**

FEEDER FOR PENDANT INSTALLATION



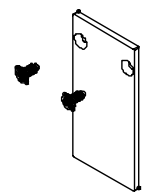
Material Plastic
 Special Feature 2000mm Available Cable
 Color Black Matt / **Code 22120**

FLEX CONNECTOR



Material Plastic
 Special Feature 2200mm Available Cable
 Color Black Matt / **Code 22096**

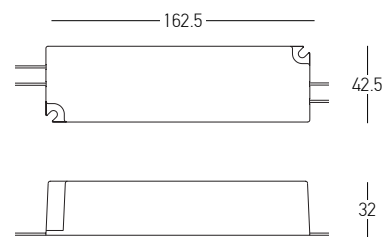
END CAPS



Material Metal
 Color Black Matt / **Code 22097-E**

REMOTE DRIVERS FOR 48V CIRCLES-CURVED MAGNETIC SYSTEM

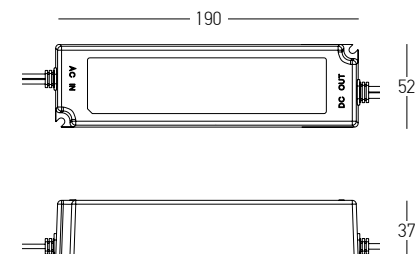
REMOTE DRIVER 60W



Input 220-240, 50-60Hz
 Output 48V
 Guarantee 5Years

ON-OFF / **Code 20295**
 DALI KIT / **Code 20322**
 PUSH BUTTON KIT / **Code 20300**
 BLUETOOTH KIT / **Code 20303**

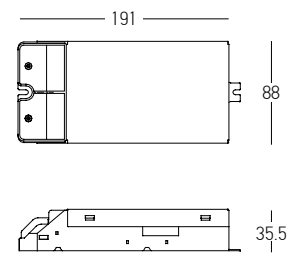
REMOTE DRIVER 100W



Input 220-240, 50-60Hz
 Output 48V
 Guarantee 5Years

ON-OFF / **Code 20296**
 DALI KIT / **Code 20298**
 PUSH BUTTON KIT / **Code 20301**
 BLUETOOTH KIT / **Code 20304**

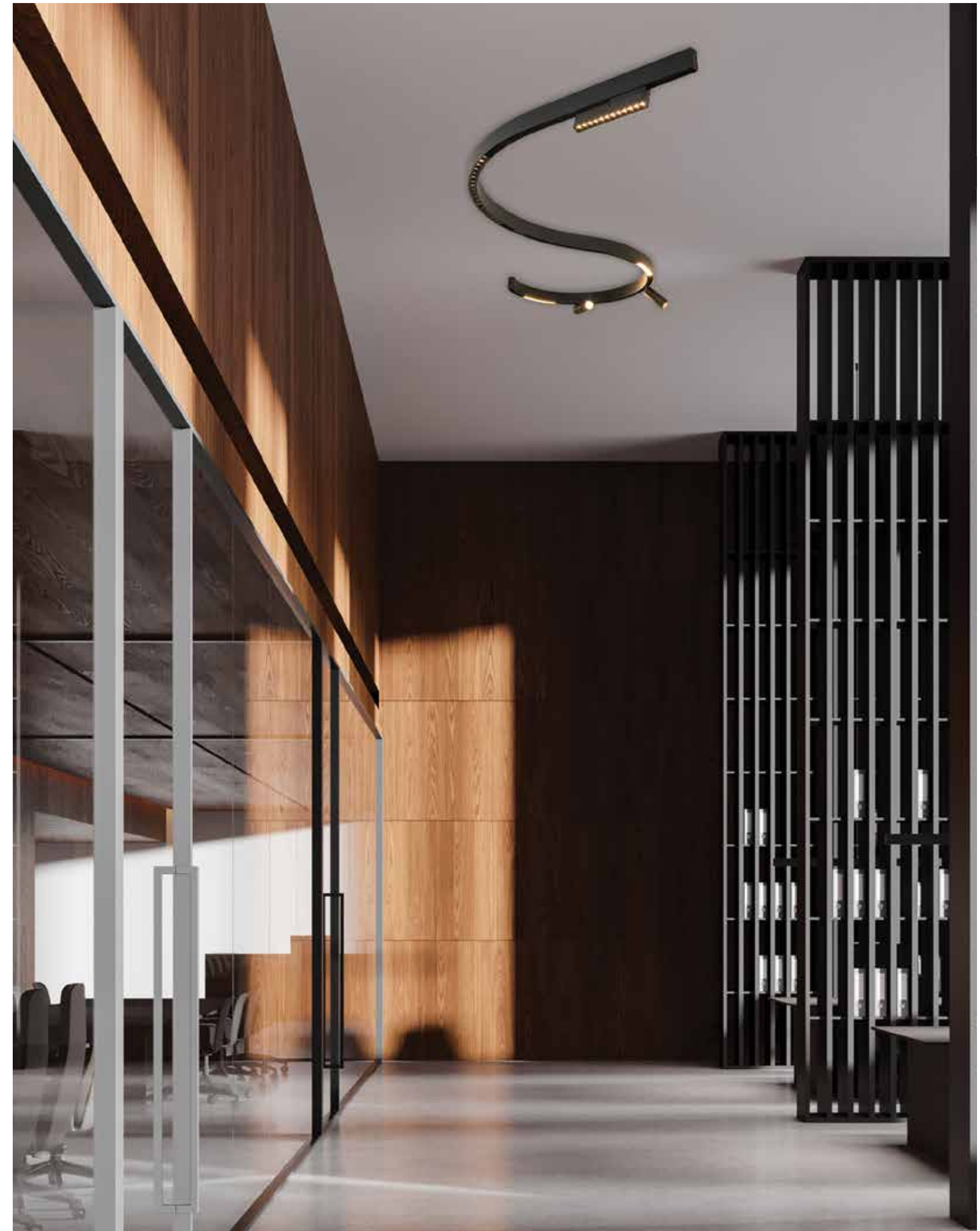
REMOTE DRIVER 150W

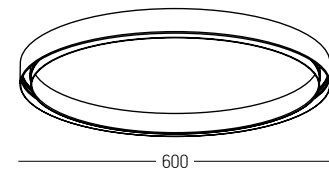


Input 220-240, 50-60Hz
 Output 48V
 Guarantee 5Years

ON-OFF / **Code 20297**
 DALI KIT / **Code 20299**
 PUSH BUTTON KIT / **Code 20302**
 BLUETOOTH KIT / **Code 20305**

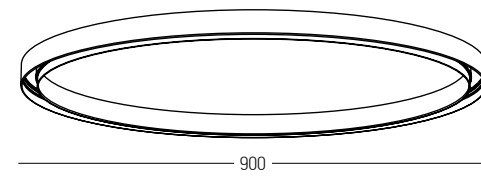
*Dimensions Indicated In Millimeters





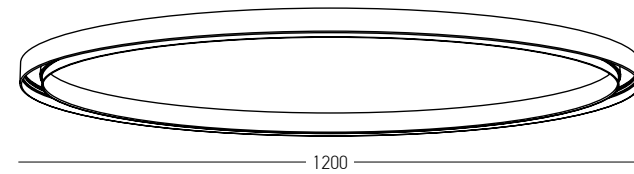
MAGNETIC SURFACE | PENDANT CIRCLE

Dimensions \varnothing : 600mm W: 28mm H: 56mm
 Material Aluminium
 Color Sandy Black / **Code 22270**



MAGNETIC SURFACE | PENDANT CIRCLE

Dimensions \varnothing : 900mm W: 28mm H: 56mm
 Material Aluminium
 Color Sandy Black / **Code 22271**



MAGNETIC SURFACE | PENDANT CIRCLE

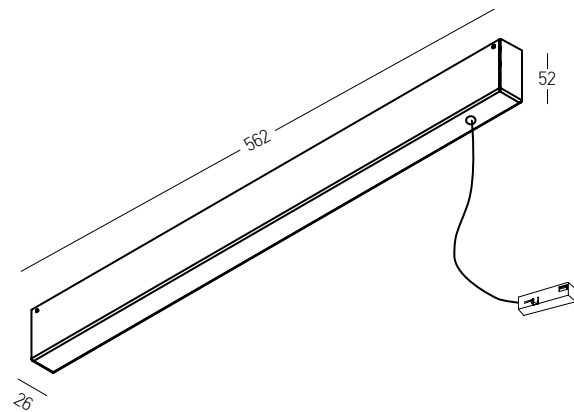
Dimensions \varnothing : 1200mm W: 28mm H: 56mm
 Material Aluminium
 Color Sandy Black / **Code 22272**



Suspension Kit (3pcs) for Magnetic Circles
 Adjustable Wire 2000mm
 Material Metal
Code 22283

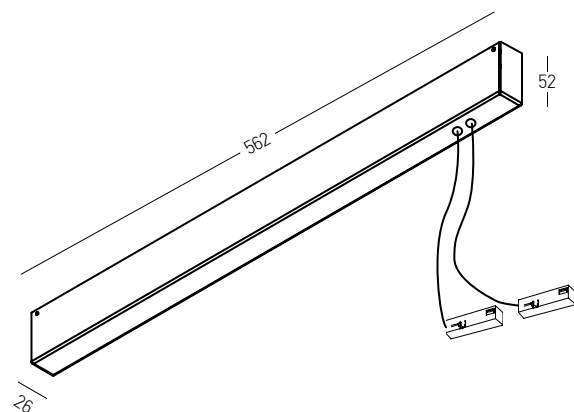


CEILING DRIVER BOX FOR PENDANT CURVED TRACKS - CIRCLES



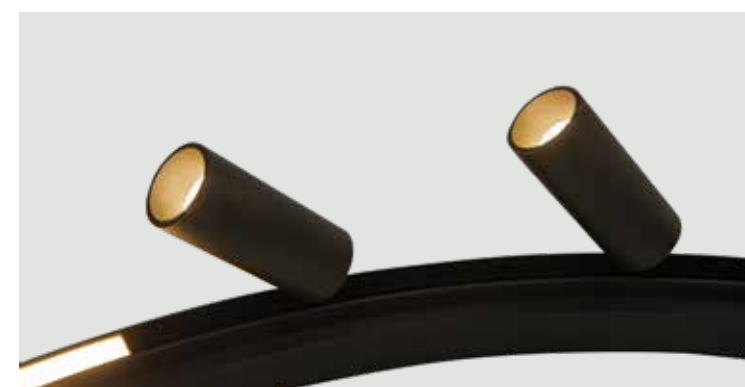
Pendant Base with Driver for Pendant Magnetic Track
 Power 100W
 Input 220-240, 50-60Hz
 Output 48V
 Special Feature 2000mm Cable Available - 48V Feeder
 Color Sandy Black
 Guarantee 5Years
 ON-OFF / Code 22284
 BLUETOOTH KIT / Code 22282

Pendant Base with Driver for Pendant Magnetic Track
 Power 200W
 Input 220-240, 50-60Hz
 Output 48V
 Special Feature 2000mm Cable Available - 48V Feeder
 Color Sandy Black
 Guarantee 5Years
 ON-OFF / Code 22286
 BLUETOOTH KIT / Code 22280

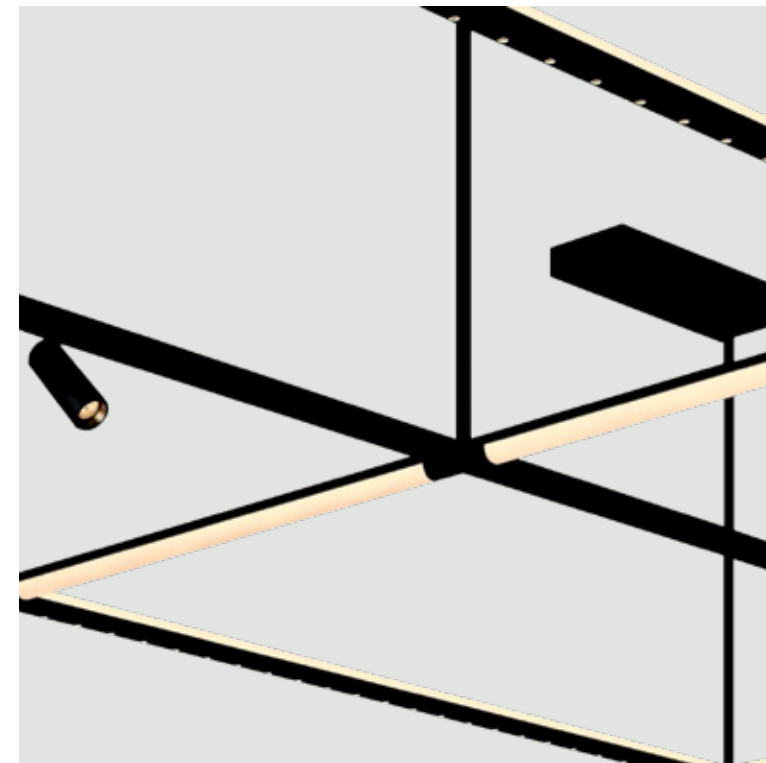


Pendant Base with Driver for Pendant Magnetic Track
 Power 100W
 Input 220-240, 50-60Hz
 Output 48V
 Special Feature 200cm Cable Available - 48V Feeder
 Color Sandy Black
 Guarantee 5Years
 DALI KIT / Code 22285
 PUSH BUTTON KIT / Code 22281

Pendant Base with Driver for Pendant Magnetic Track
 Power 200W
 Input 220-240, 50-60Hz
 Output 48V
 Special Feature 2000mm Cable Available - 48V Feeder
 Color Sandy Black
 Guarantee 5Years
 DALI KIT / Code 22287
 PUSH BUTTON KIT / Code 22279



09. 48V SPACE FRAME MAGNETIC SYSTEM



SYSTEM REFERENCE



TRACK FORM

Linear



INSTALLATION

Pendant



BODY COLOR

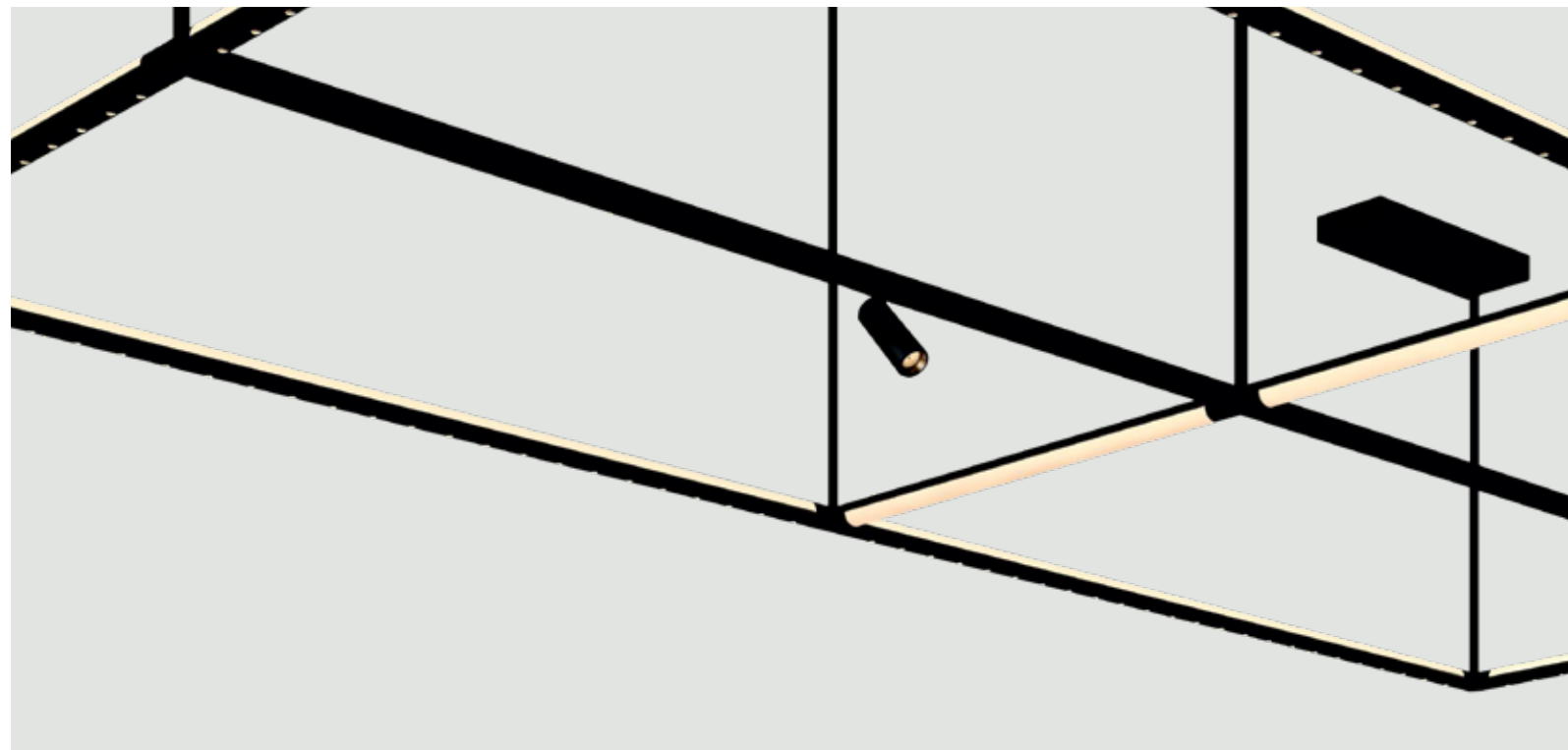
Sandy Black



FIXTURE COLOR

Sandy Black





DOWNLIGHT TUBE



SPOT TUBE WITH UP-LIGHT



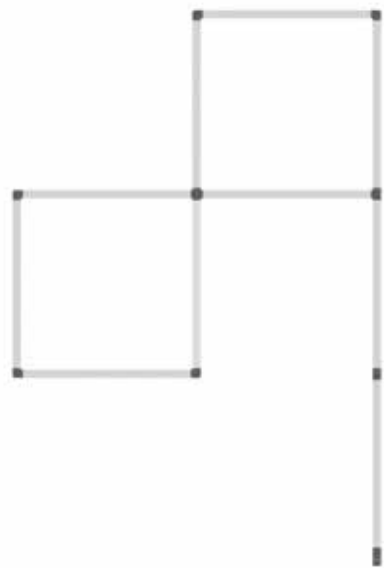
SPOT TUBE



U MAGNETIC TRACK

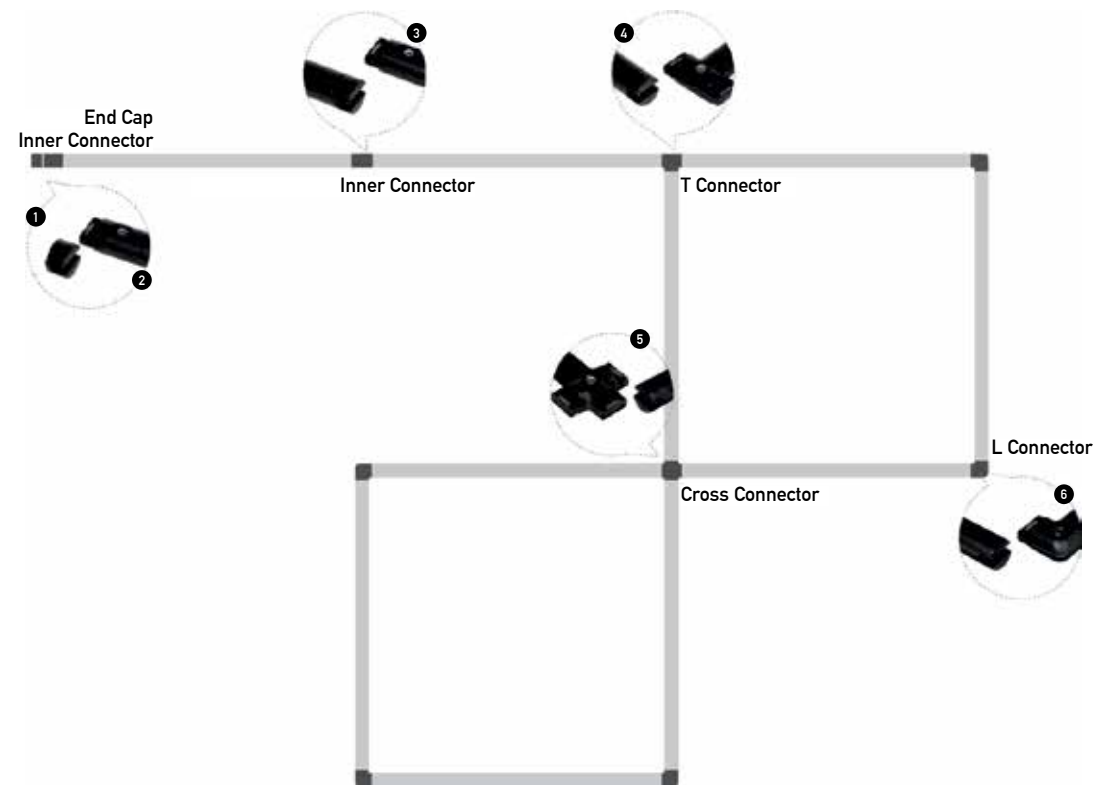
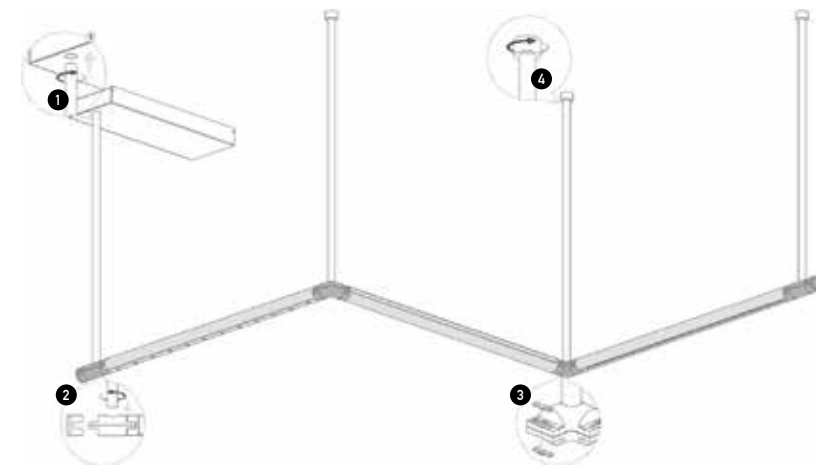


DO IT YOURSELF



*** Power Supply Connection**

The feeder tube must always be used in combination with the 48V power supply.
At the combined tail end, both the end cap and inner connector are required to ensure proper installation. Each circuit group should not exceed a total load / maximum power capacity of 150W, while insulator block circuits must be applied for correct circuit grouping and safe operation.



Feeder Tube

Dimensions Ø: 25mm H: 562mm
Material Metal
Color Black Matt / **Code 23155**

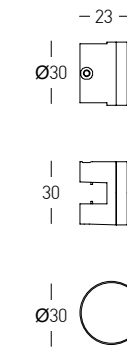


Pendant Tube

Dimensions Ø: 25mm H: 593mm
Material Metal
Color Black Matt / **Code 23152**

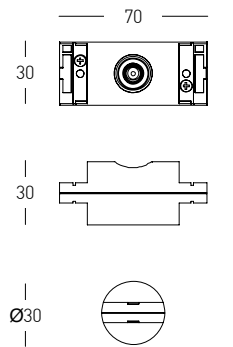


End Cap



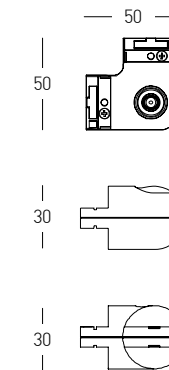
Dimensions Ø: 30mm L: 23mm
Material Plastic
Color Black Matt / **Code 23151**

Inner Connector



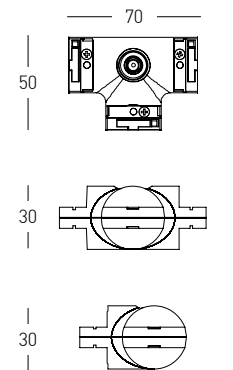
Dimensions Ø: 30mm L: 70mm
Material Plastic
Color Black Matt / **Code 23156**

L Connector



Dimensions Ø: 30mm L: 50mm W: 50mm
Material Plastic
Color Black Matt / **Code 23149**

T Connector



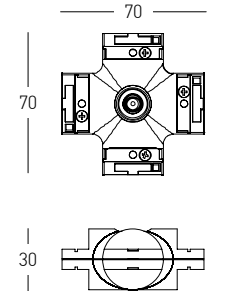
Dimensions Ø: 30mm L: 70mm W: 50mm
Material Plastic
Color Black Matt / **Code 23150**

Power Supply 48V

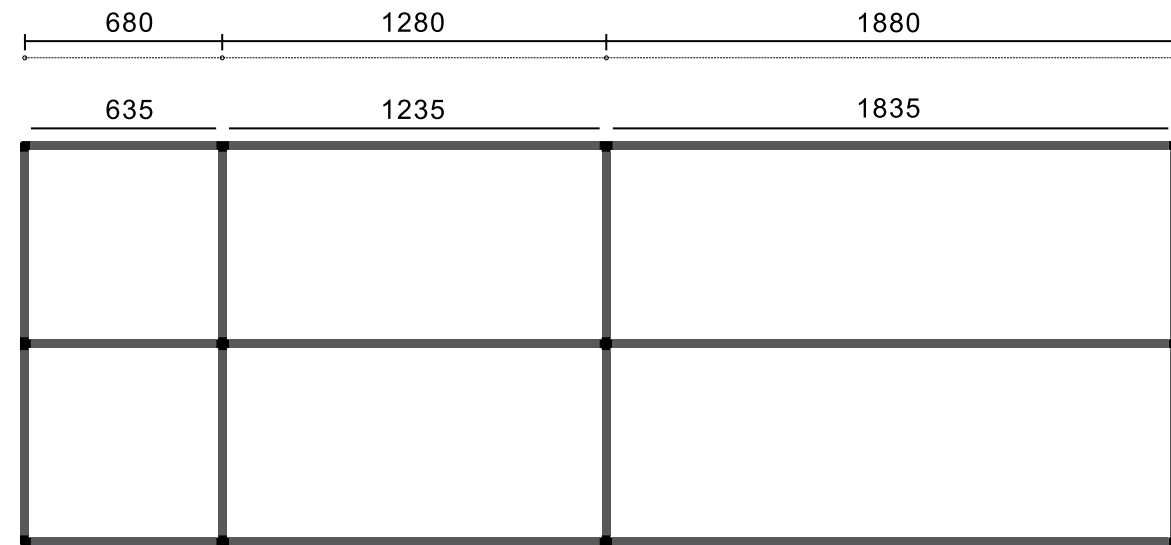


Power 150W
Input 220-240V
Output 48V
Dimensions L: 355mm W: 124mm H: 39.5mm
Material Metal
Special Feature Driver Included
Color Black Matt
On-Off / **Code 23154**
DALI / **Code 23157**

Cross Connector

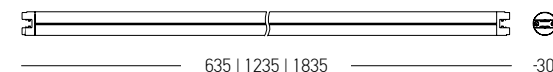
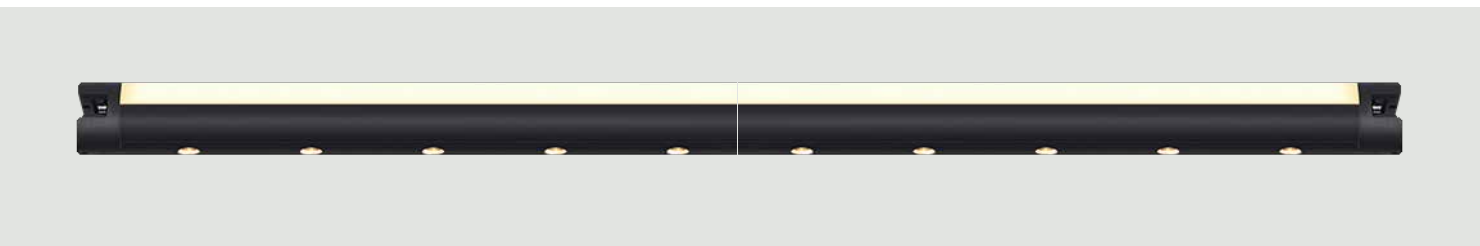
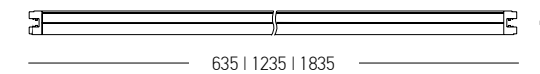


Dimensions Ø: 30mm L: 70mm W: 70mm
Material Plastic
Color Black Matt / **Code 23148**



Code	Size	Watt
23295	635mm	12W
23296	1235mm	25W
23297	1835mm	37W

Power Input 12W | 25W | 37W
 Input 48V
 Color Temperature 3000K
 Lumen 966Lm | 1812Lm | 2708Lm
 Cri 90
 Dimensions Ø: 30mm L: 635mm | 1235mm | 1835mm
 Beam Angle 115°
 DALI Dimmable ☉
 Material Aluminium - Acrylic
 Color Black Matt

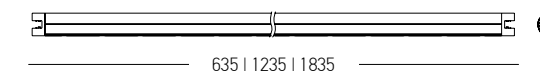



Track Code	Size
23147	635mm
23145	1235mm
23146	1835mm

Input 48V
 Dimensions Ø: 30mm L: 635mm | 1235mm | 1835mm
 Material Aluminium
 Color Black Matt

Code	Size	Watt
23144	635mm	24W
23142	1235mm	48W
23143	1835mm	71W

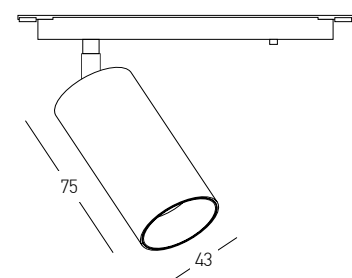
Power Input 24W | 48W | 71W
 Input 48V
 Color Temperature 3000K
 Lumen 1966Lm | 2812Lm | 3708Lm
 Cri 90
 Dimensions Ø: 30mm L: 635mm | 1235mm | 1835mm
 Beam Angle 20°
 DALI Dimmable ☉
 Material Aluminium - Acrylic
 Special Feature Up-Down Light
 Color Black Matt




 Magnetic Tracks for 23153 Magnetic Spot



Power 9W
 Input 48V
 Color Temperature 3000K
 Lumen 780Lm
 Cri 90
 Dimensions Ø: 43mm L: 75mm
 Beam Angle 28°
 DALI Dimmable ☉
 Material Aluminium
 Color Sandy Black / Code 23153

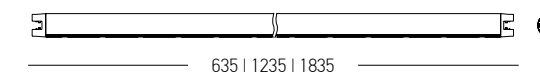


 Magnetic Spot for Tracks 23147, 23145 & 23146



Code	Size	Watt
23141	635mm	11W
23139	1235mm	23W
23140	1835mm	34W

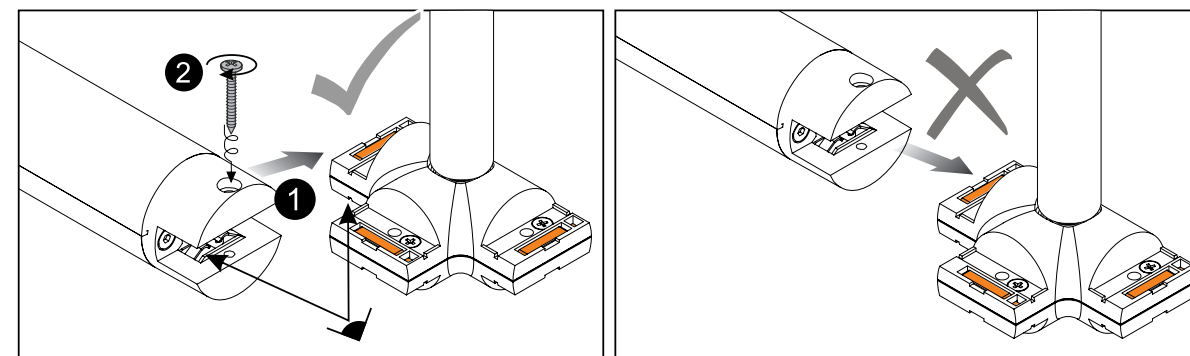
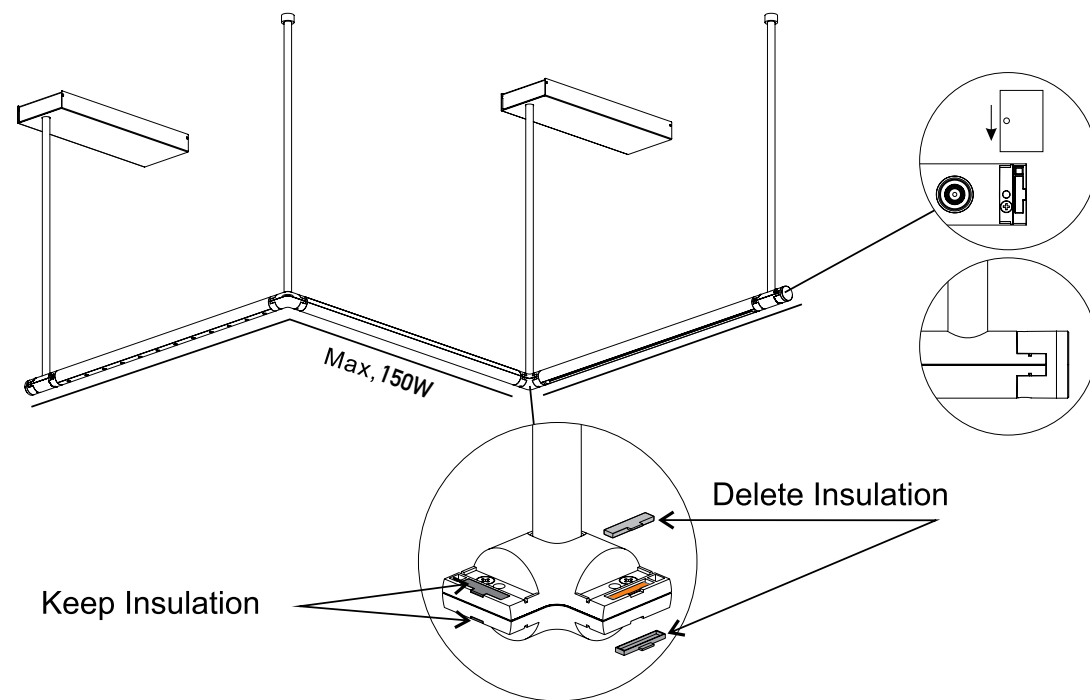
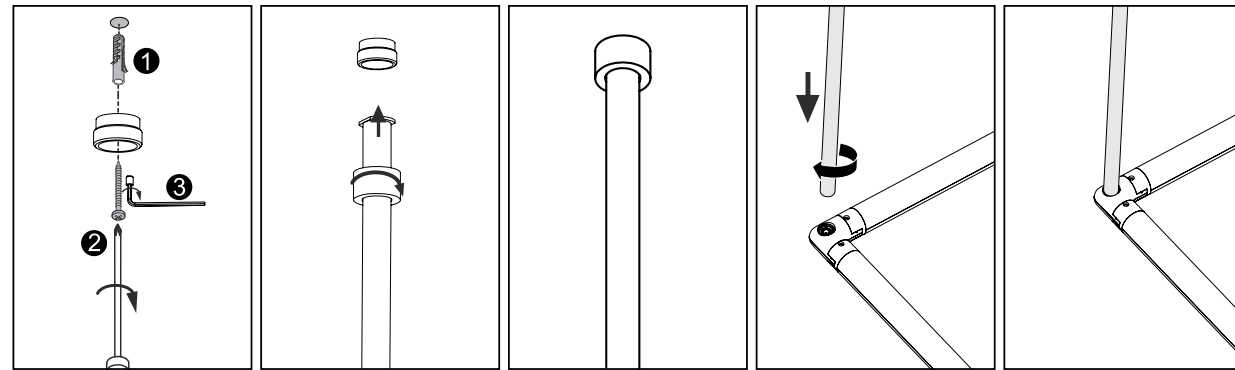
Power Input 11W | 23W | 34W
 Input 48V
 Color Temperature 3000K
 Lumen 985Lm | 1831Lm | 2726Lm
 Cri 90
 Dimensions Ø: 30mm L: 635mm | 1235mm | 1835mm
 Beam Angle 20°
 DALI Dimmable ☉
 Material Aluminium - Acrylic
 Color Black Matt



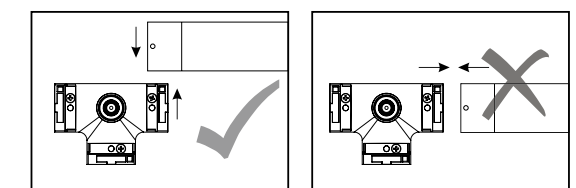
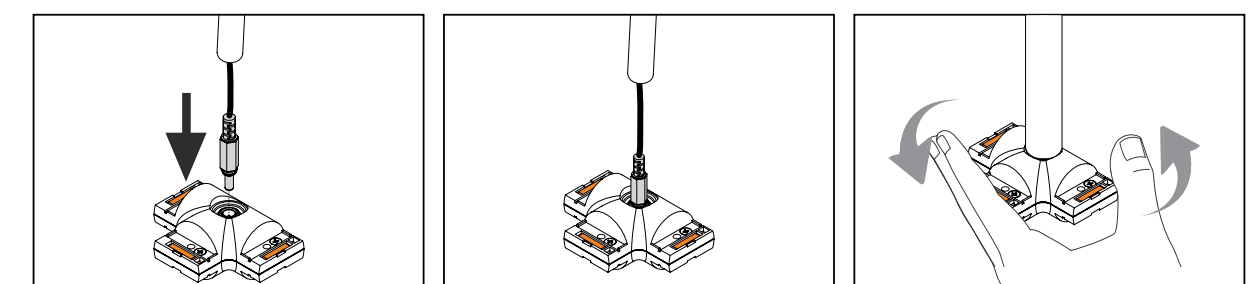
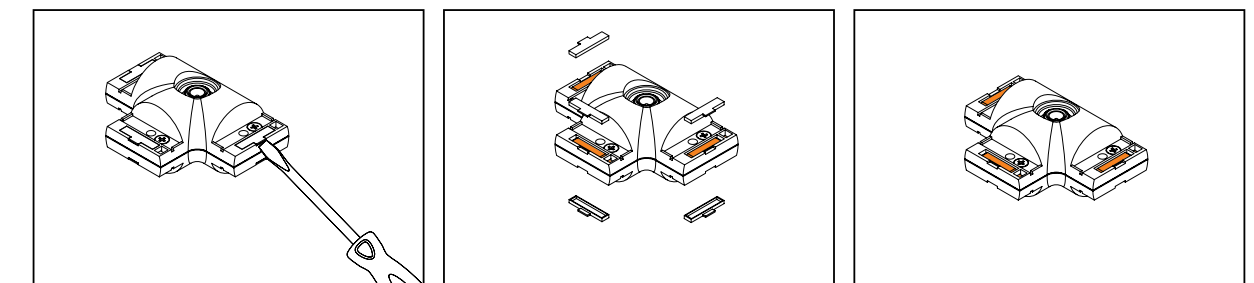
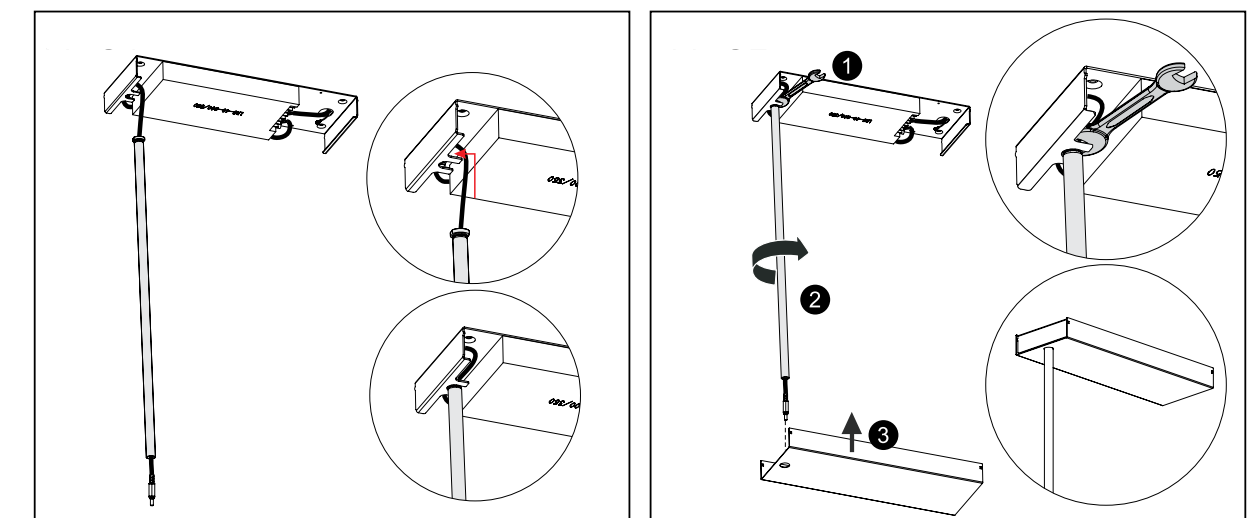
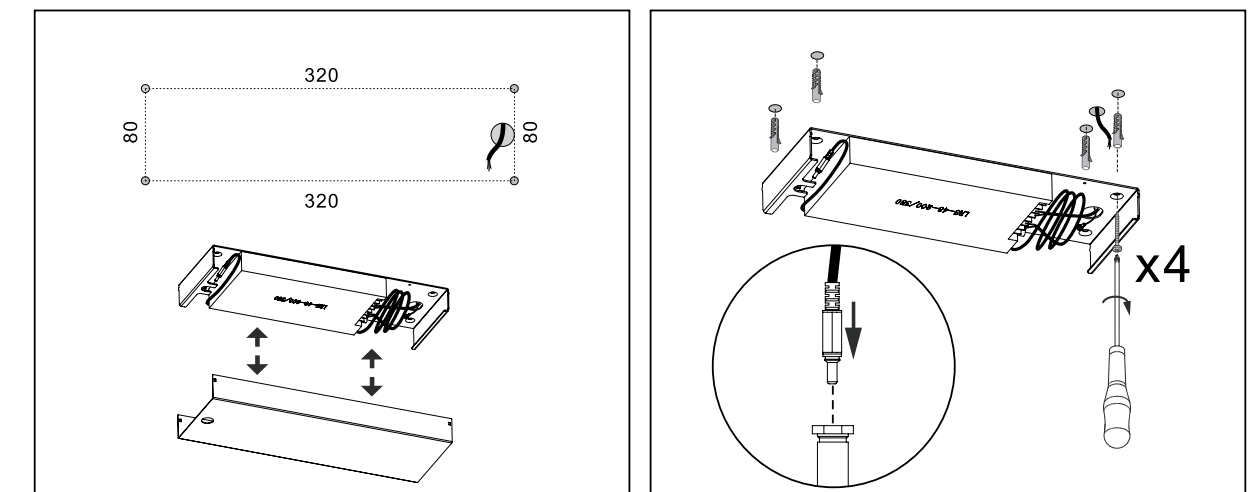
⚠ WARNING

Each group of circuits should not exceed 150W.

Circuit grouping, need to block the circuit.



Installation Guide



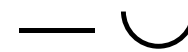
10. 24V FLEXIBLE CURVED SYSTEM



SYSTEM REFERENCE



Linear | Curved



INSTALLATION

Surface



BODY COLOR

Sandy Black



FIXTURE COLOR

Sandy Black | Gold Matt

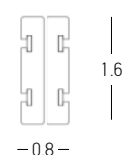




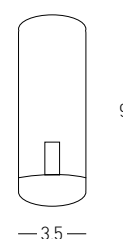
FLEXIBLE TRACK



Track Code	Size	Color
23178	2m	Sandy Black
23177	3m	Sandy Black

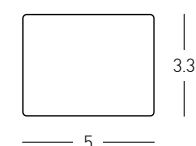


CEILING BASE



Dimensions \varnothing : 3.5cm H: 9cm
 Material Aluminium
 Color Sandy Black / **Code 23179**

TRACK CONNECTOR

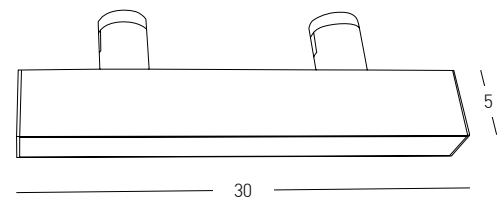


Dimensions L: 5cm W: 2cm H: 3.3cm
 Material Aluminium
 Color Sandy Black / **Code 23180**

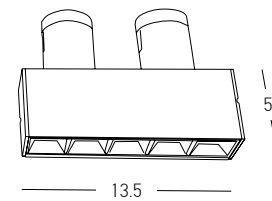




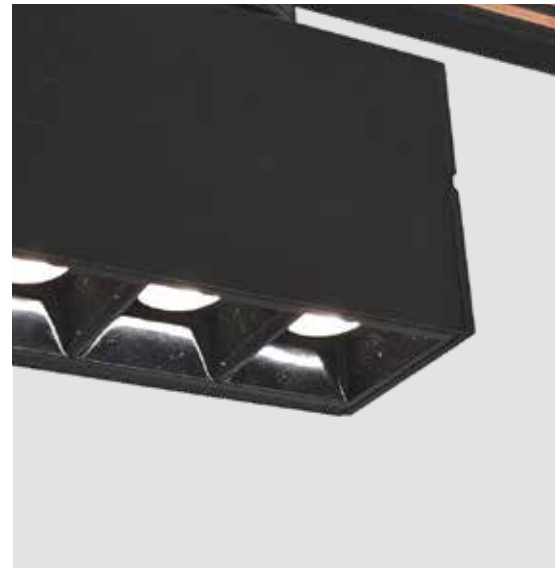
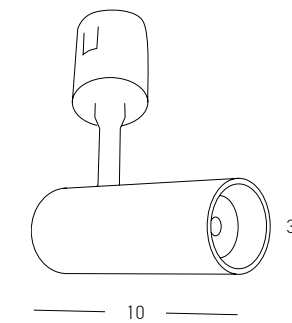
Power 10W
 Input 24V
 Color Temperature 3000K
 Lumen 832Lm
 Cri 90
 Dimensions L: 30cm W: 3.4cm H: 5cm
 Beam Angle 120°
 DALI Dimmable
 Material Aluminium - PC Diffuser
 Special Feature This light can also be used as connector between 2 tracks
 Color Sandy Black / **Code 23182**



Power 10W
 Input 24V
 Color Temperature 3000K
 Lumen 795Lm
 Cri 90
 Dimensions L: 13.5cm W: 3.4cm H: 5cm
 Beam Angle 40°
 DALI Dimmable
 Material Aluminium - Acrylic
 Color Sandy Black / **Code 23183**

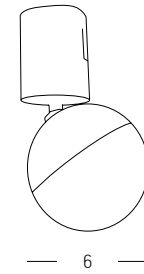


Power 5W
 Input 24V
 Color Temperature 3000K
 Lumen 378Lm
 Cri 80
 Dimensions Ø: 3.8cm H: 10cm
 Beam Angle 36°
 DALI Dimmable
 Material Aluminium
 Color Sandy Black / **Code 23184**
 Color Gold Matt / **Code 23185**



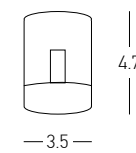


Power 6W
 Input 24V
 Color Temperature 3000K
 Lumen 470Lm
 Cri 90
 Dimensions Ø: 3cm H: 30cm
 Beam Angle 40°
 DALI Dimmable ☉
 Material Aluminium
 Special Feature 120cm Cable Adjustable
 Color Sandy Black / **Code 23186**



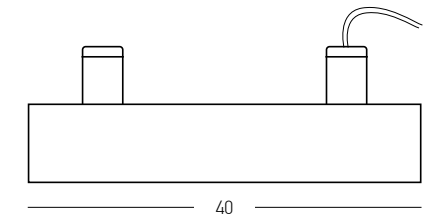
Power 5W
 Input 24V
 Color Temperature 3000K
 Lumen 281Lm
 Cri 80
 Dimensions Ø: 6cm
 DALI Dimmable ☉
 Material Aluminium
 Color Sandy Black / **Code 23187**
 Gold Matt / **Code 23188**

FEEDER FOR REMOTE DRIVER APPLICATION



Input 24V
 Dimensions Ø: 3.5cm H: 4.7cm
 Material Metal
 Special Feature 100cm Cable Available
 Included Ceiling Base
 D: 8cm for Wire Connection
 Color Sandy Black / **Code 23189**

BOX WITH DALI DRIVER 150W



Power 150W
 Input 220-240, 50-60Hz
 Output 24V
 Dimensions L: 40cm W: 3.5cm H: 5cm
 DALI Dimmable ☉
 Material Metal
 Special Feature 100cm Cable Available
 Included Ceiling Base
 D: 8cm for Wire Connection
 Color Sandy Black / **Code 23181**

REMOTE DRIVERS FOR 24V FLEXIBLE CURVED SYSTEM

REMOTE DRIVER 30W

Power 30W
 Input 220-240V, 50/60Hz
 Output 24V
 Dimensions W: 4.1cm H: 2.7cm L: 14.5cm
 Non Dimmable ☒ On-Off
 ELEMENT 30/220-240/24 G2
 Material Plastic
 Special Feature IP 20
 Color White / **Code 4052899605503**

REMOTE DRIVER 60W

Power 60W
 Input 220-240V, 50/60Hz
 Output 24V
 Dimensions W: 4.1cm H: 3.1cm L: 20.1cm
 Non Dimmable ☒ On-Off
 ELEMENT 60/220-240/24 G2
 Material Plastic
 Special Feature IP 20
 Color White / **Code 4052899605527**

REMOTE DRIVER 120W

Power 120W
 Input 220-240V, 50/60Hz
 Output 24V
 Dimensions W: 4.1cm H: 3.1cm L: 26cm
 Non Dimmable ☒ On-Off
 ELEMENT 120/220-240/24 G2
 Material Plastic
 Special Feature IP 20
 Color White / **Code 4052899605541**

REMOTE DRIVER 180W

Power 180W
 Input 220-240V, 50/60Hz
 Output 24V
 Dimensions W: 4cm H: 3.1cm L: 30cm
 Non Dimmable ☒ On-Off
 ELEMENT 180/220-240/24 G2
 Material Plastic
 Special Feature IP 20
 Color White / **Code 4052899605565**

11. 24V PLUG & PLAY SYSTEM



SYSTEM REFERENCE



FORM

Linear



FIXTURE COLOR

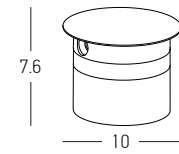
Sandy Black | Sandy White



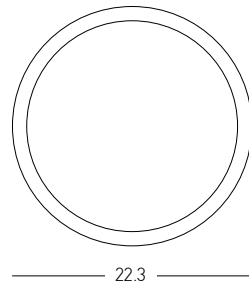
INSTALLATION

Surface | Pendant

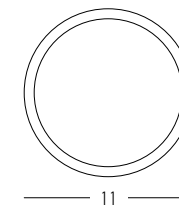
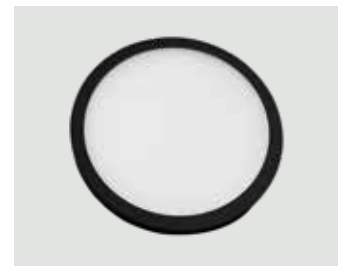




Power 3W
 Input 24V
 Color Temperature 3000K
 Lumen 285Lm
 Cri 80
 Dimensions Ø: 10cm H: 7.6cm
 Dimmable Triac
 Material Aluminium - PC Diffuser
 Special Feature Plug & Play With Jack System
 Color Sandy Black / **Code 19152**
 Color Sandy White / **Code 19151**



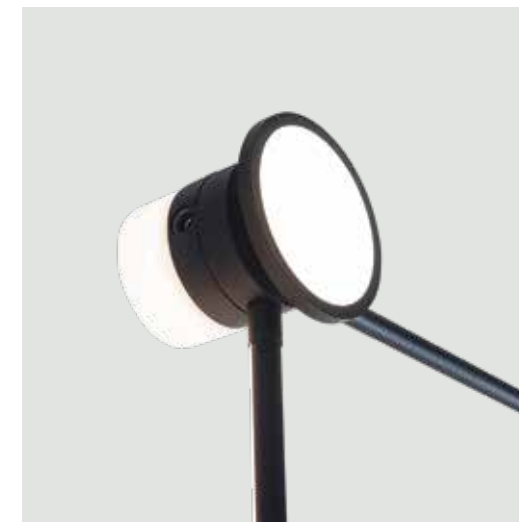
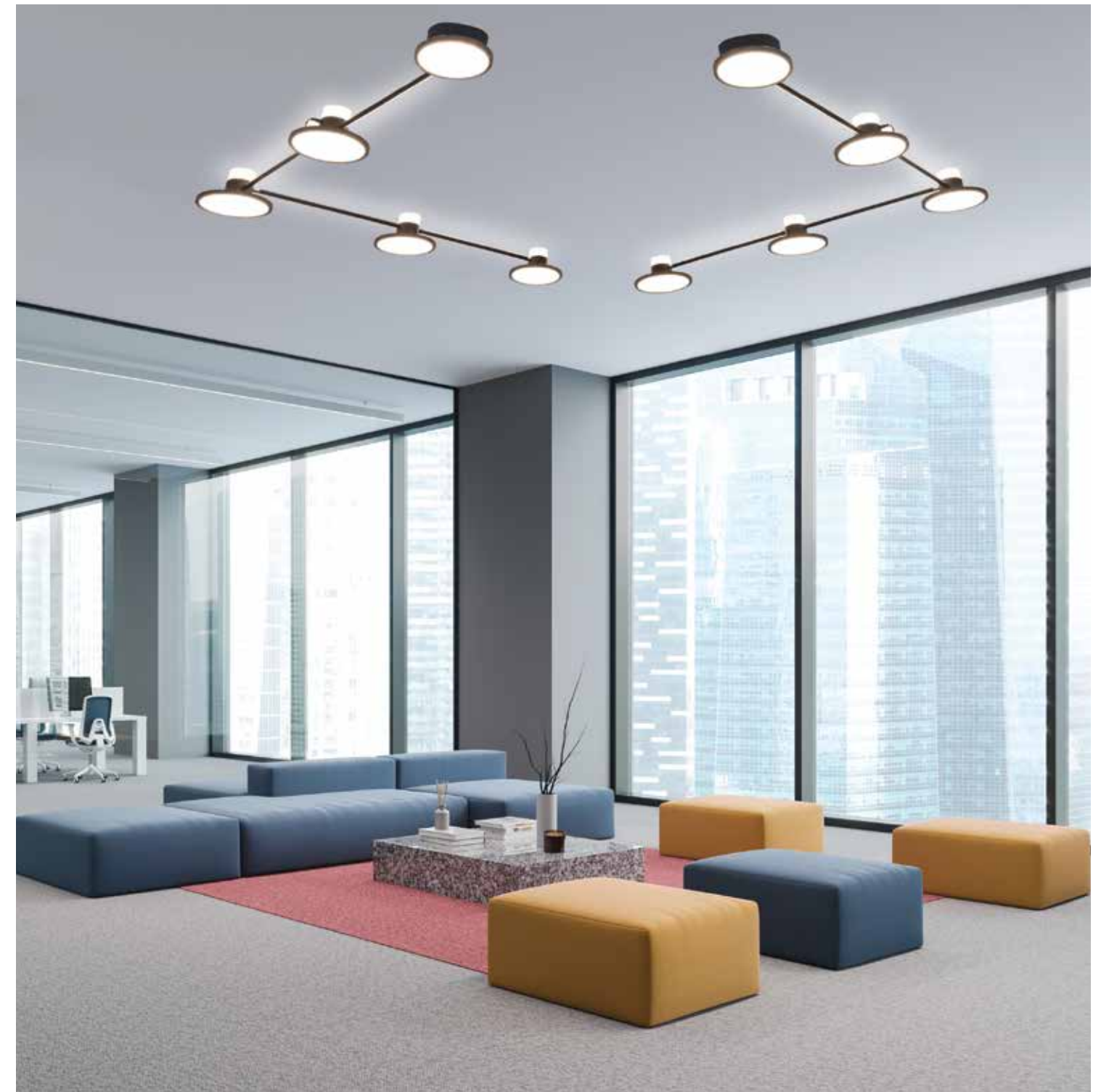
Power 20W
 Input 24V
 Color Temperature 3000K
 Lumen 1600Lm
 Cri 80
 Dimensions Ø: 22.3cm H: 3.8cm
 Non Dimmable
 Material Aluminium - Diffuser
 Special Feature Plug & Play With Jack System
 Color Sandy Black / **Code 19172**



Power 7W
 Input 24V
 Color Temperature 3000K
 Lumen 560Lm
 Cri 80
 Dimensions Ø: 11cm H: 3.8cm
 Non Dimmable
 Material Aluminium - Diffuser
 Special Feature Plug & Play With Jack System
 Color Sandy Black / **Code 19170**

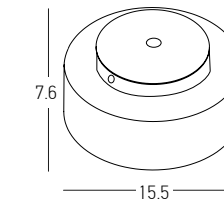


Power		4W	10W	18W	24W	30W
Input	24V					
Color Temperature	3000K					
Lumen		280Lm	700Lm	1260Lm	1680Lm	2100Lm
Cri	80					
Dimensions	Ø: 1.5cm	27cm	57cm	97cm	127cm	157cm
Dimmable Triac	<input type="radio"/>					
Material	Aluminium - Diffuser					
Special Feature	Plug & Play With Jack System					
Color	Sandy Black / Code	19158	19160	19162	19164	19166



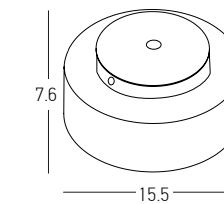


CEILING | WALL BASE 150W



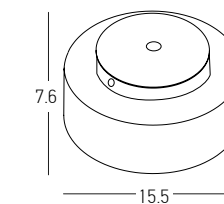
Power	150W
Input	220-240V, 50/60Hz
Output	24V
Dimensions	Ø: 15.5cm H: 7.6cm
Non Dimmable	☒
Material	Aluminium
Driver	Included
Special Feature	Plug & Play With Jack System
Color	Sandy Black / Code 20140

CEILING | WALL BASE 100W

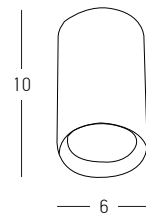


Power	100W
Input	220-240V, 50/60Hz
Output	24V
Dimensions	Ø: 15.5cm H: 7.6cm
Non Dimmable	☒
Material	Aluminium
Driver	Included
Special Feature	Plug & Play With Jack System
Color	Sandy Black / Code 19154
Color	Sandy White / Code 19153

CEILING | WALL BASE 100W



Power	100W
Input	220-240V, 50/60Hz
Output	24V
Dimensions	Ø: 15.5cm H: 7.6cm
Dimmable Triac	○
Material	Aluminium
Driver	Included
Special Feature	Plug & Play With Jack System Remote Control Included
Color	Sandy Black / Code 19156
Color	Sandy White / Code 19155



Power 5W
 Input 24V
 Color Temperature 3000K
 Lumen 475Lm
 Cri 80
 Dimensions Ø: 6cm H: 10cm
 Dimmable Triac
 Material Aluminium - PC Diffuser
 Special Feature Plug & Play With Jack System
 180cm Cable Adjustable

 Color Sandy Black / **Code 19168**
 Sandy White / **Code 19167**



12. CEILING-PENDANT-TRIMLESS CIRCLES

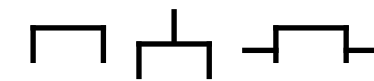


REFERENCE



INSTALLATION

Surface | Pendant | Trimless

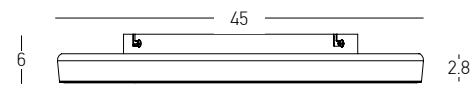
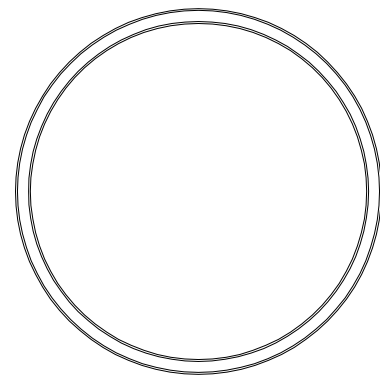
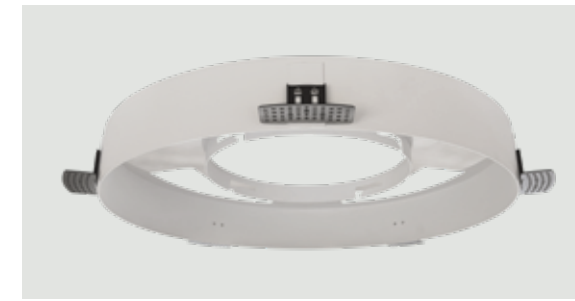


COLOR

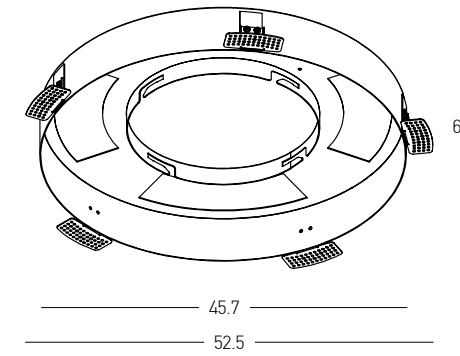
Sandy Black | Sandy White



Dimming On-Off, Dali & Push-Button
CCT 2700K - 4000K

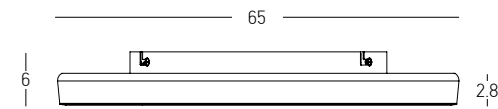
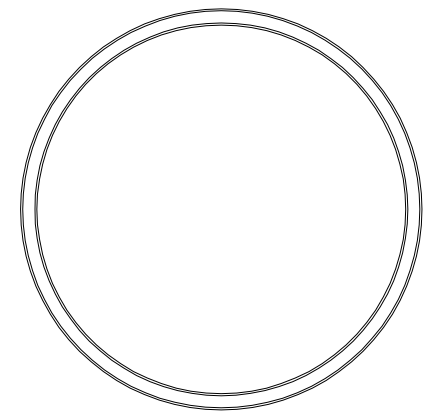


Power 42W
 Input 220-240V, 50/60Hz
 Color Temperature 2700K | 3200K | 4000K
 Lumen 2511Lm | 2777Lm | 2933Lm
 Cri 90
 Dimensions Ø: 45cm H: 6cm
 Base Ø: 24.5cm H: 3.5cm
 Beam Angle 100°
 DALI Dimmable
 Material Metal - Aluminium - Microprismatic Diffuser
 Color Sandy White / **Code 25197**
 Color Sandy Black / **Code 25198**

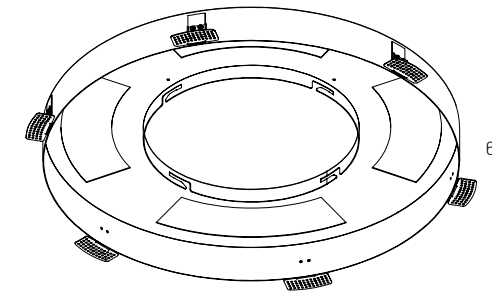


Trimless Frame for 25197, 25198
 Dimensions Ø: 45.7cm H: 6.5cm
 Cutting Hole Ø: 46.2cm
 Material Aluminium
 Depth Required ∇ L: 7cm
 Color Sandy White / **Code 25203**
 Color Sandy Black / **Code 25204**





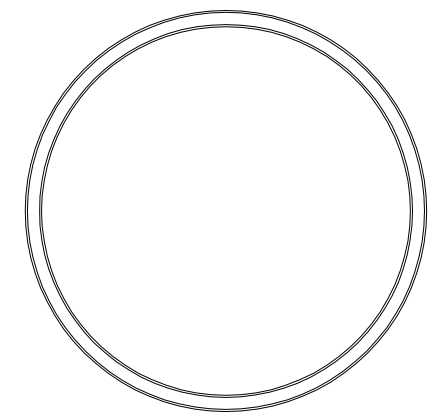
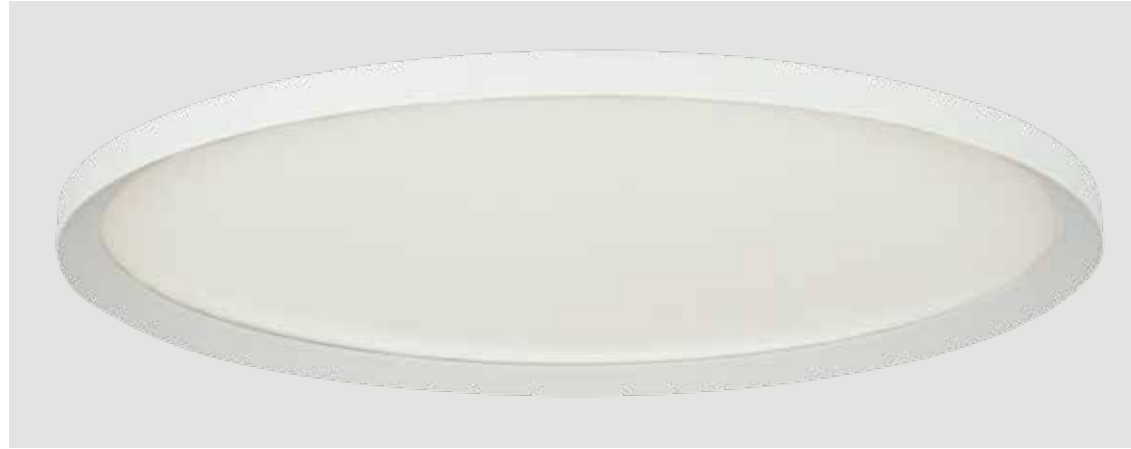
Power 56W
 Input 220-240V, 50/60Hz
 Color Temperature 2700K | 3200K | 4000K
 Lumen 4316Lm | 4512Lm | 4706Lm
 Cri 90
 Dimensions Ø: 65cm H: 6cm
 Base Ø: 34.5cm H: 3.5cm
 Beam Angle 100°
 DALI Dimmable 
 Material Metal - Aluminium - Microprismatic Diffuser
 Color Sandy White / **Code 25199**
 Color Sandy Black / **Code 25200**



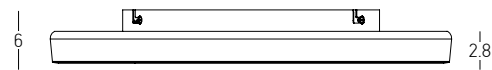
65.7
 72.6

Trimless Frame for 25199, 25200
 Dimensions Ø: 65.7cm H: 6.5cm
 Cutting Hole Ø: 66.2cm
 Material Aluminium
 Depth Required ITL: 7cm
 Color Sandy White / **Code 25205**
 Color Sandy Black / **Code 25206**

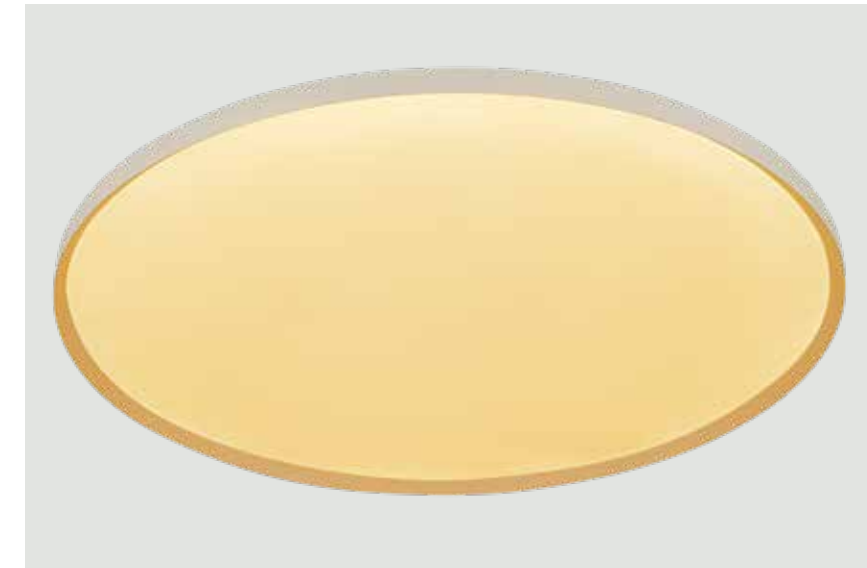




85



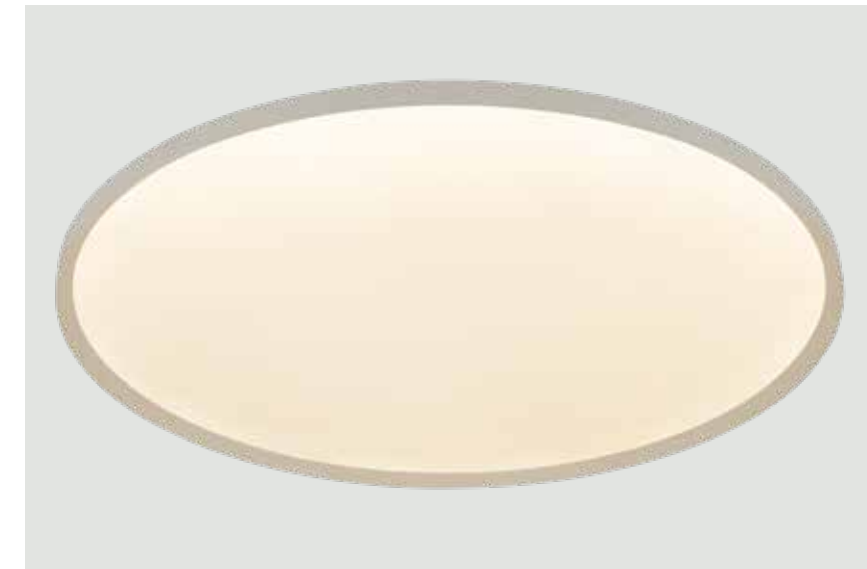
Power 84W
 Input 220-240V, 50/60Hz
 Color Temperature 2700K | 3200K | 4000K
 Lumen 6152Lm | 6486Lm | 6781Lm
 Cri 90
 Dimensions Ø: 85cm H: 6cm
 Base Ø: 54.5cm H: 3.5cm
 Beam Angle 100°
 DALI Dimmable ☉
 Material Metal - Aluminium - Microprismatic Diffuser
 Color Sandy Black / **Code 25201**
 Sandy White / **Code 25202**



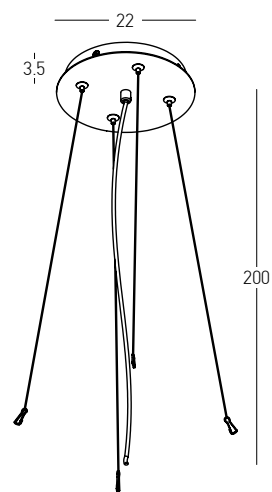
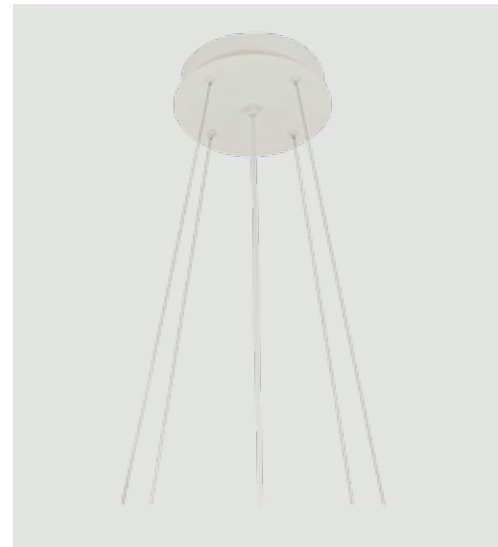
2700K



3200K



4000K

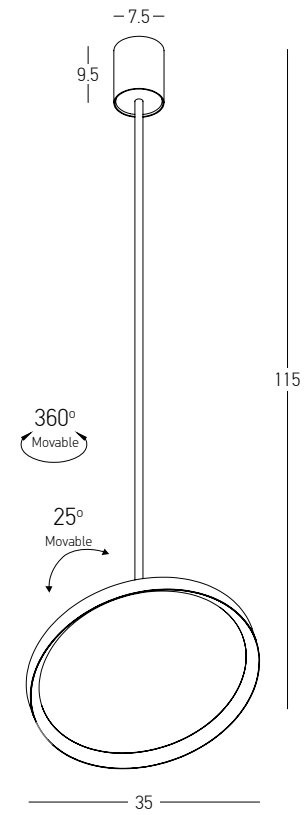


Suspension Kit for 25197, 25198, 25199, 25200, 25201, 25202

Dimensions Ø: 22cm H: 3.5cm
Material Stainless Steel - Aluminium
Special Feature 200cm Cable Adjustable
Adjustable Wires

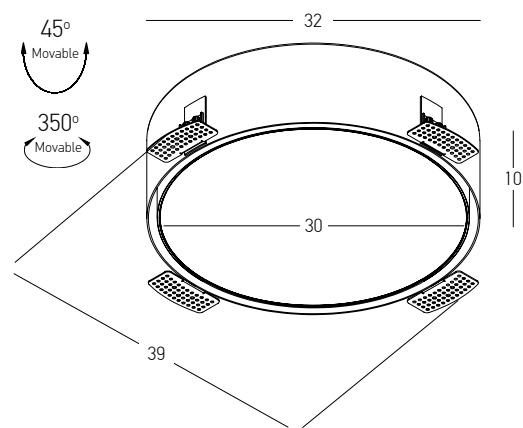
Color Sandy White / **Code 25207**
Color Sandy Black / **Code 25208**



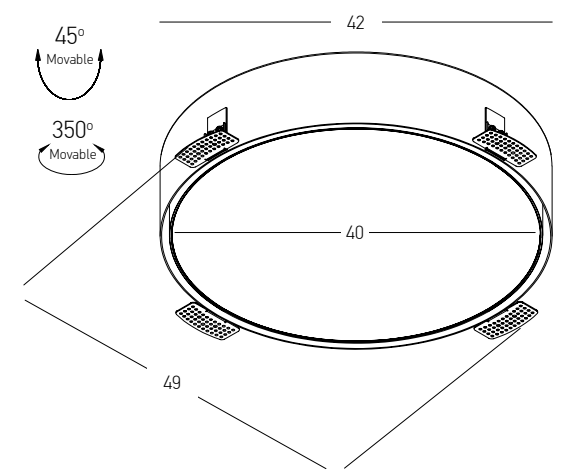


Power	36W
Input	220-240V, 50/60Hz
Color Temperature	2700K 3200K 4000K
Lumen	2198Lm 2357Lm 2495Lm
Cri	90
Dimensions	Ø: 35cm H: 115cm
Base	Ø: 7.5cm H: 9.5cm
Lighting Panel	Ø: 35cm H: 2.8cm
Beam Angle	100°
DALI Dimmable	☉
Material	Aluminium - Microprismatic Diffuser
Special Feature	Movable & Rotatable LED Panel
Color	Sandy White / Code 25209
Color	Sandy Black / Code 25210





Power 36W
 Input 220-240V, 50/60Hz
 Color Temperature 2700K | 3200K | 4000K
 Lumen 2672Lm | 2811Lm | 2958Lm
 Cri 90
 Dimensions Ø: 32cm H: 10cm
 Beam Angle 100°
 Cutting Hole Ø: 32.5cm
 DALI Dimmable ☉
 Material Metal - Aluminium - Acrylic
 Depth Required 10.5cm
 Special Feature Rotatable - Tilt Up Down
 Color Sandy White / **Code 25211**
 Color Sandy Black / **Code 25212**



Power 42W
 Input 220-240V, 50/60Hz
 Color Temperature 2700K | 3200K | 4000K
 Lumen 2900Lm | 3032Lm | 3166Lm
 Cri 90
 Dimensions Ø: 42cm H: 10cm
 Beam Angle 100°
 Cutting Hole Ø: 42.5cm
 DALI Dimmable ☉
 Material Metal - Aluminium - Acrylic
 Depth Required 10.5cm
 Special Feature Rotatable - Tilt Up Down
 Color Sandy White / **Code 25213**
 Color Sandy Black / **Code 25214**

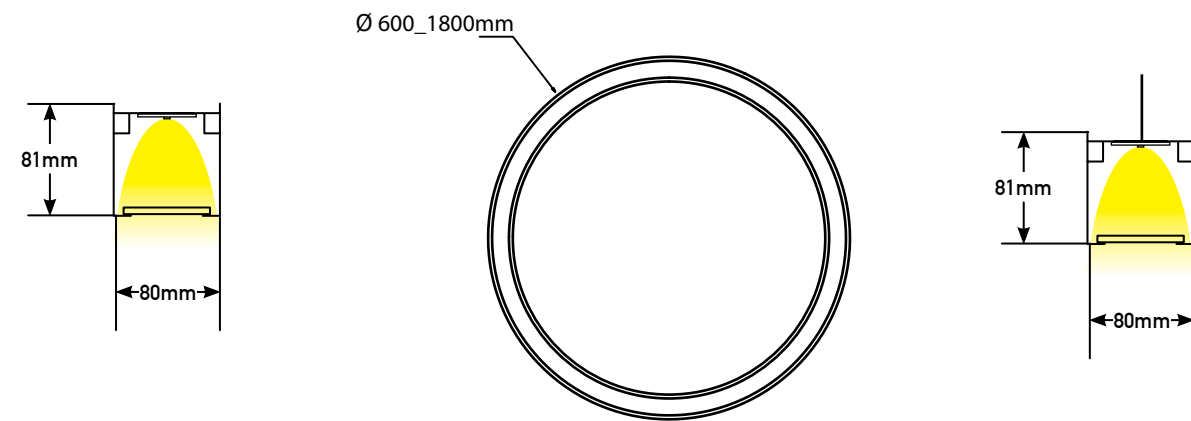


CUSTOM MADE PRODUCTS...



LED Circle Luminaire. This luminaire features a curved extruded aluminium body with a fine sandy powder-coated finish, designed for ceiling or pendant mounting. It delivers direct light through a polycarbonate diffuser, ensuring a nearly uniform and comfortable light distribution. Equipped with the latest generation of high-performance LED boards. Operates with an ON/OFF or DALI driver.

* CUSTOM DIAMETER FROM 50cm
UPON REQUEST



Ceiling Your Code : **81**

Diameter	Driver	Kelvin	Body Color
----------	--------	--------	------------

Pendant Your Code : **82**

Diameter	Driver	Kelvin	Body Color
----------	--------	--------	------------

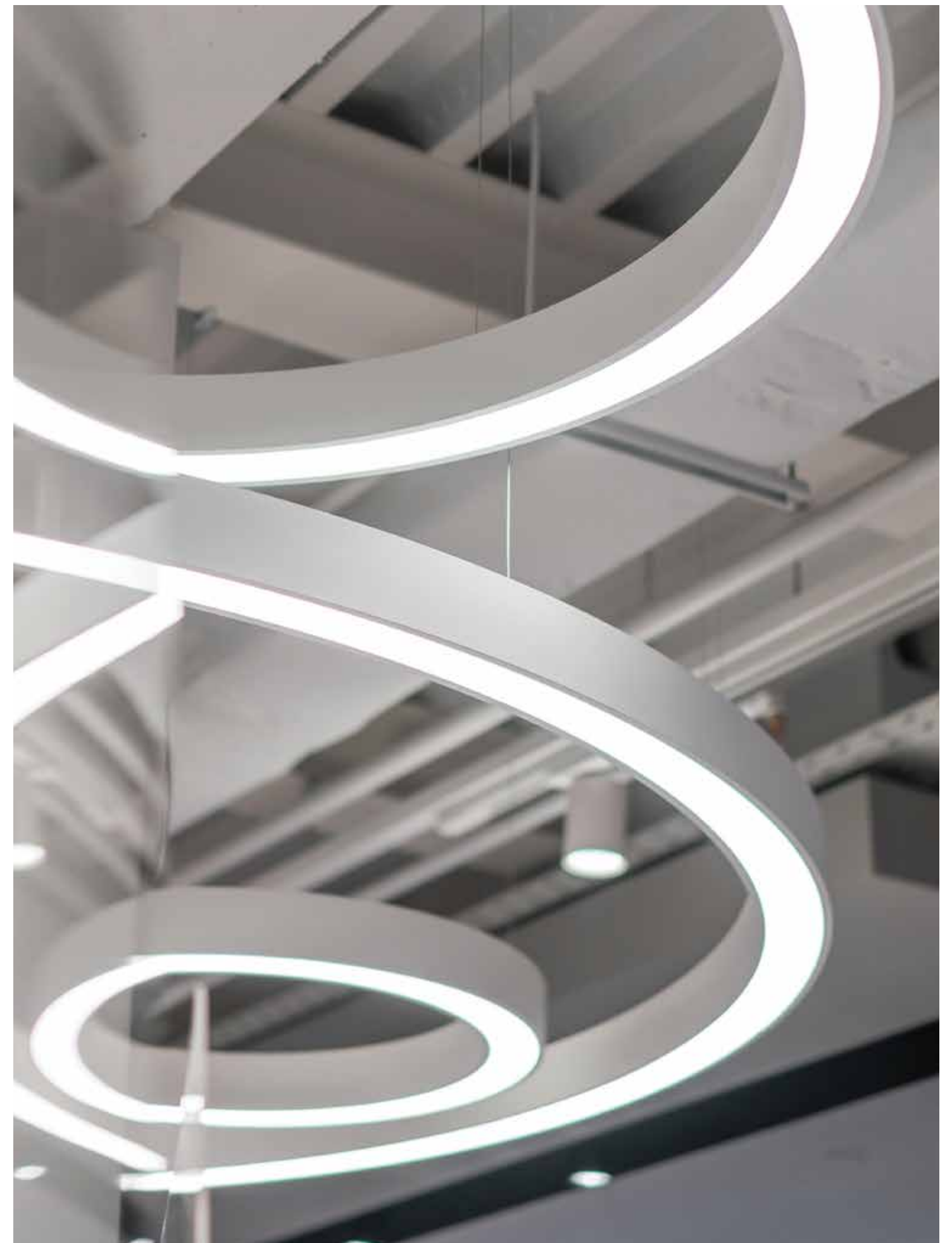
Select technical features to configure your code.

Diameter*	Driver	Kelvin	Body Color
06 = 60cm	0 = ON-OFF	3 = 3000K	W = SANDY WHITE
09 = 90cm	D = DALI	4 = 4000K	B = SANDY BLACK
12 = 120cm			
18 = 180cm			

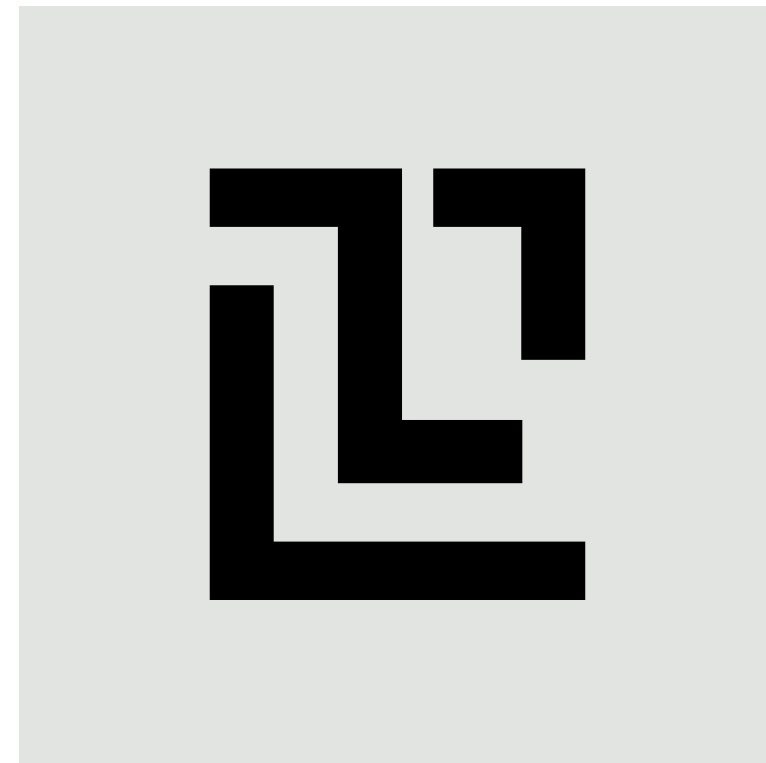
*Select from available dimensions only, is not an open edit length profile.

High Output

Diameter (cm)	Watt	3000K (Lumen)	4000K (Lumen)
60	45	7267	7650
90	75	10858	11430
120	100	14449	15210
180	150	21660	22800



13. LINEARS



REFERENCE



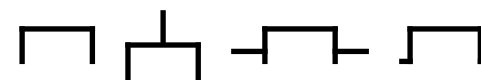
TRACK FORMS

Linear



INSTALLATION

Surface | Pendant | Trimless | Recessed



BODY COLOR

Sandy Black | Sandy White | Sandy Grey



Different Dimming On-Off, Dali & Bluetooth

Different CCT 2200K - 6500K

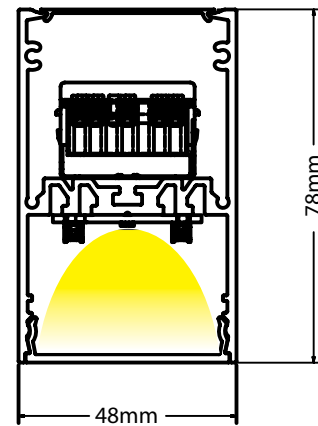
Different Colors

Different Levels of Lumen Output

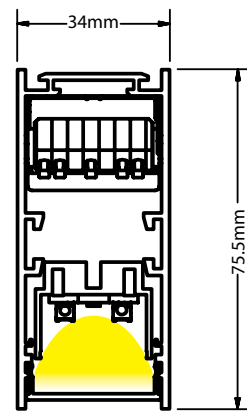
Different Dimension Upon Request



48mm LED profile luminaire, made of an extruded aluminium, power-coated with fine sandy finish. Designed for ceiling/pendant/trimless/recessed, providing direct light emission through a diffuser made of satined polycarbonate for an almost homogeneous emission of light. Luminaire equipped with the latest generation of well known LED boards with small color tolerance.



34mm LED profile luminaire, made of an extruded aluminium, power-coated with fine sandy finish. Designed for ceiling/pendant/trimless/recessed mounting, providing direct light emission through PMMA diffuser. Luminaire equipped with the latest generation of well known LED boards with small color tolerance.



CUSTOM MADE PRODUCTS...



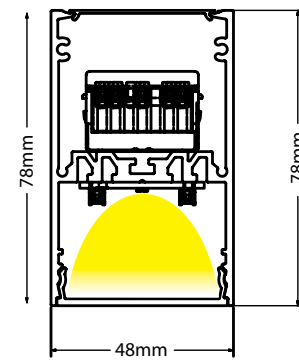
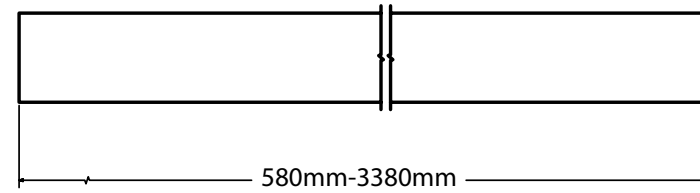
In the following Electrical Table, you may find Watt and Lumen Output.

High Efficiency (HE) 200Lm/W - 3357Lm/m, High Output (HO) 188Lm/W - 5640Lm/m according to the length of our LED profile

Set HE		Lumen		Set HO		Lumen	
Length (cm)	Watt	3000K	4000K	Length (cm)	Watt	3000K	4000K
58	10	1577	1660	58	18	2565	2700
86	15	2366	2490	86	27	3848	4050
114	20	3154	3320	114	36	5130	5400
142	25	3943	4150	142	45	6413	6750
170	30	4731	4980	170	54	7695	8100
198	35	5520	5810	198	63	8978	9450
226	40	6308	6640	226	72	10260	10800
254	45	7097	7470	254	81	11543	12150
282	50	7885	8300	282	90	12825	13500
310	55	8674	9130	310	99	14108	14850
338	60	9462	9960	338	108	15390	16200



CEILING



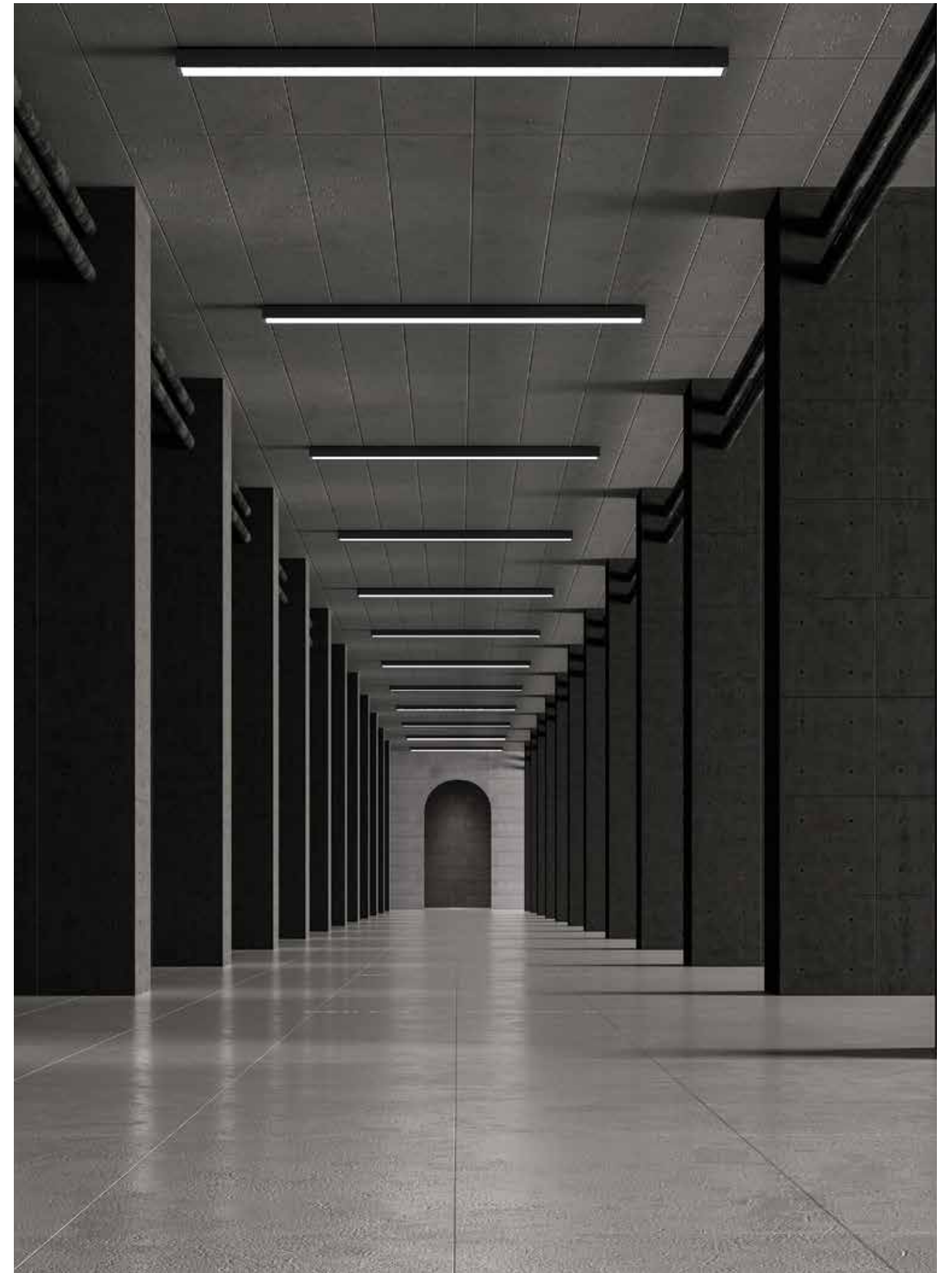
Your Code : **51**

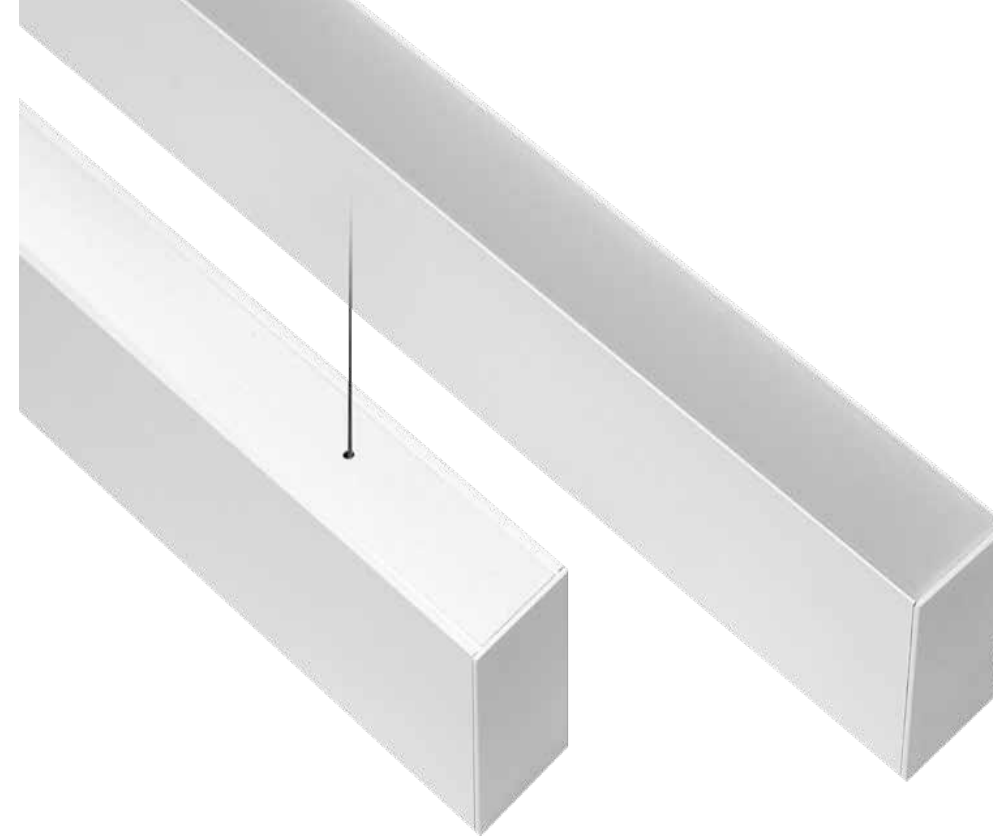
Length	Driver	Kelvin	Set	Body Color

Select technical features to configure your code.

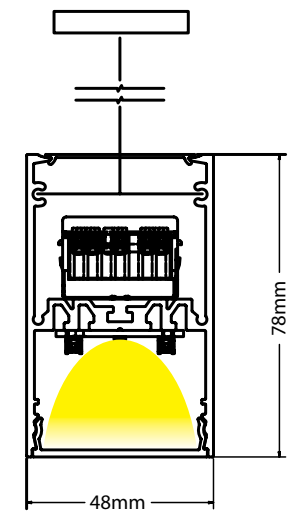
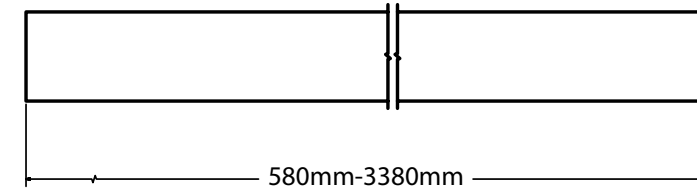
Length*	Driver	Kelvin	Set	Body Color
058 = 58cm	O = ON-OFF	3 = 3000K	E = HE	W = SANDY WHITE
086 = 86cm	D = DALI	4 = 4000K	O = HO	B = SANDY BLACK
114 = 114cm				G = SANDY GREY
142 = 142cm				
170 = 170cm				
198 = 198cm				
226 = 226cm				
254 = 254cm				
282 = 282cm				
310 = 310cm				
338 = 338cm				

*Select from available dimensions only, is not an open edit length profile.





PENDANT



Your Code : **52**

Length	Driver	Kelvin	Set	Body Color
--------	--------	--------	-----	------------

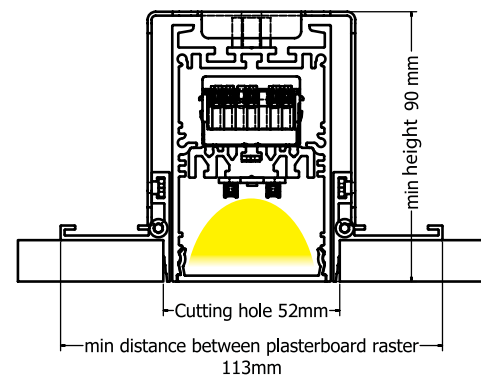
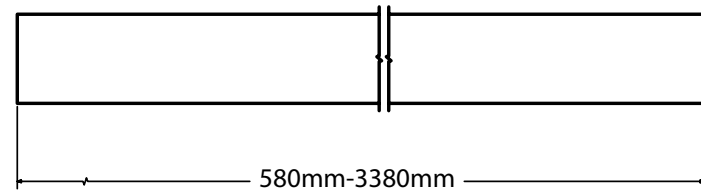
Select technical features to configure your code.

Length*	Driver	Kelvin	Set	Body Color
058 = 58cm	O = ON-OFF	3 = 3000K	E = HE	W = SANDY WHITE
086 = 86cm	D = DALI	4 = 4000K	O = HO	B = SANDY BLACK
114 = 114cm				G = SANDY GREY
142 = 142cm				
170 = 170cm				
198 = 198cm				
226 = 226cm				
254 = 254cm				
282 = 282cm				
310 = 310cm				
338 = 338cm				

*Select from available dimensions only. is not an open edit length profile.



TRIMLESS



Your Code : **53**

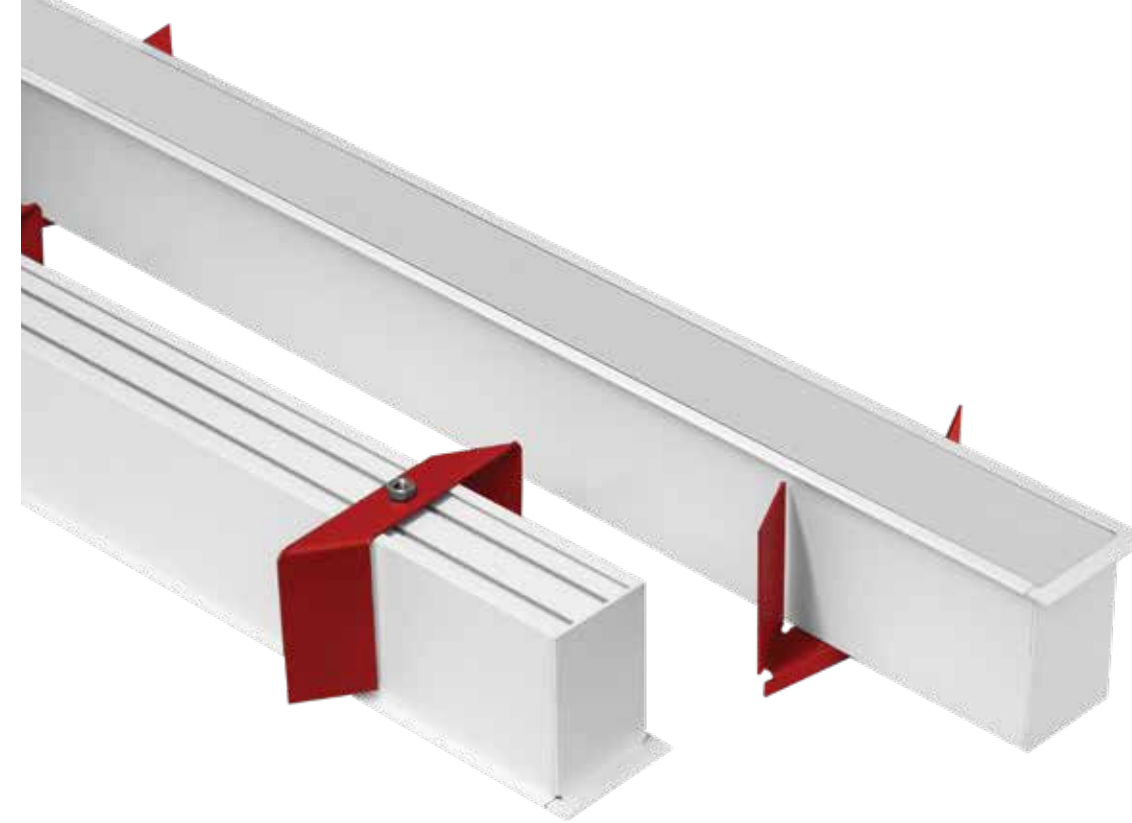
Length	Driver	Kelvin	Set	Body Color
--------	--------	--------	-----	------------

Select technical features to configure your code.

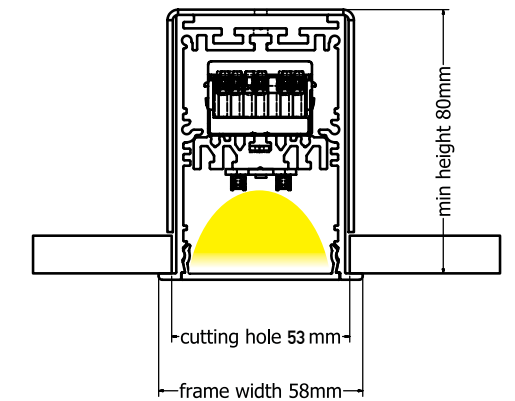
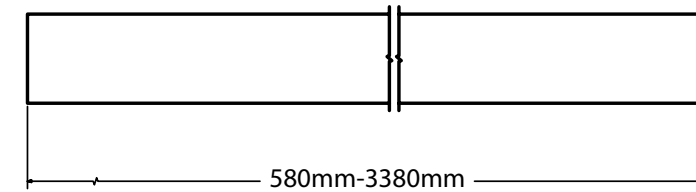
Length*	Driver	Kelvin	Set	Body Color
058 = 58cm	O = ON-OFF	3 = 3000K	E = HE	W = SANDY WHITE
086 = 86cm	D = DALI	4 = 4000K	O = HO	B = SANDY BLACK
114 = 114cm				
142 = 142cm				
170 = 170cm				
198 = 198cm				
226 = 226cm				
254 = 254cm				
282 = 282cm				
310 = 310cm				
338 = 338cm				

*Select from available dimensions only, is not an open edit length profile.





RECESSED



Your Code : **54**

Length	Driver	Kelvin	Set	Body Color

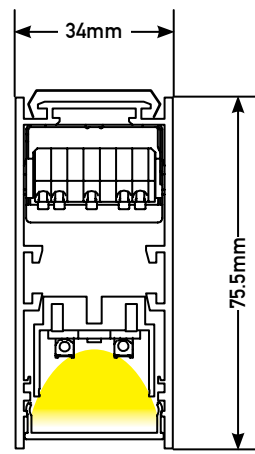
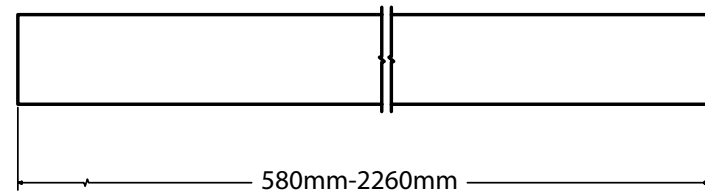
Select technical features to configure your code.

Length*	Driver	Kelvin	Set	Body Color
058 = 58cm	O = ON-OFF	3 = 3000K	E = HE	W = SANDY WHITE
086 = 86cm	D = DALI	4 = 4000K	O = HO	B = SANDY BLACK
114 = 114cm				
142 = 142cm				
170 = 170cm				
198 = 198cm				
226 = 226cm				
254 = 254cm				
282 = 282cm				
310 = 310cm				
338 = 338cm				

*Select from available dimensions only, is not an open edit length profile.



CEILING



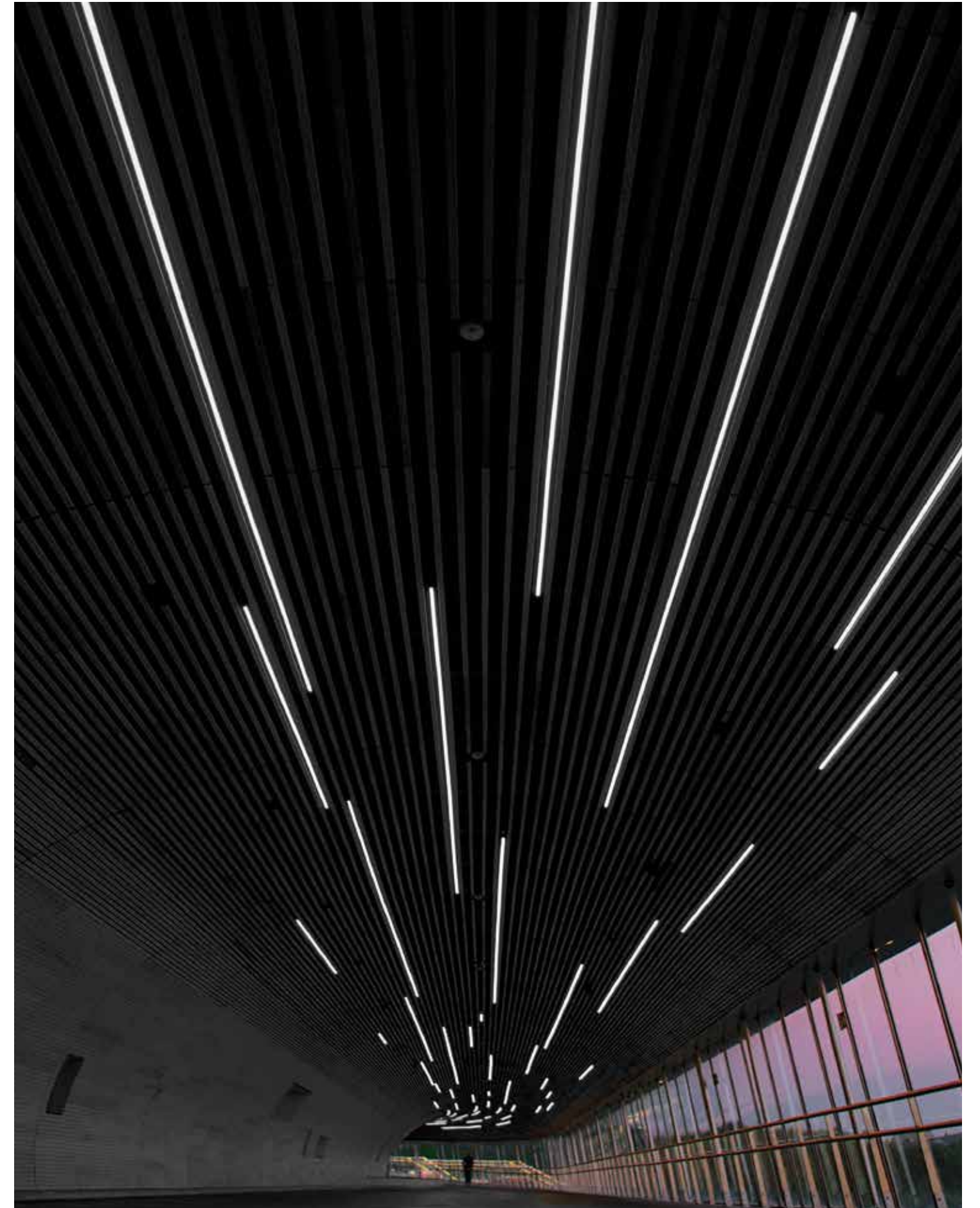
Your Code : **31**

Length	Driver	Kelvin	Set	Body Color
31				

Select technical features to configure your code.

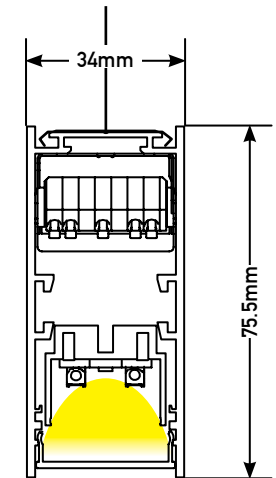
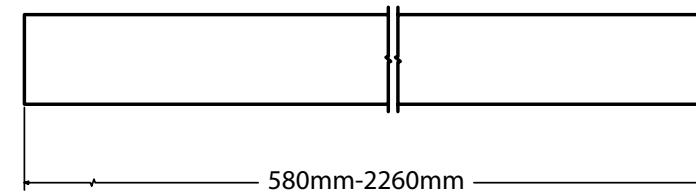
Length*	Driver	Kelvin	Set	Body Color
058 = 58cm	O = ON-OFF	3 = 3000K	E = HE	W = SANDY WHITE
086 = 86cm	D = DALI	4 = 4000K	O = HO	B = SANDY BLACK
114 = 114cm				
142 = 142cm				
170 = 170cm				
198 = 198cm				
226 = 226cm				

*Select from available dimensions only. is not an open edit length profile.





PENDANT



Your Code : **32**

Length	Driver	Kelvin	Set	Body Color

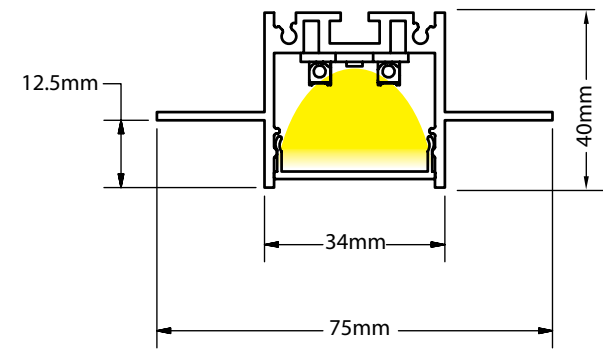
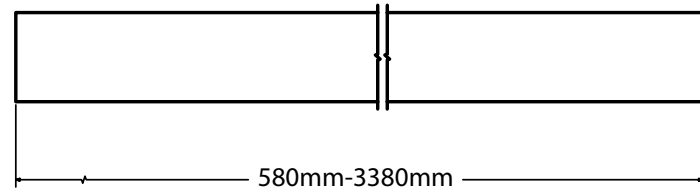
Select technical features to configure your code.

Length*	Driver	Kelvin	Set	Body Color
058 = 58cm	O = ON-OFF	3 = 3000K	E = HE	W = SANDY WHITE
086 = 86cm	D = DALI	4 = 4000K	O = HO	B = SANDY BLACK
114 = 114cm				
142 = 142cm				
170 = 170cm				
198 = 198cm				
226 = 226cm				

*Select from available dimensions only, is not an open edit length profile.



TRIMLESS



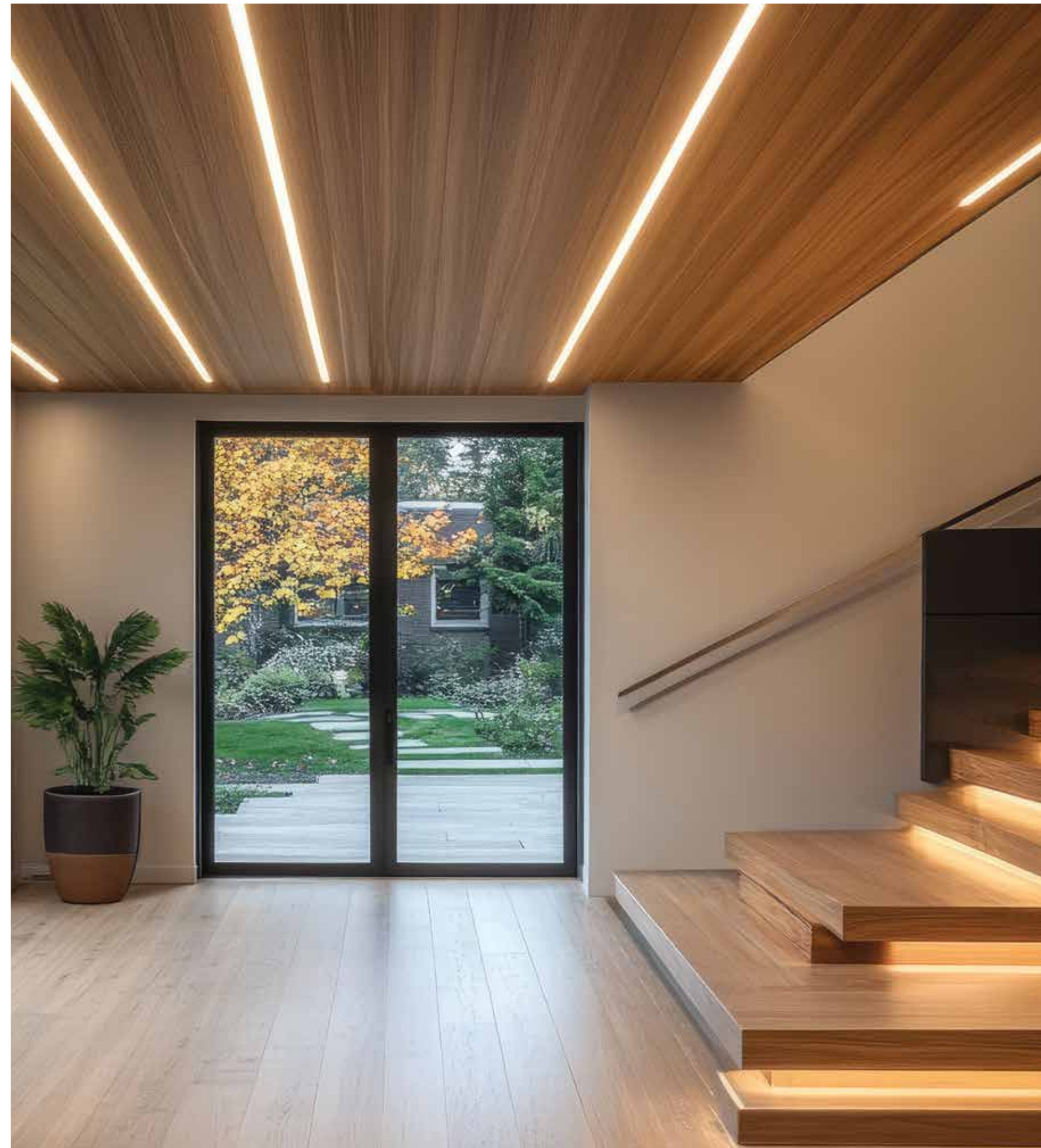
Your Code : **33**

Length	Driver	Kelvin	Set	Body Color
--------	--------	--------	-----	------------

Select technical features to configure your code.

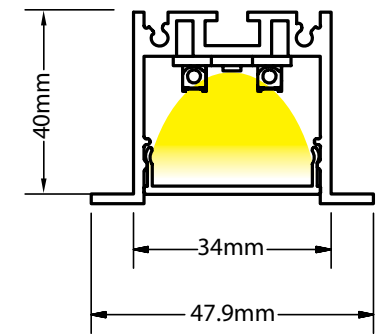
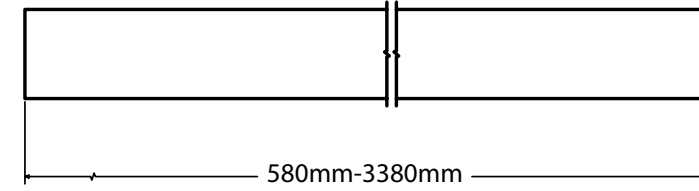
Length*	Driver	Kelvin	Set	Body Color
058 = 58cm	O = ON-OFF	3 = 3000K	E = HE	W = SANDY WHITE
086 = 86cm	D = DALI	4 = 4000K	O = HO	B = SANDY BLACK
114 = 114cm				
142 = 142cm				
170 = 170cm				
198 = 198cm				
226 = 226cm				
254 = 254cm				
282 = 282cm				
310 = 310cm				
338 = 338cm				

*Select from available dimensions only, is not an open edit length profile.





RECESSED



Your Code : **34**

Length	Driver	Kelvin	Set	Body Color
--------	--------	--------	-----	------------

Select technical features to configure your code.

Length*	Driver	Kelvin	Set	Body Color
058 = 58cm	O = ON-OFF	3 = 3000K	E = HE	W = SANDY WHITE
086 = 86cm	D = DALI	4 = 4000K	O = HO	B = SANDY BLACK
114 = 114cm				
142 = 142cm				
170 = 170cm				
198 = 198cm				
226 = 226cm				
254 = 254cm				
282 = 282cm				
310 = 310cm				
338 = 338cm				

*Select from available dimensions only. is not an open edit length profile.

14. 3-PHASE TRACKS & LIGHTS



REFERENCE



TRACK FORMS

Linear



BODY COLOR

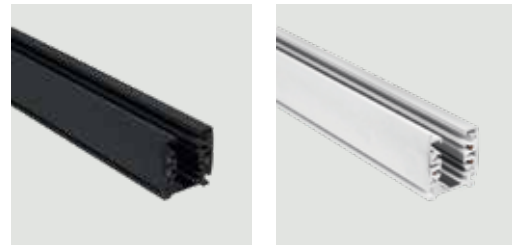
Sandy Black | Sandy White



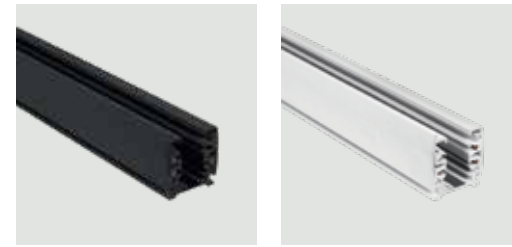
INSTALLATION

Surface | Pendant





Dimensions
Description L: 300cm W: 3.2cm H: 3.5cm
Square Track Surface 100-240V
Color
Color Black / **Code 19400**
White / **Code 19401**



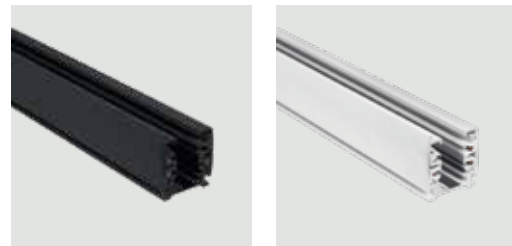
Dimensions
Description L: 200cm W: 3.2cm H: 3.5cm
Square Track Surface 100-240V
Color
Color Black / **Code 19400-2M**
White / **Code 19401-2M**



Dimensions
Description L: 17cm W: 10cm H: 3.4cm
T Connector for 3 Circuit Lighting Track
100-240V
Color
Color Black / **Code 19408**
White / **Code 19409**



Dimensions
Description L: 10cm W: 10cm H: 3.4cm
Corner for 3 Circuit Lighting Track
100-240V
Special Feature
Color
Color Black-Right / **Code 19404-R**
Black-Left / **Code 19404-L**
White-Right / **Code 19405-R**
White-Left / **Code 19405-L**



Dimensions
Description L: 100cm W: 3.2cm H: 3.5cm
Square Track Surface 100-240V
Color
Color Black / **Code 19400-1M**
White / **Code 19401-1M**



Dimensions
Description L: 400cm W: 3.2cm H: 3.5cm
Square Track Surface 100-240V
Color
Color Black / **Code 19400-4M**
White / **Code 19401-4M**



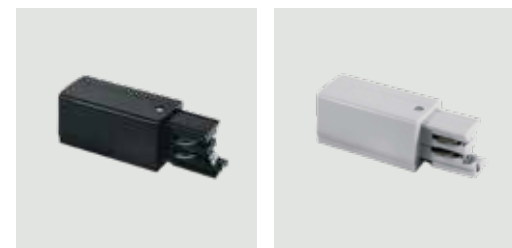
Dimensions
Description Ø: 11.2cm H: 3.2cm
Surface Mount Base for Track Spots
100-240V
Color
Color Black / **Code 19412**
White / **Code 19413**



Dimensions
Description L: 7cm H: 2.6cm
Inner Connector for 3 Circuit Lighting Track
100-240V
Color
Color Black / **Code 19415**
White / **Code 19416**



Dimensions
Description L: 17cm H: 3.4cm
Live Connector for 3 Circuit Lighting Track
100-240V
Color
Color Black / **Code 19406**
White / **Code 19407**



Dimensions
Description L: 10cm H: 3.4cm
Feeder for 3 Circuit Lighting Track
100-240V
Special Feature
Color
Color Black-Right / **Code 19402-R**
Black-Left / **Code 19402-L**
White-Right / **Code 19403-R**
White-Left / **Code 19403-L**



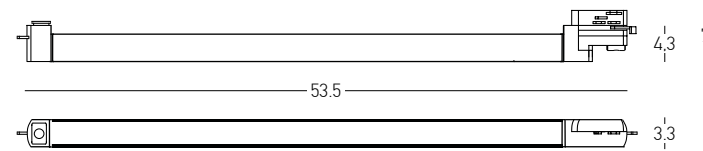
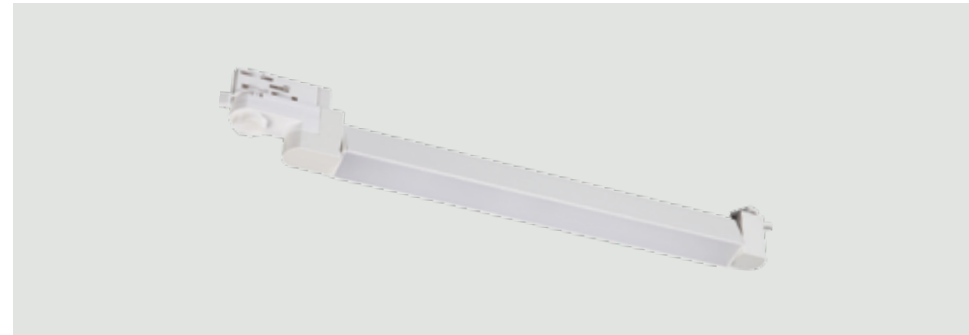
Dimensions
Description L: 3.2cm H: 3.2cm
End Cap for 3 Circuit Lighting Track
100-240V
Color
Color Black / **Code 19410**
White / **Code 19411**



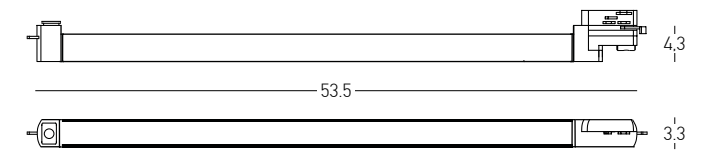
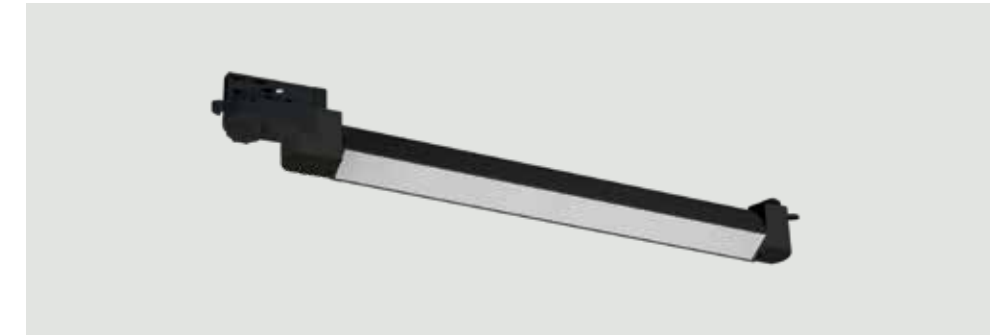
Dimensions
Description L: 17cm H: 3.4cm
Flex Connector for 3 Circuit Lighting Track
100-240V
Color
Color Black / **Code 19430**
White / **Code 19431**



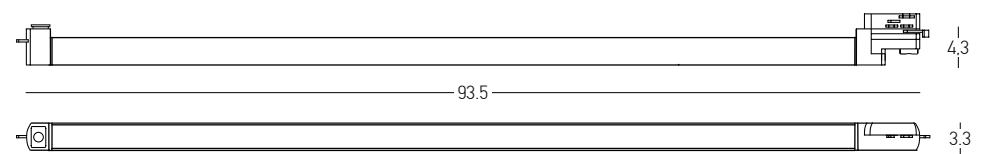
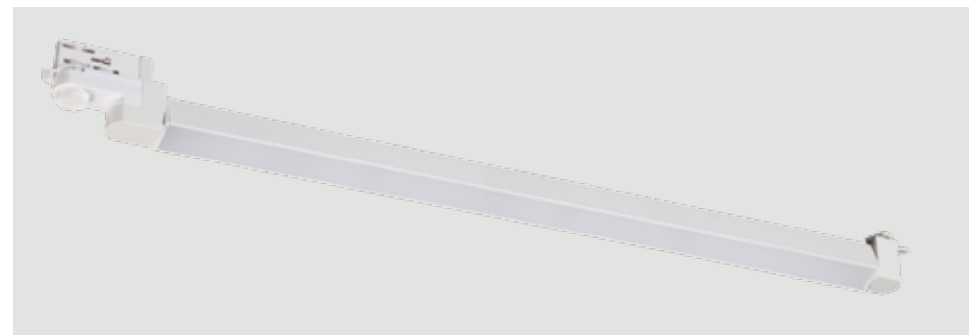
Dimensions
Description 200cm
Adjustable Wire for 3 Circuit Lighting Track
100-240V
Material
Color Metallic / **Code 19414**



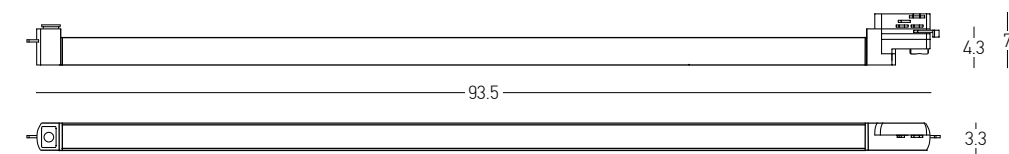
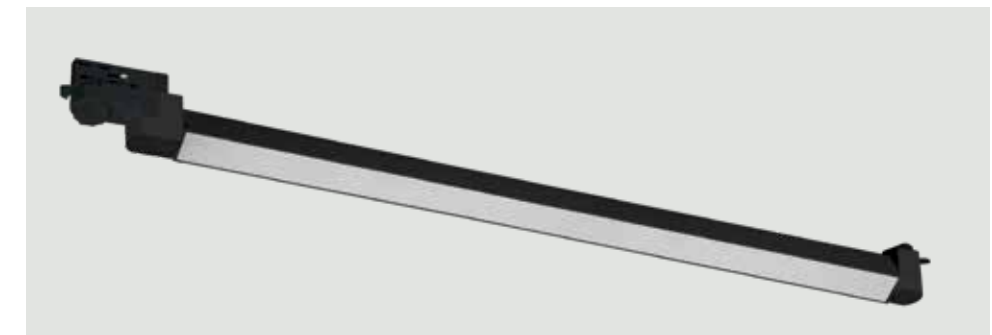
Power	20W
Input	220-240V, 50/60Hz
Color Temperature	3000K 4000K
Lumen	1587Lm 1673Lm
Cri	90
Dimensions	L: 53.5cm W: 3.3cm H: 7cm
Beam Angle	100°
Material	Aluminium - PC Diffuser
Special Feature	3 Phase Track Light Movable
Color	3000K Sandy White / Code S240
Color	4000K Sandy White / Code S239



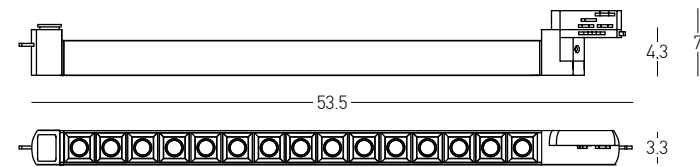
Power	20W
Input	220-240V, 50/60Hz
Color Temperature	2700K 3000K 4000K
Lumen	1414Lm 1493Lm 1622Lm
Cri	90
Dimensions	L: 53.5cm W: 3.3cm H: 7cm
Beam Angle	100°
Material	Aluminium - PC Diffuser
Special Feature	3 Phase Track Light Movable
Color	Sandy Black / Code S238



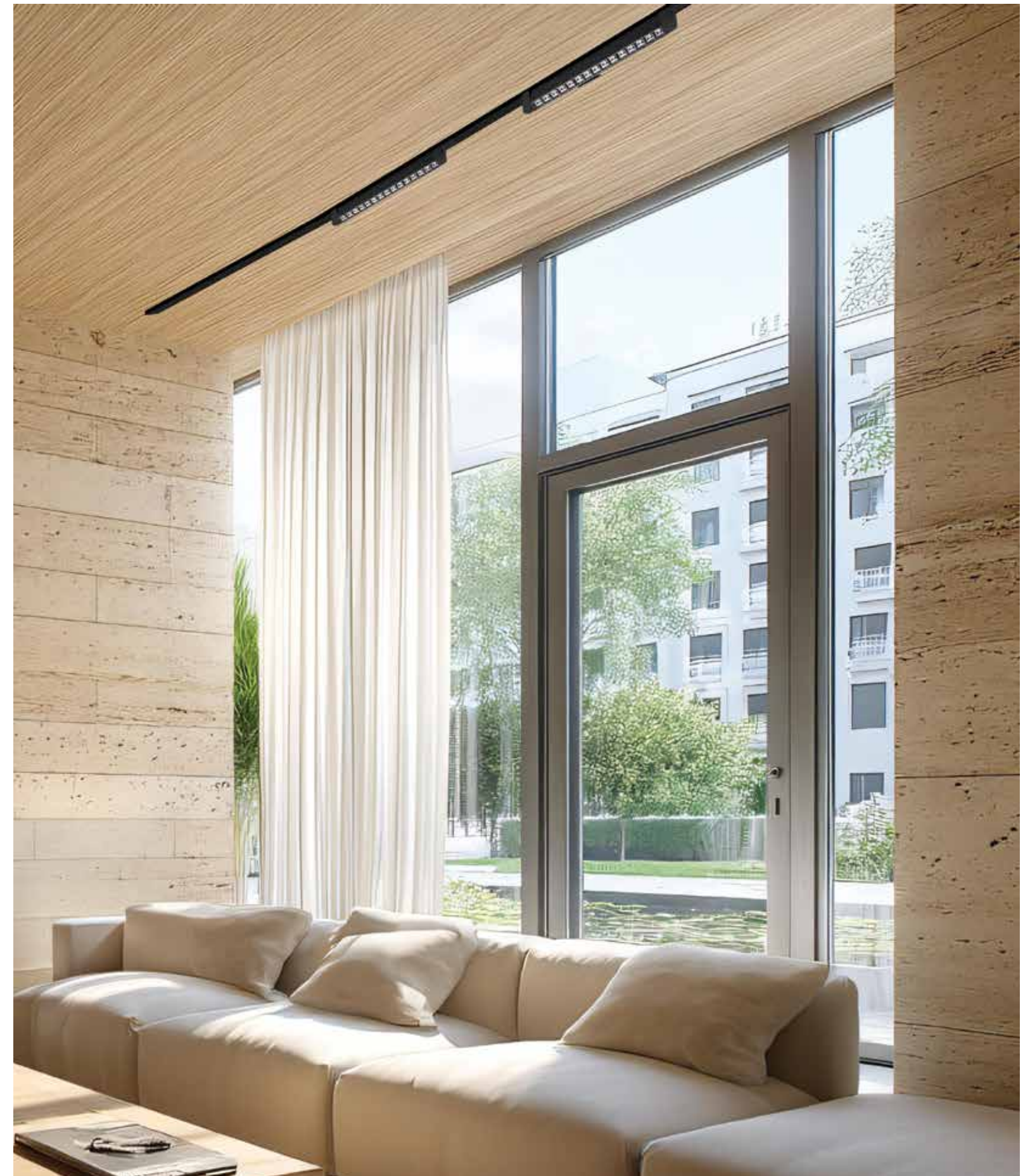
Power	40W
Input	220-240V, 50/60Hz
Color Temperature	3000K 4000K
Lumen	2934Lm 3097Lm
Cri	90
Dimensions	L: 93.5cm W: 3.3cm H: 7cm
Beam Angle	100°
Material	Aluminium - PC Diffuser
Special Feature	3 Phase Track Light Movable
Color	3000K Sandy White / Code S242
Color	4000K Sandy White / Code S241

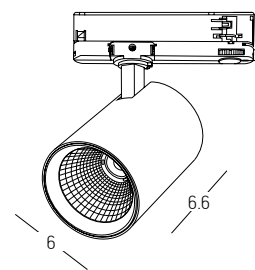


Power	40W
Input	220-240V, 50/60Hz
Color Temperature	2700K 3000K 4000K
Lumen	2735Lm 2884Lm 3012Lm
Cri	90
Dimensions	L: 93.5cm W: 3.3cm H: 7cm
Beam Angle	100°
Material	Aluminium - PC Diffuser
Special Feature	3 Phase Track Light Movable
Color	Sandy Black / Code S243

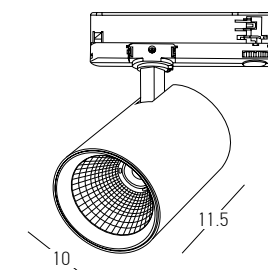


Power	15W
Input	220-240V, 50/60Hz
Color Temperature	2700K 3000K 4000K
Lumen	1114Lm 1203Lm 1278Lm
Cri	90
Dimensions	L: 53.5cm W: 3.3cm H: 7cm
Beam Angle	36°
Material	Aluminium - PC Diffuser
Special Feature	3 Phase Track Light Movable
Color	Sandy Black / Code S244

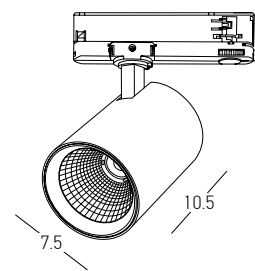
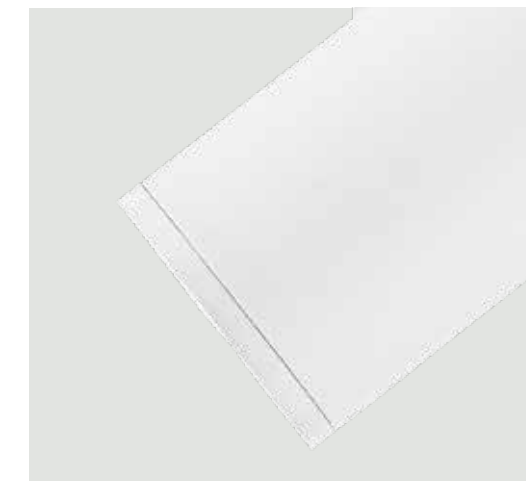




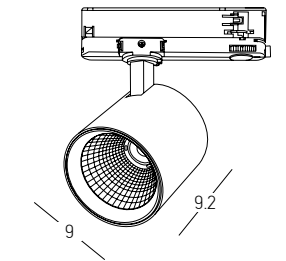
Power 10W
 Input 220-240V, 50/60Hz
 Color Temperature 2700K | 3000K | 4000K
 Lumen 910Lm | 937Lm | 956Lm
 Cri 90
 Dimensions Ø: 6cm H: 6.6cm
 Beam Angle 36°
 Material Aluminium
 Special Feature 3 Phase Track Light
 Color Sandy Black / **Code S236**
 Color Sandy White / **Code S237**



Power 40W
 Input 220-240V, 50/60Hz
 Color Temperature 2700K | 3000K | 4000K
 Lumen 4013Lm | 4129Lm | 4219Lm
 Cri 90
 Dimensions Ø: 10cm H: 11.5cm
 Beam Angle 36°
 Material Aluminium
 Special Feature 3 Phase Track Light
 Color Sandy White / **Code S234**
 Color Sandy Black / **Code S235**



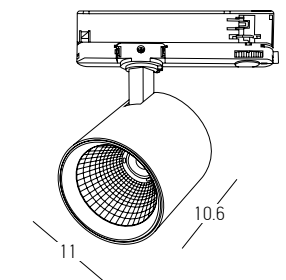
Power 20W
 Input 220-240V, 50/60Hz
 Color Temperature 2700K | 3000K | 4000K
 Lumen 2037Lm | 2112Lm | 2178Lm
 Cri 90
 Dimensions Ø: 7.5cm H: 10.5cm
 Beam Angle 36°
 Material Aluminium
 Special Feature 3 Phase Track Light
 Color Sandy White / **Code S232**
 Color Sandy Black / **Code S233**



Power 25W
 Input 220-240V, 50/60Hz
 Color Temperature 3000K | 4000K
 Lumen 2460Lm | 2510Lm
 Cri 90
 Dimensions Ø: 9cm H: 9.2cm
 Beam Angle 36°
 Material Aluminium
 Special Feature 3 Phase Track Light
 Color 3000K Sandy White / **Code S198**
 Color 3000K Sandy Black / **Code S200**
 Color 4000K Sandy White / **Code S197**
 Color 4000K Sandy Black / **Code S199**

Lens for 25W Spots

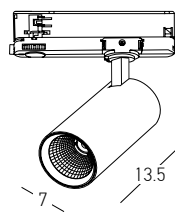
Dimensions Ø: 9cm
 Beam Angle 24°
Code LNS197



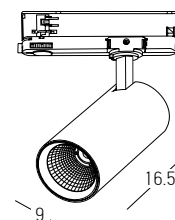
Power 42W
 Input 220-240V, 50/60Hz
 Color Temperature 3000K | 4000K
 Lumen 4130Lm | 4210Lm
 Cri 90
 Dimensions Ø: 11cm H: 10.6cm
 Beam Angle 36°
 Material Aluminium
 Special Feature 3 Phase Track Light
 Color 3000K Sandy White / **Code S202**
 Color 4000K Sandy White / **Code S201**
 Color 4000K Sandy Black / **Code S203**

Lens for 42W Spots

Dimensions Ø: 11cm
 Beam Angle 24°
Code LNS202



Power 20W
 Input 220-240V, 50/60Hz
 Color Temperature 3000K | 4000K
 Lumen 2115Lm
 Cri 90
 Dimensions Ø: 7cm H: 13.5cm
 Beam Angle 15° / 24° / 38°
 Material Aluminium
 Special Feature 3 Phase Track Light
Code S065-



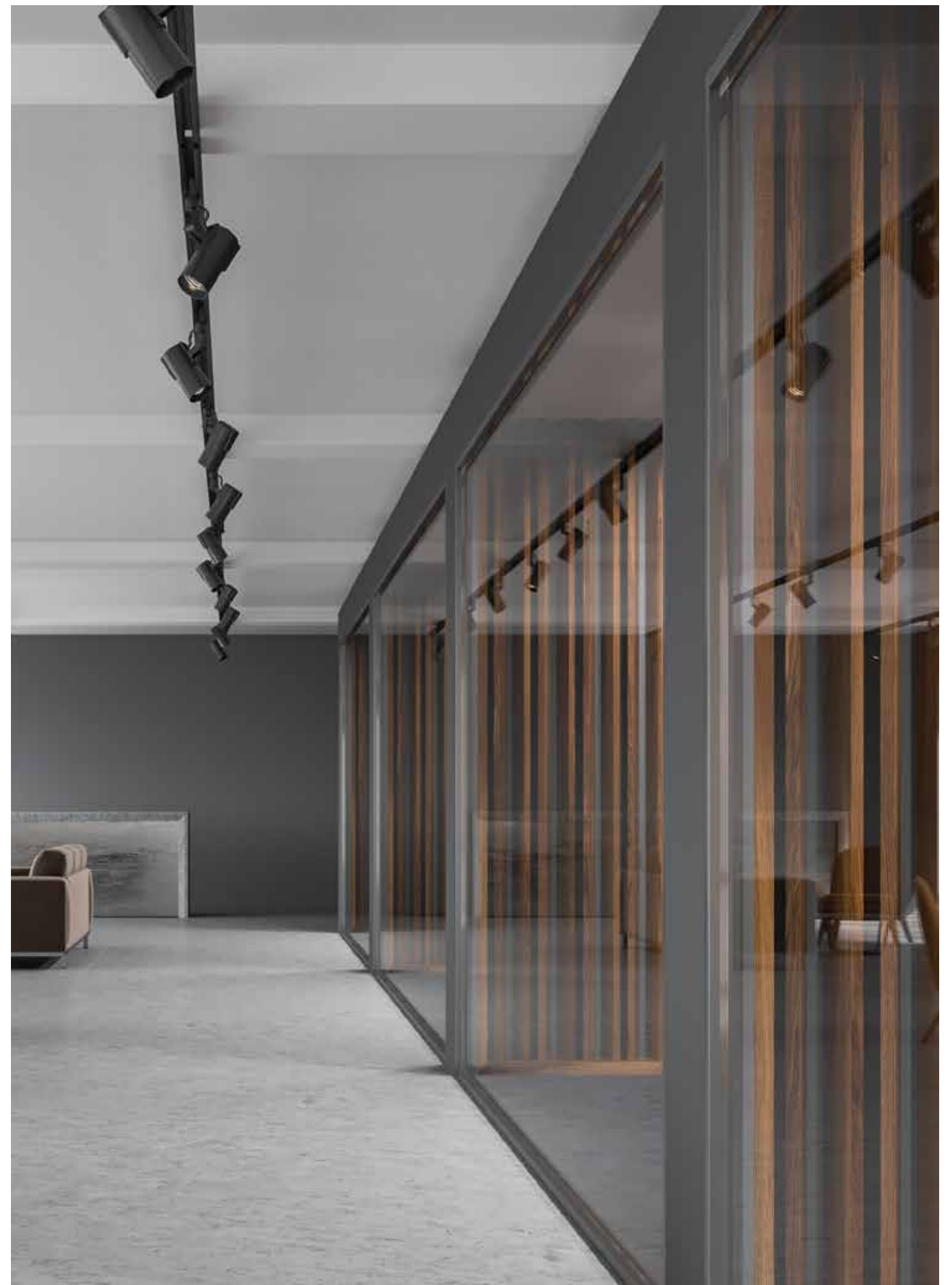
Power 38W
 Input 220-240V, 50/60Hz
 Color Temperature 3000K | 4000K
 Lumen 3900Lm
 Cri 90
 Dimensions Ø: 9cm H: 16.5cm
 Beam Angle 15° / 24° / 38°
 Material Aluminium
 Special Feature 3 Phase Track Light
Code S066-

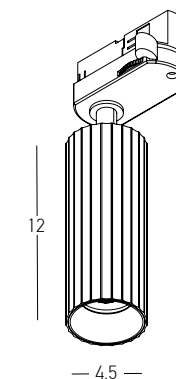
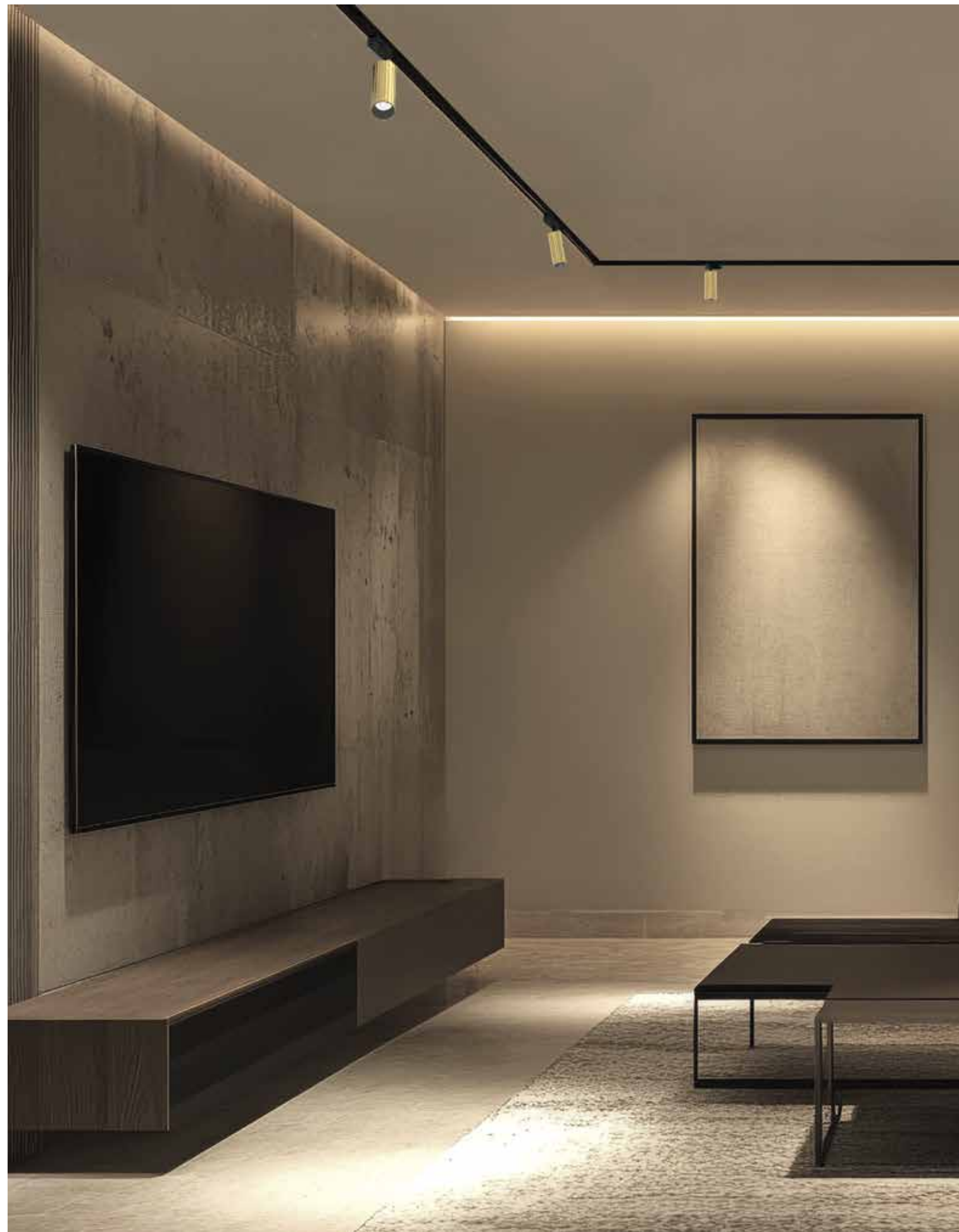
Select technical features to configure your code.

Kelvin	Body Color	Beam Angle
3 = 3000K	W = SANDY WHITE	15 = 15°
4 = 4000K	B = SANDY BLACK	24 = 24°
		36 = 36°

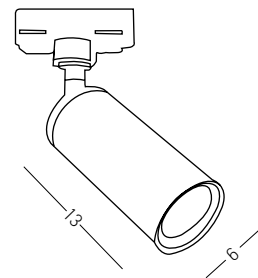
Your Code : **S065-**
 Kelvin Body Color Beam Angle

Your Code : **S066-**
 Kelvin Body Color Beam Angle

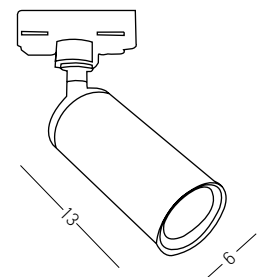




Power	7W
Input	220-240V, 50/60Hz
Color Temperature	3000K
Lumen	580Lm
Cri	90
Dimensions	Ø: 4.5cm H: 12cm
Beam Angle	36°
Material	Aluminium
Special Feature	3 Phase Track Light
Color	Brushed Brass / Code S114
Color	White Matt / Code S115
Color	Black Matt / Code S116



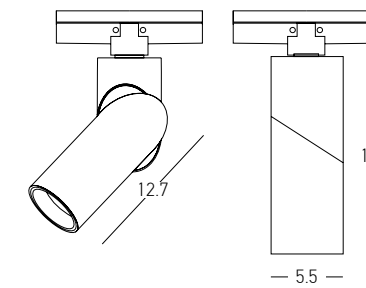
Bulb 1x GU10
 Power 35W MAX
 Input 220-240V, 50/60Hz
 Dimensions Ø: 6cm H: 13cm
 Material Aluminium
 Special Feature 3 Phase Track Light
 Color Black Matt / **Code S059**
 Color White Matt / **Code S058**



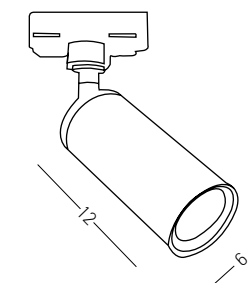
Power 9W
 Input 220-240V, 50/60Hz
 Color Temperature 3000K
 Lumen 1000Lm
 Cri 90
 Dimensions Ø: 6cm H: 13cm
 Beam Angle 15° / 24° / 40°
 Material Aluminium
 Special Feature 3 Phase Track Light
 Color Black Matt / **Code S059-15**
 Color Black Matt / **Code S059-24**
 Color Black Matt / **Code S059-40**
 Color White Matt / **Code S058-15**
 Color White Matt / **Code S058-24**
 Color White Matt / **Code S058-40**

OSRAM





Bulb 1x GU10
 Power 35W MAX
 Input 220-240V, 50/60Hz
 Dimensions Ø: 5.5cm H: 16cm
 Material Aluminium
 Special Feature 3 Phase Track Light
 Color Sandy Black / **Code S220**
 Color Sandy White / **Code S221**

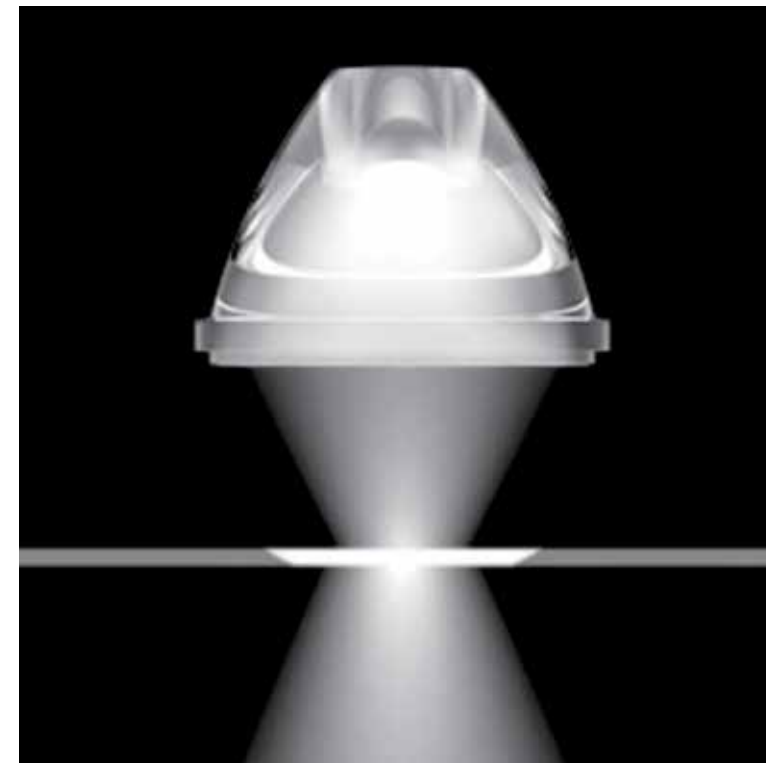


Bulb 1x GU10
 Power 35W MAX
 Input 220-240V, 50/60Hz
 Dimensions Ø: 6cm H: 12cm
 Material Aluminium
 Special Feature 3 Phase Track Light
 Color Sandy Black / **Code S038**
 Color Sandy White / **Code S037**



Ring for S037 & S038
 Material Aluminium
 Color Gold / **Code Ring G**

15. DOWNLIGHT RECESSED & TRIMLESS LED SPOTS



REFERENCE



INSTALLATION

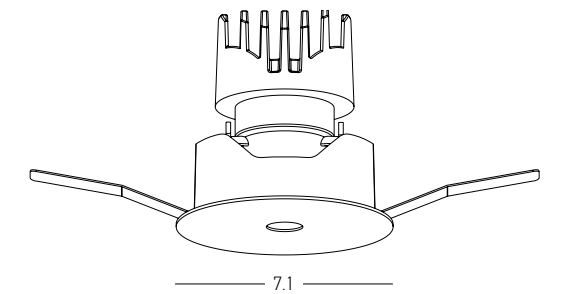
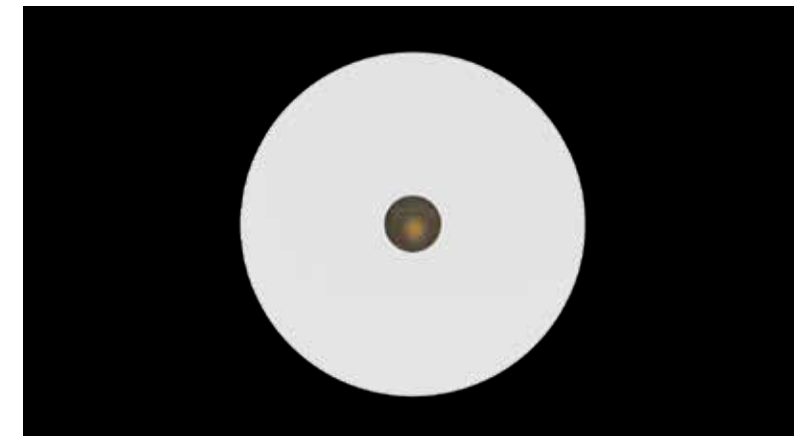
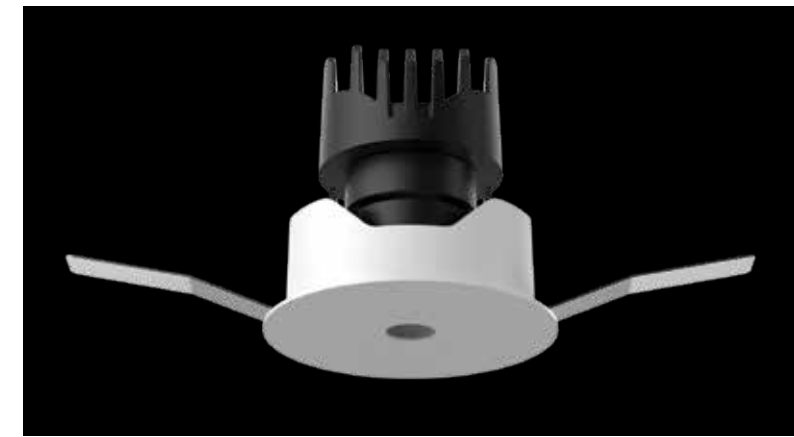
Trimless | Recessed



Dimming On-Off, Dali
CCT 2700K - 4000K
IP Rating 20-54
Non Adjustable-Adjustable

X-LIGHT

Minimal Aperture, Maximum Effect

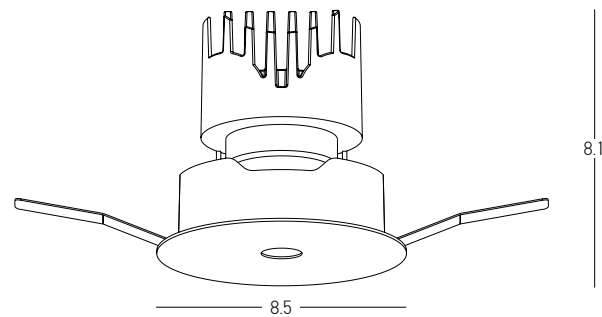


Power 7W
 Input 36V / 150mA
 Color Temperature 2700K | 3000K
 Lumen 370Lm | 413Lm
 Cri 92
 IP 20
 UGR <6
 Dimensions Ø: 7.1cm H: 7cm
 Beam Angle 36°
 Cutting Hole Ø: 6.5cm
 Material Aluminium
 Depth Required ITL: 7.5cm
 Suggested On-Off Driver FLS21 for 1 Fixture (pass from the hole)
 Suggested DALI Driver FLS12D for 1 Fixture (pass from the hole)
 Special Feature Adjustable
 Color 2700K Sandy White / Code S338
 Color 3000K Sandy White / Code S339



CODE	mA	Watt	V
FLS21	150-500	21	10-42

CODE	mA	Watt	V
FLS12D	120-350	12	9-42



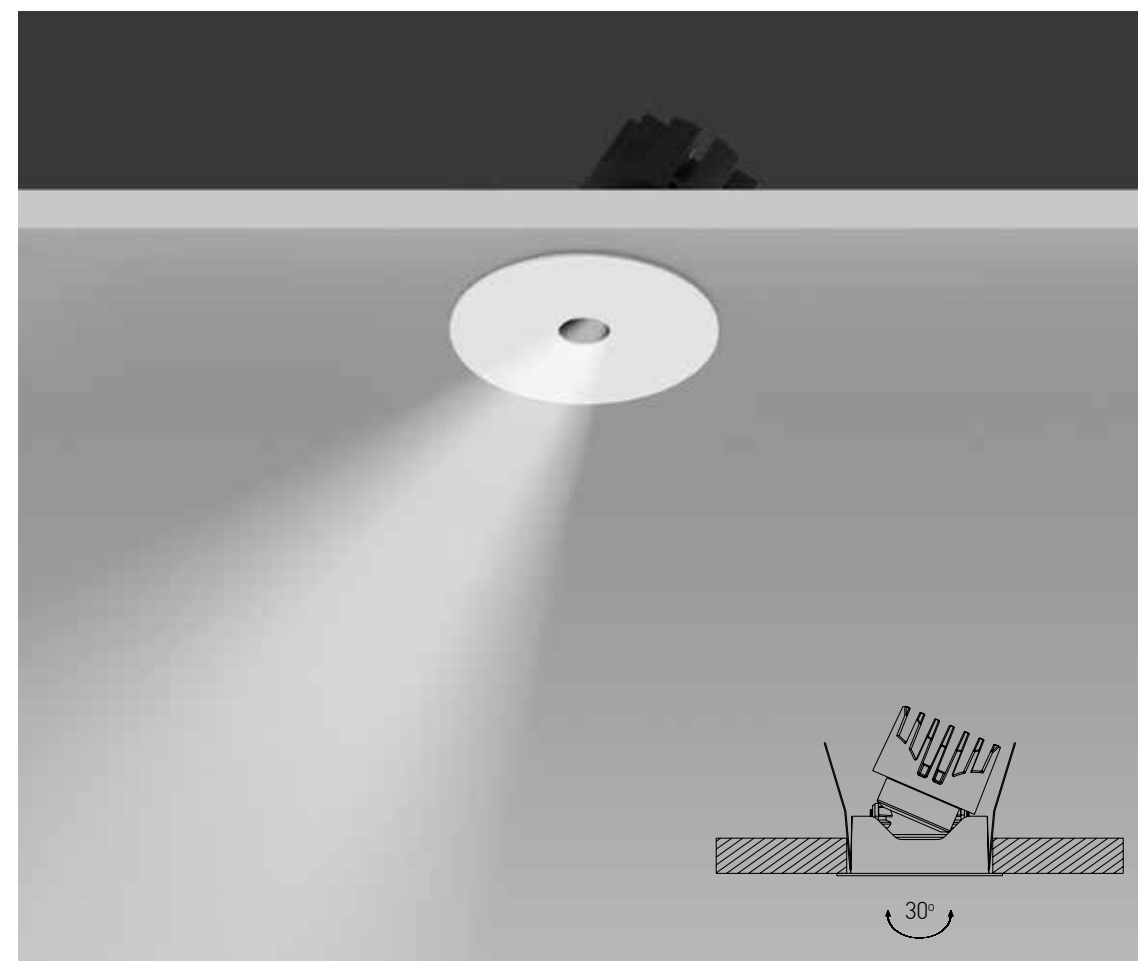
Power 14W
 Input 36V / 300mA
 Color Temperature 2700K | 3000K
 Lumen 590Lm | 681Lm
 Cri 93
 IP 20
 UGR <8
 Dimensions Ø: 8.5cm H: 8.1cm
 Beam Angle 36°
 Cutting Hole Ø: 7.5cm
 Material Aluminium
 Depth Required 8.5cm
 Suggested On-Off Driver FLS21 for 1 Fixture (pass from the hole)
 Suggested DALI Driver FLS12D for 1 Fixture (pass from the hole)
 Special Feature Adjustable
 Color 2700K Sandy White / Code S340
 Color 3000K Sandy White / Code S341



CODE	mA	Watt	V
FLS21	150-500	21	10-42

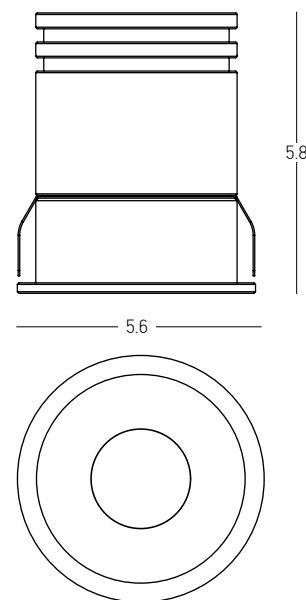


CODE	mA	Watt	V
FLS12D	120-350	12	9-42

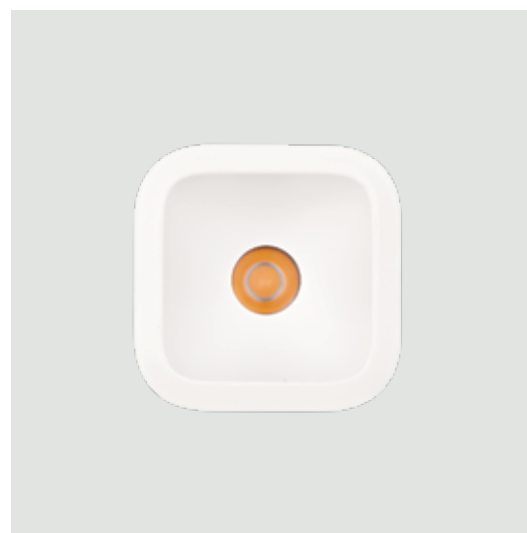
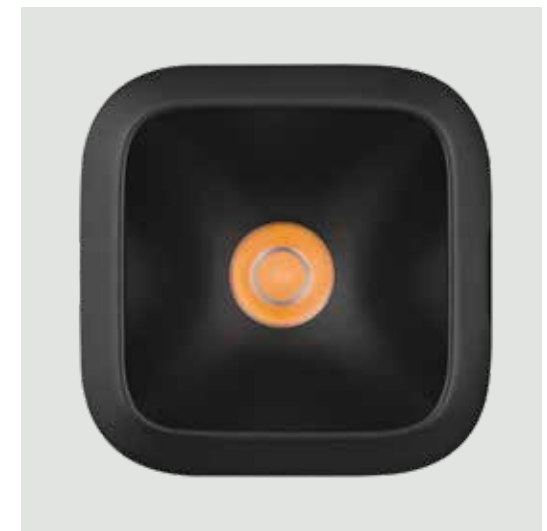
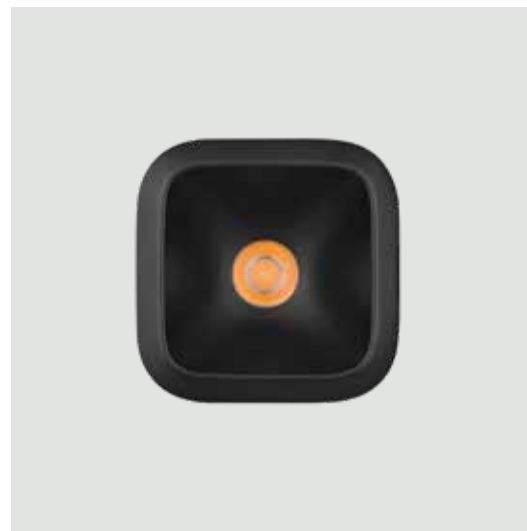




IP54

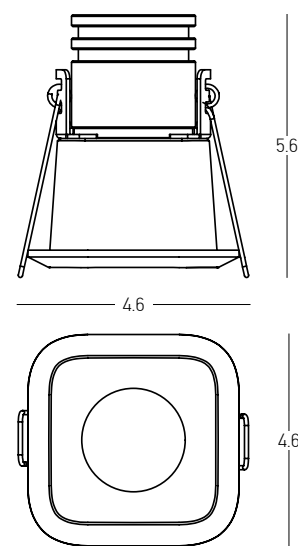


Power	9W
Input	36V / 200mA
Color Temperature	3000K
Lumen	773Lm
Cri	90
IP	54
UGR	<16
Dimensions	Ø: 5.6cm H: 5.8cm
Beam Angle	60°
Cutting Hole	Ø: 5cm
Material	Aluminium
Depth Required	JTL: 6.3cm
Suggested On-Off Driver	FLS21 for 1 Fixture (pass from the hole)
Suggested DALI Driver	FLS12D for 1 Fixture (pass from the hole)
Color	White Matt / Code S350
Color	Black Matt / Code S351

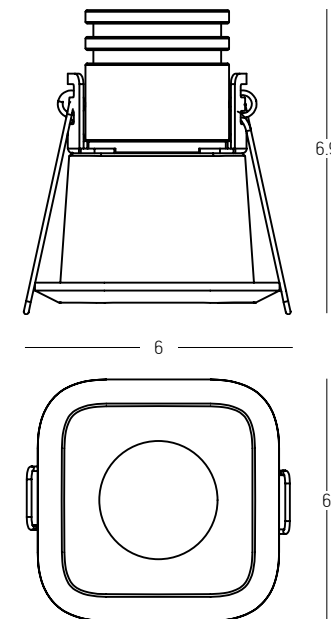


IP54

IP54



Power 5W
 Input 36V / 120mA
 Color Temperature 3000K
 Lumen 515Lm
 Cri 90
 IP 54
 UGR <16
 Dimensions L: 4.6cm W: 4.6cm H: 5.6cm
 Beam Angle 36°
 Cutting Hole L: 3.7cm W: 3.7cm
 Material Aluminium
 Depth Required JTl: 6cm
 Suggested On-Off Driver D-OT FIT8 for 1 Fixture (pass from the hole)
 Suggested DALI Driver FLS12D for 1 Fixture (remote application)
 Color Sandy White / **Code S346**
 Color Sandy Black / **Code S347**



Power 7W
 Input 36V / 150mA
 Color Temperature 3000K
 Lumen 528Lm
 Cri 90
 IP 54
 UGR <16
 Dimensions L: 6cm W: 6cm H: 6.9cm
 Beam Angle 36°
 Cutting Hole L: 4.8cm W: 4.8cm
 Material Aluminium
 Depth Required JTl: 7.4cm
 Suggested On-Off Driver FLS21 for 1 Fixture (pass from the hole)
 Suggested DALI Driver FLS12D for 1 Fixture (pass from the hole)
 Color Sandy White / **Code S348**
 Color Sandy Black / **Code S349**



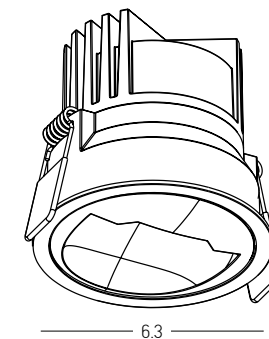
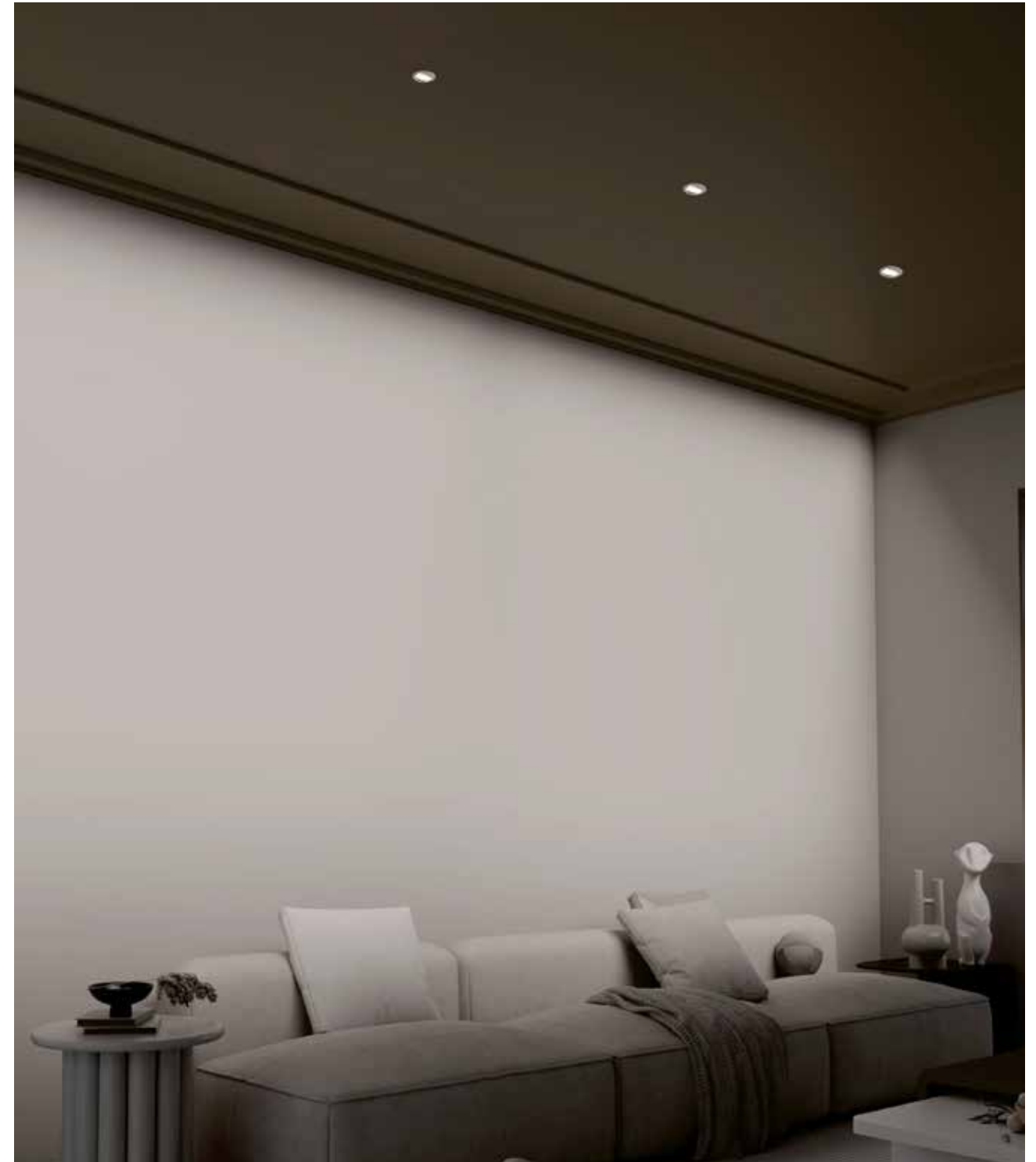
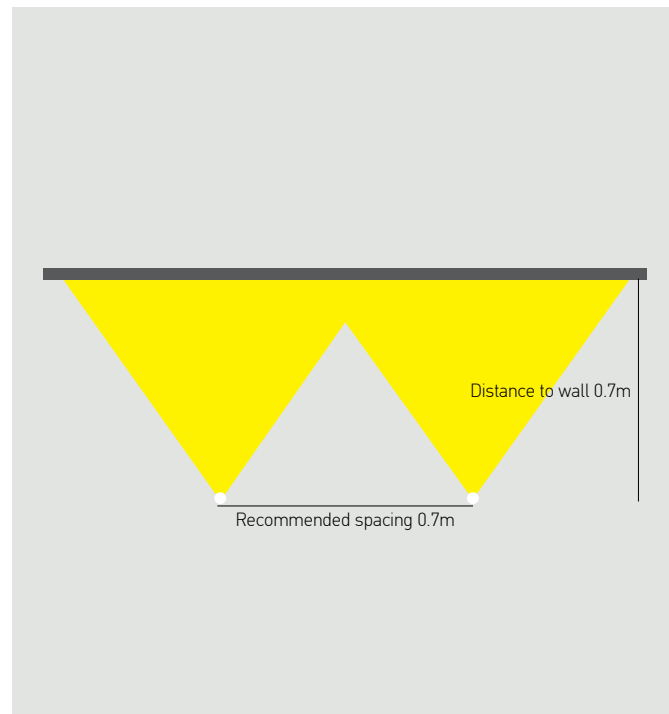
CODE	mA	Watt	V
D-OT FIT8	80-180	8	30-42



CODE	mA	Watt	V
FLS12D	120-350	12	9-42



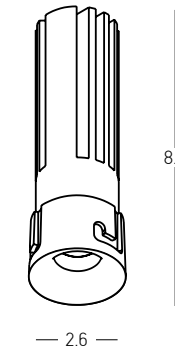
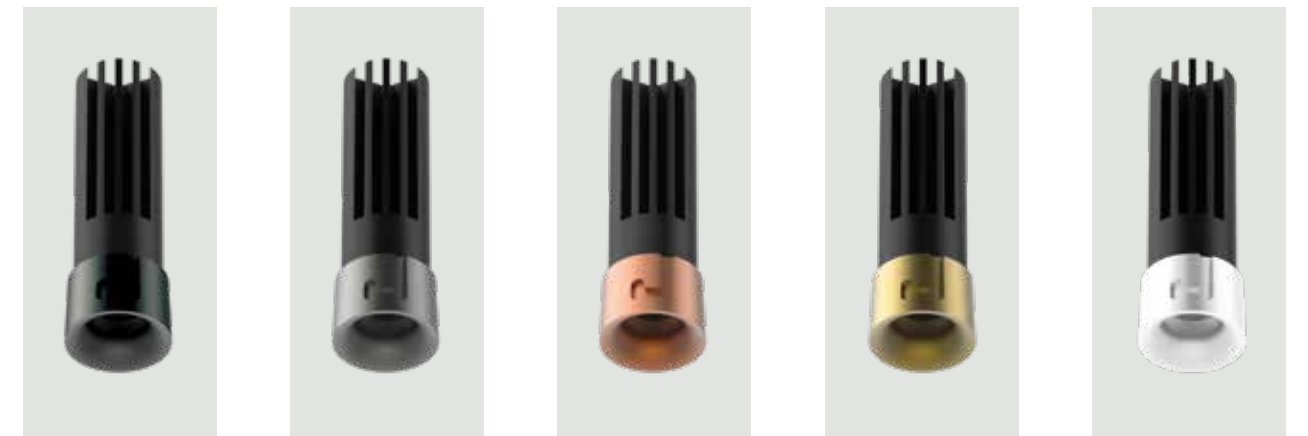
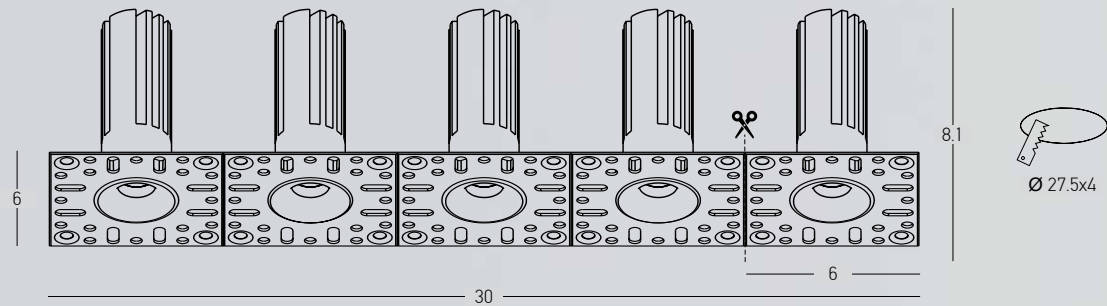
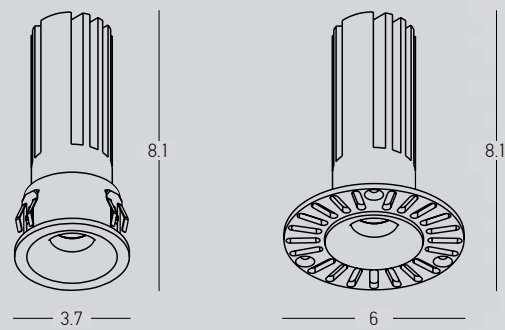
CODE	mA	Watt	V
FLS21	150-500	21	10-42



Power	10W
Input	36V / 250mA
Color Temperature	3000K
Lumen	655Lm
Cri	90
IP	20
UGR	<12
Dimensions	Ø: 6.3cm H: 6cm
Beam Angle	10x60°
Cutting Hole	Ø: 5.7cm
Material	Aluminium
Depth Required	∏ : 6.5cm
Suggested On-Off Driver	FLS21 for 1 Fixture (pass from the hole)
Suggested DALI Driver	FLS12D for 1 Fixture (pass from the hole)
Color	Sandy White / Code S337

Modularization Recessed - Trimless Downlight Spot 7W

Select your application and colors to create the ultimate style by combining the different models available...



Power	7W
Input	12V / 500mA
Color Temperature	3000K
Lumen	363Lm
Cri	90
IP	20
UGR	<16
Dimensions	Ø: 2.6cm H: 8.1cm
Beam Angle	36°
Material	Aluminium
Depth Required	∩: 8.5cm
Suggested On-Off Driver	25287 for 1 Fixture (pass from the hole)
Suggested DALI Driver	FLS42D for 1-4 Fixtures (remote application)
Color	Sandy Black / Code 25285
Color	Sandy White / Code 25286
Color	Silver Matt / Code 25288
Color	Copper Matt / Code 25289
Color	Brass Matt / Code 25290



CODE	mA	Watt	V
25287	500	7	5-12



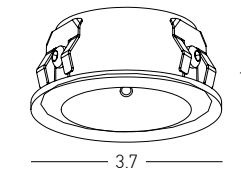
CODE	mA	Watt	V
FLS42D	150-1050	42	2.5-52

Modularization Recessed - Trimless Downlight Spot 7W

Select your application and colors to create the ultimate style by combining the different models available...

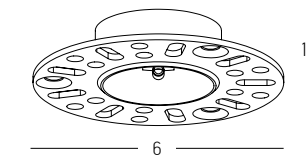


RECESSED COVER FOR LED SPOT 7W



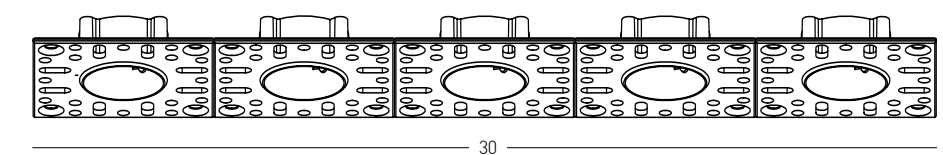
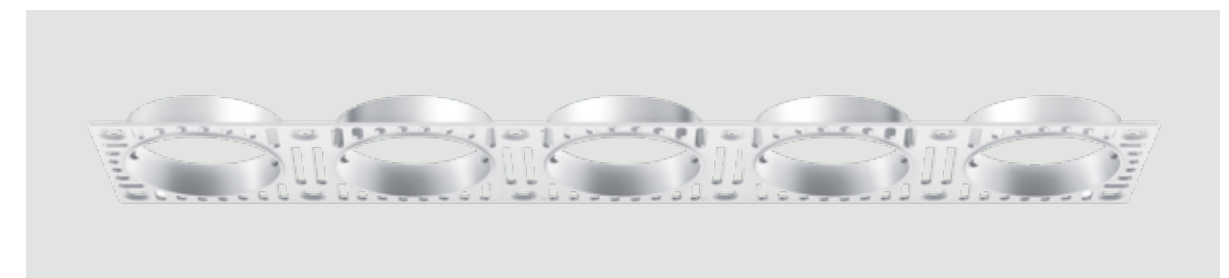
Code	Color	Dimensions	Cutting Hole - Depth
25291	Sandy Black	Ø: 3.7cm H: 1.7cm	Ø: 3.4cm - 8.1cm
25292	Sandy White	Ø: 3.7cm H: 1.7cm	Ø: 3.4cm - 8.1cm

TRIMLESS COVER FOR LED SPOT 7W



Code	Color	Dimensions	Cutting Hole - Depth
25293	Sandy White	Ø: 6cm H: 1.4cm	Ø: 3.1cm - 8.1cm

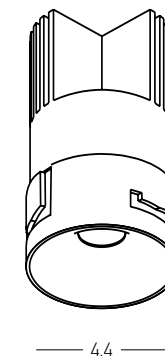
EASY-CUT TRIMLESS PLASTIC COVER FOR 1-5 LED SPOTS 7W



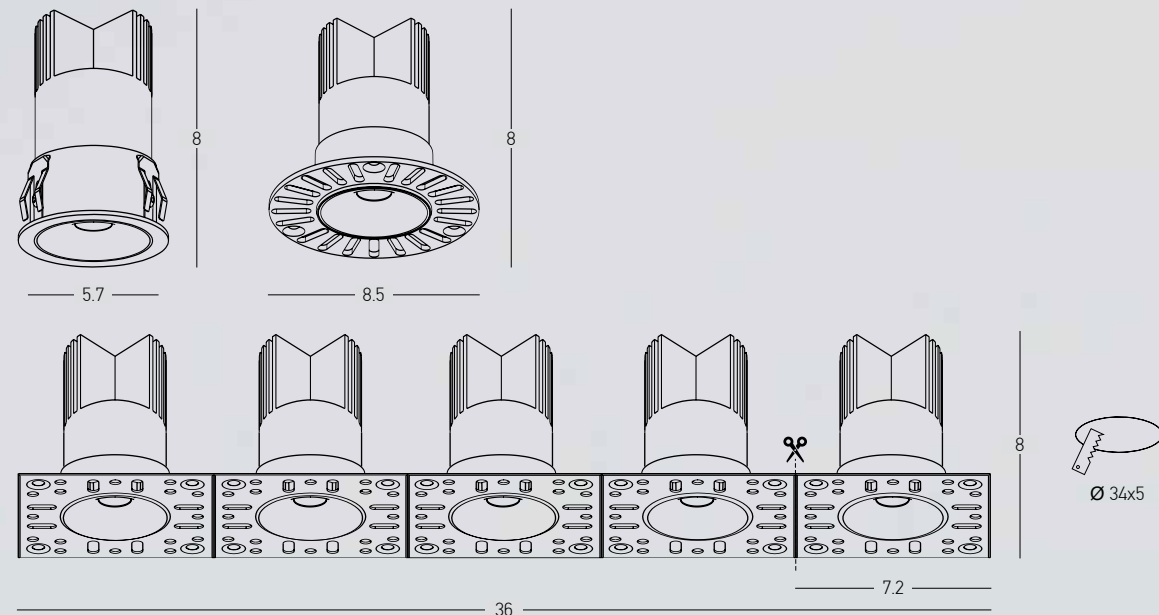
Code	Color	Dimensions	Cutting Hole - Depth
25294	White	L: 30cm W: 6cm H: 1.4cm	27.5x4cm - 8.1cm

Modularization Recessed - Trimless Downlight Spot 12W

Select your application and colors to create the ultimate style by combining the different models available...



Power	12W
Input	36V / 300mA
Color Temperature	3000K
Lumen	683Lm
Cri	90
IP	20
UGR	<16
Dimensions	Ø: 4.4cm H: 8cm
Beam Angle	36°
Material	Aluminium
Depth Required	ITL : 8.4cm
Suggested On-Off Driver	FLS21 for 1 Fixture (remote application)
Suggested DALI Driver	FLS12D for 1 Fixture (remote application)
Color	Sandy Black / Code 25399
Color	Sandy White / Code 25400
Color	Silver Matt / Code 25401
Color	Brass Matt / Code 25402
Color	Copper Matt / Code 25403



CODE	mA	Watt	V
FLS21	150-500	21	10-42



CODE	mA	Watt	V
FLS12D	120-350	12	9-42

Modularization Recessed - Trimless Downlight Spot 12W

Select your application and colors to create the ultimate style by combining the different models available...

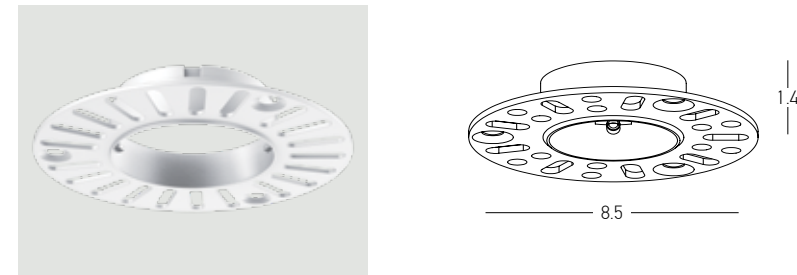


RECESSED COVER FOR LED SPOT 12W



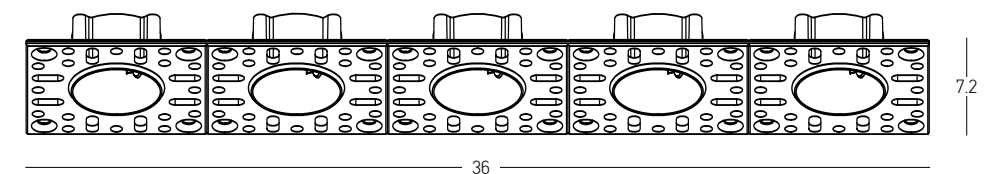
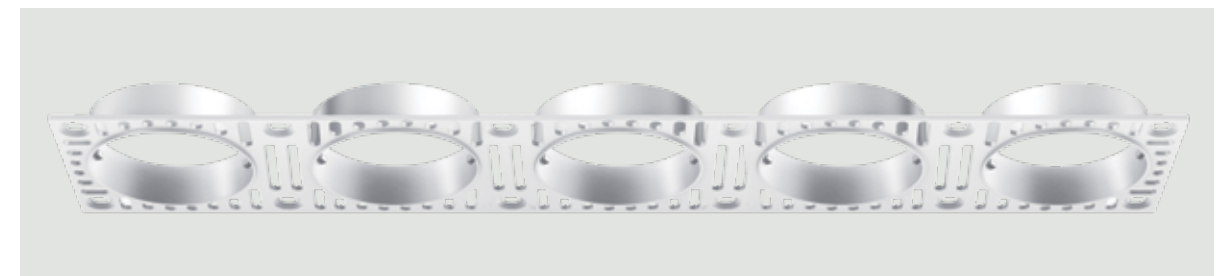
Code	Color	Dimensions	Cutting Hole - Depth
25404	Sandy Black	Ø: 5.7cm H: 2.1 cm	Ø: 5.3cm - 8cm
25405	Sandy White	Ø: 5.7cm H: 2.1 cm	Ø: 5.3cm - 8cm

TRIMLESS COVER FOR LED SPOT 12W



Code	Color	Dimensions	Cutting Hole - Depth
25406	Sandy White	Ø: 8.5cm H: 1.4cm	Ø: 6cm - 8cm

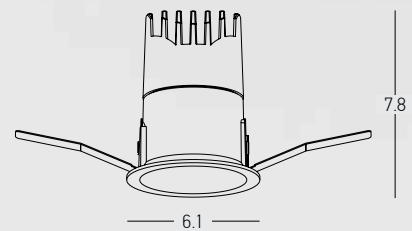
EASY-CUT TRIMLESS PLASTIC COVER FOR 1-5 LED SPOTS 12W



Code	Color	Dimensions	Cutting Hole - Depth
25407	White	L: 36cm W: 7.2cm H: 1.4cm	34x5cm - 8cm

IP 44 Downlight Spot

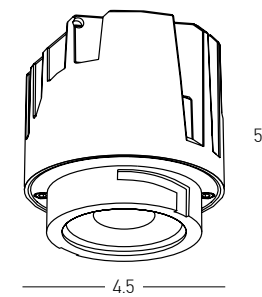
Fixed | Adjustable | Recessed | Trimless



IP44 LED MODULE 11W

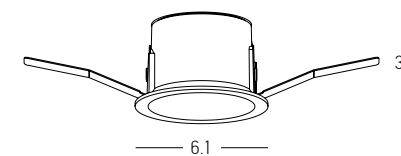
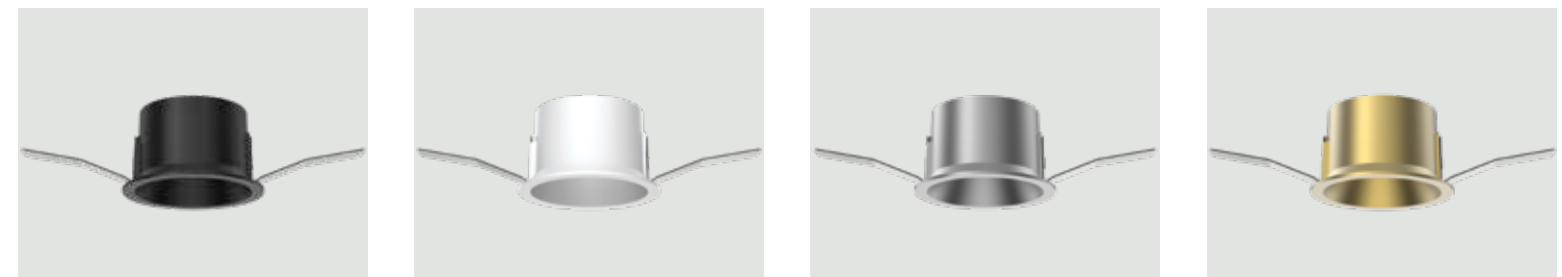


Power	11W	IP44
Input	36V / 250mA	
Color Temperature	2700K 3000K	
Lumen	695Lm 730Lm	
Cri	93	
IP	44	
UGR	<14	
Dimensions	Ø: 4.5cm H: 5.2cm	
Beam Angle	36°	
Material	Aluminium	
Suggested On-Off Driver	FLS21 for 1 Fixture (pass from the hole)	
Suggested DALI Driver	FLS12D for 1 Fixture (pass from the hole)	
Color	2700K Sandy Black / Code S342	
Color	3000K Sandy Black / Code S343	



Lens for LED Module 11W
Beam Angle 15° / **Code OPTC-S342-15D**
Beam Angle 24° / **Code OPTC-S342-24D**

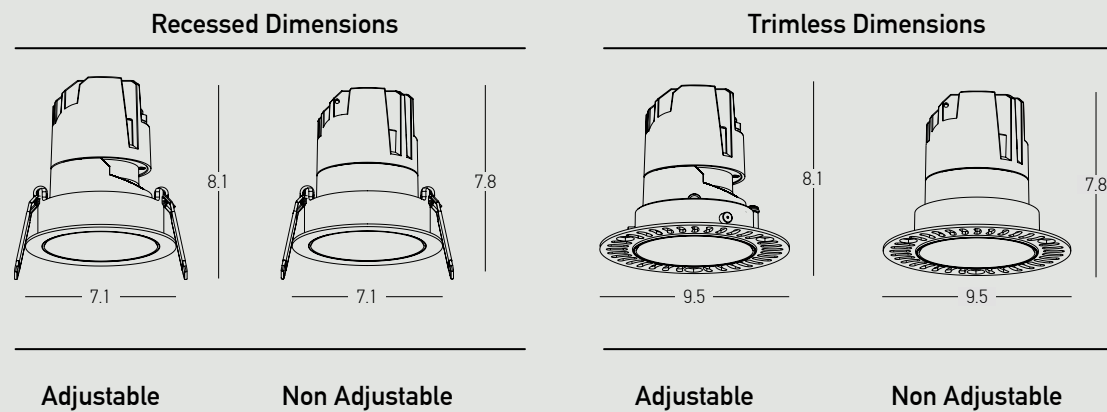
RECESSED RING FOR LED MODULE 11W



Code	Color	Dimensions	Cutting Hole - Depth
RFLBS342	Sandy Black	Ø: 6.1cm H: 3.5cm	Ø: 5.5cm - 7.8cm
RFLWS342	Sandy White	Ø: 6.1cm H: 3.5cm	Ø: 5.5cm - 7.8cm
RFLNS342	Silver Matt	Ø: 6.1cm H: 3.5cm	Ø: 5.5cm - 7.8cm
RFLGS342	Brass Matt	Ø: 6.1cm H: 3.5cm	Ø: 5.5cm - 7.8cm

Modularization Recessed - Trimless IP 44 Downlight Spot 11W

Select your application and colors to create the ultimate style by combining the different models available...



LED Module



Adjustable - Non Adjustable Ring



Recessed - Trimless Accessory



NON ADJUSTABLE RING FOR LED MODULE 11W



Code	Color	Dimensions
DFB342	Sandy Black	Ø: 5.1cm H: 3.5cm
DFW342	Sandy White	Ø: 5.1cm H: 3.5cm
DFN342	Silver Matt	Ø: 5.1cm H: 3.5cm
DFBR342	Copper Matt	Ø: 5.1cm H: 3.5cm
DFG342	Brass Matt	Ø: 5.1cm H: 3.5cm

ADJUSTABLE RING FOR LED MODULE 11W



Code	Color	Dimensions
DAB342	Sandy Black	Ø: 5.1cm H: 3.8cm
DAW342	Sandy White	Ø: 5.1cm H: 3.8cm

RECESSED COVER FOR LED MODULE 11W



Code	Color	Dimensions	Cutting Hole	Adjustable Depth	Non Adjustable Depth
RRB342	Sandy Black	Ø: 7.1cm H: 3cm	Ø: 6.5cm	8.1cm	7.8cm
RRW342	Sandy White	Ø: 7.1cm H: 3cm	Ø: 6.5cm	8.1cm	7.8cm

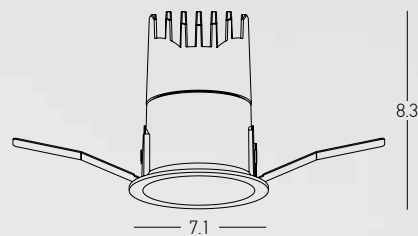
TRIMLESS COVER FOR LED MODULE 11W



Code	Color	Dimensions	Cutting Hole	Adjustable Depth	Non Adjustable Depth
TRML342	Sandy White	Ø: 9.5cm H: 2cm	Ø: 6.2cm	8.1cm	7.8cm

IP 44 Downlight Spot

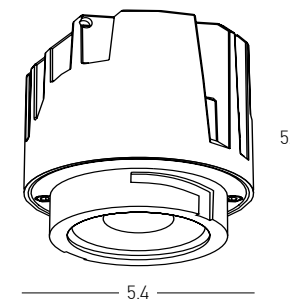
Fixed | Adjustable | Recessed | Trimless



IP44 LED MODULE 15W

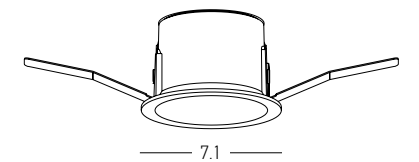
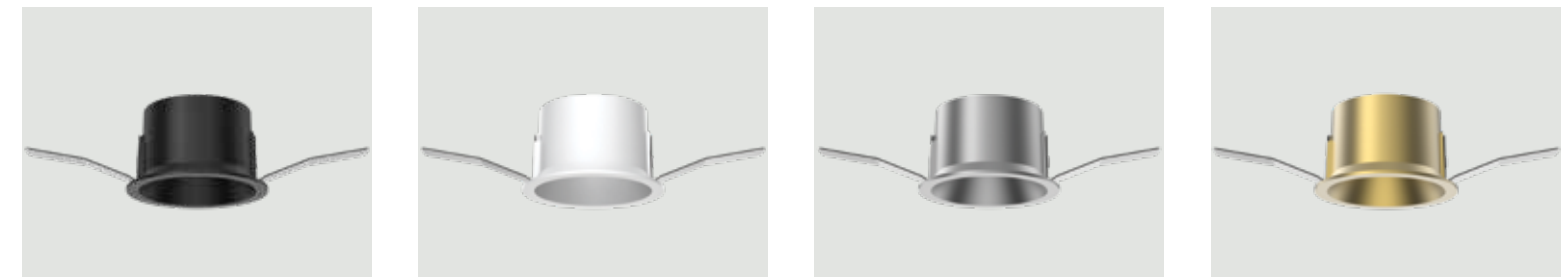


Power	15W	IP44
Input	36V / 350mA	
Color Temperature	2700K 3000K	
Lumen	1010Lm 1043Lm	
Cri	92	
IP	44	
UGR	<15	
Dimensions	Ø: 5.4cm H: 5.3cm	
Beam Angle	36°	
Material	Aluminium	
Suggested On-Off Driver	FLS21 for 1 Fixture (pass from the hole)	
Suggested DALI Driver	FLS42D for 1 Fixture (pass from the hole)	
Color	2700K Sandy Black / Code S344	
Color	3000K Sandy Black / Code S345	



Lens for LED Module 15W
Beam Angle 15° / **Code OPTC-S344-15D**
Beam Angle 24° / **Code OPTC-S344-24D**

RECESSED RING FOR LED MODULE 15W



Code	Color	Dimensions	Cutting Hole - Depth
RFLBS344	Sandy Black	Ø: 7.1cm H: 4.4cm	Ø: 6.5cm - 8.3cm
RFLWS344	Sandy White	Ø: 7.1cm H: 4.4cm	Ø: 6.5cm - 8.3cm
RFLNS344	Silver Matt	Ø: 7.1cm H: 4.4cm	Ø: 6.5cm - 8.3cm
RFLGS344	Brass Matt	Ø: 7.1cm H: 4.4cm	Ø: 6.5cm - 8.3cm



CODE	mA	Watt	V
FLS21	150-500	21	10-42



CODE	mA	Watt	V
FLS42D	150-1050	42	2.5-52

Modularization Recessed - Trimless IP 44 Downlight Spot 15W

Select your application and colors to create the ultimate style by combining the different models available...



Copper Matt

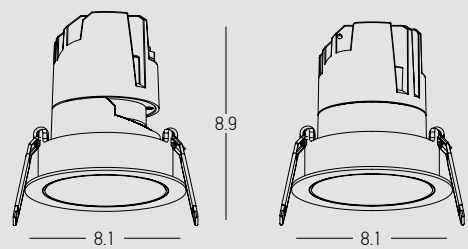
Brass Matt

Silver Matt

Sandy Black

Sandy White

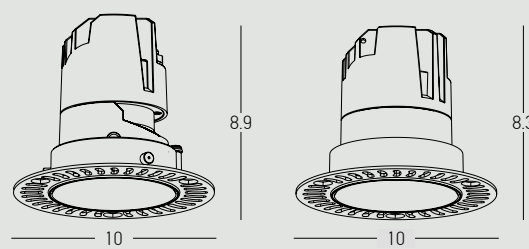
Recessed Dimensions



Adjustable

Non Adjustable

Trimless Dimensions



Adjustable

Non Adjustable



NON ADJUSTABLE RING FOR LED MODULE 15W



Code	Color	Dimensions
DFB344	Sandy Black	Ø: 5.9cm H: 4cm
DFW344	Sandy White	Ø: 5.9cm H: 4cm
DFG344	Brass Matt	Ø: 5.9cm H: 4cm

ADJUSTABLE RING FOR LED MODULE 15W



Code	Color	Dimensions
DAB344	Sandy Black	Ø: 5.9cm H: 4.5cm
DAW344	Sandy White	Ø: 5.9cm H: 4.5cm

RECESSED COVER FOR LED MODULE 15W



Code	Color	Dimensions	Cutting Hole	Adjustable Depth	Non Adjustable Depth
RRB344	Sandy Black	Ø: 8.1cm H: 3.5cm	Ø: 7.5cm	8.9cm	8.3cm
RRW344	Sandy White	Ø: 8.1cm H: 3.5cm	Ø: 7.5cm	8.9cm	8.3cm

TRIMLESS COVER FOR LED MODULE 15W



Code	Color	Dimensions	Cutting Hole	Adjustable Depth	Non Adjustable Depth
TRML344	Sandy White	Ø: 10cm H: 2.4cm	Ø: 7.2cm	8.9cm	8.3cm

Modularization Recessed - Trimless Downlight Spot 5W

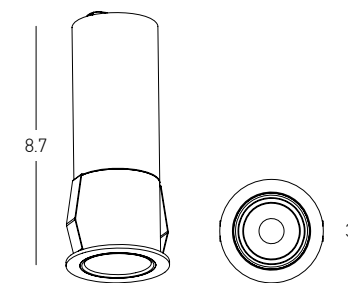
Select your application and colors to create the ultimate style by combining the different models available...

MINI DOWNLIGHT LED SPOTS

MINI LED SPOT 5W



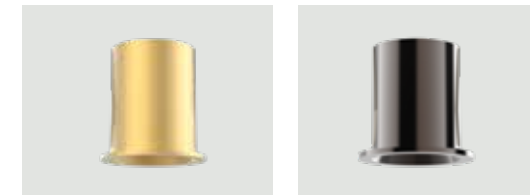
Power	5W
Input	3V / 1150mA
Color Temperature	3000K
Lumen	380Lm
Cri	90
IP	20
UGR	<16
Dimensions	Ø: 3.4cm H: 8.7cm
Cutting Hole	Ø: 3cm
Beam Angle	24°
Material	Aluminium
Depth Required	∏: 9.5cm
Suggested On-Off Driver	D-EG-5 for 1 Fixture (pass from the hole)
Suggested DALI Driver	FLS42D for 1-13 Fixtures (remote application)
Special Feature	Series Connection
Color	White Matt / Code S204
Color	Black Matt / Code S205



TRIMLESS ACCESSORY
FOR S204 & S205
Code TRMLS205

Notice : For trimless installation it is also required to order trimless ring.

RECESSED RING FOR MINI LED SPOT 5W



Code	Color	Dimensions	Cutting Hole
RFLG204	Gold Matt Ring	Ø: 3.4cm H: 3.4cm	Ø: 3cm
RFLNB204	Nickel Black Ring	Ø: 3.4cm H: 3.4cm	Ø: 3cm

TRIMLESS RING FOR MINI LED SPOT 5W



Code	Color	Dimensions	Cutting Hole
S206	White Matt Ring	Ø: 3.2cm H: 3.6cm	Ø: 3.5cm
S207	Nickel Black Ring	Ø: 3.2cm H: 3.6cm	Ø: 3.5cm
S208	Gold Matt Ring	Ø: 3.2cm H: 3.6cm	Ø: 3.5cm



CODE	mA	Watt	V
FLS42D	150-1050	42	2.5-52



CODE	mA	Watt	V
D-EG-5	1150	5	2.5-32

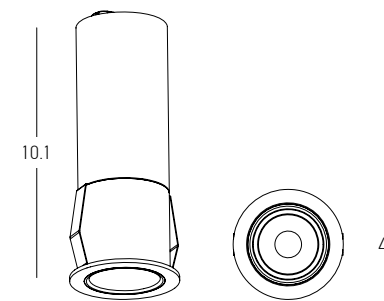
MINIMAL LUXURY IN YOUR HANDS



MINI LED SPOT 9W



Power 9W
 Input 36V / 200mA
 Color Temperature 3000K
 Lumen 630Lm
 Cri 90
 IP 20
 UGR <16
 Dimensions Ø: 4.4cm H: 10.1cm
 Cutting Hole Ø: 4cm
 Beam Angle 24°
 Material Aluminium
 Depth Required \sum : 10.3cm
 Suggested On-Off Driver D-KE-9 for 1 Fixture (remote application)
 Suggested DALI Driver D-EG-9 for 1 Fixture (remote application)
 Color White Matt / **Code S209**
 Color Black Matt / **Code S210**



TRIMLESS ACCESORY
 FOR S209 & S210
Code TRMLS209

Notice : For trimless installation it is also required to order trimless ring.

RECESSED RING FOR MINI LED SPOT 9W



Code	Color	Dimensions	Cutting Hole
RFLG209	Gold Matt Ring	Ø: 4.4cm H: 4.4cm	Ø: 4cm
RFLNB209	Nickel Black Ring	Ø: 4.4cm H: 4.4cm	Ø: 4cm

TRIMLESS RING FOR MINI LED SPOT 9W



Code	Color	Dimensions	Cutting Hole
S211	White Matt Ring	Ø: 4.2cm H: 4.8cm	Ø: 5cm
S212	Nickel Black Ring	Ø: 4.2cm H: 4.8cm	Ø: 5cm
S213	Gold Matt Ring	Ø: 4.2cm H: 4.8cm	Ø: 5cm



CODE	mA	Watt	V
D-KE-9	200	9	30-42



CODE	mA	Watt	V
D-EG-9	200	9	30-40



Easy Installation , Easy Dismount

Recessed Spot Installation



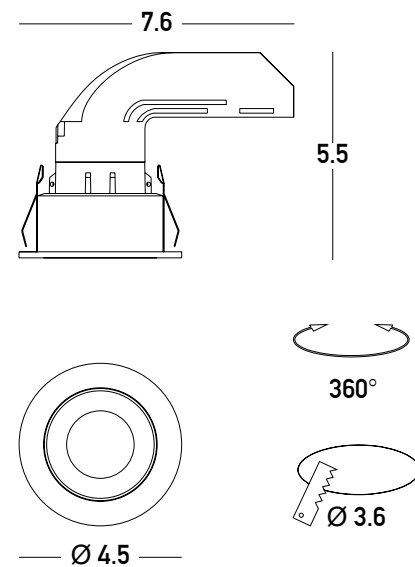
Trimless Spot Installation



Two Steps Dismount

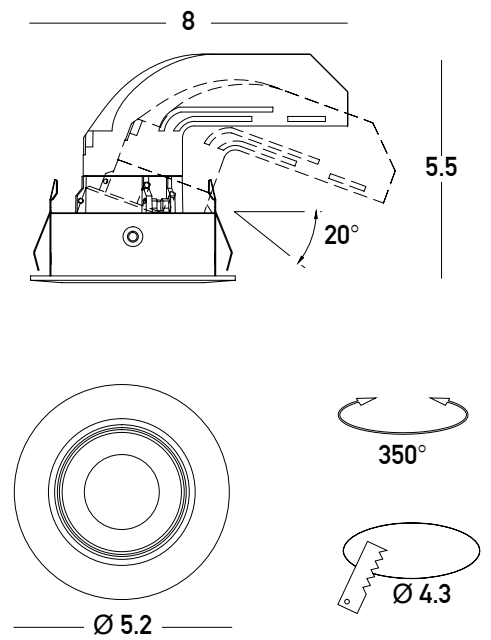


Power 6.5W
 Input 36V / 150mA
 Color Temperature 2700K
 Lumen 331Lm
 Cri 93
 IP 20
 UGR <12
 Dimensions \varnothing :4.5cm L: 7.6cm H: 5.5cm
 Beam Angle 30°
 Cutting Hole \varnothing : 3.6cm
 Depth Required \perp : 6cm
 Material Aluminium
 Suggested On-Off Driver LS-6-150 for 1 Fixture (pass from the hole)
 Suggested DALI Driver FLS12D for 1 Fixture (remote application)
 Color White Matt / **Code S135**

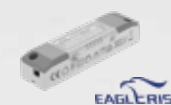


Power 6.5W
 Input 36V / 150mA
 Color Temperature 3000K
 Lumen 361Lm
 Cri 93
 IP 20
 UGR <12
 Dimensions \varnothing :4.5cm L: 7.6cm H: 5.5cm
 Beam Angle 30°
 Cutting Hole \varnothing : 3.6cm
 Depth Required \perp : 6cm
 Material Aluminium
 Suggested On-Off Driver LS-6-150 for 1 Fixture (pass from the hole)
 Suggested DALI Driver FLS12D for 1 Fixture (remote application)
 Color White Matt / **Code S136**

Power 6.5W
 Input 36V / 150mA
 Color Temperature 2700K
 Lumen 331Lm
 Cri 93
 IP 20
 UGR <12
 Dimensions \varnothing :5.2cm L: 8cm H: 5.5cm
 Beam Angle 30°
 Cutting Hole \varnothing : 4.3cm
 Depth Required \perp : 6cm
 Material Aluminium
 Suggested On-Off Driver LS-6-150 for 1 Fixture (pass from the hole)
 Suggested DALI Driver FLS12D for 1 Fixture (remote application)
 Special Feature Adjustable
 Color White Matt / **Code S139**



Power 6.5W
 Input 36V / 150mA
 Color Temperature 3000K
 Lumen 361Lm
 Cri 93
 IP 20
 UGR <12
 Dimensions \varnothing :5.2cm L: 8cm H: 5.5cm
 Beam Angle 30°
 Cutting Hole \varnothing : 4.3cm
 Depth Required \perp : 6cm
 Material Aluminium
 Suggested On-Off Driver LS-6-150 for 1 Fixture (pass from the hole)
 Suggested DALI Driver FLS12D for 1 Fixture (remote application)
 Special Feature Adjustable
 Color White Matt / **Code S140**



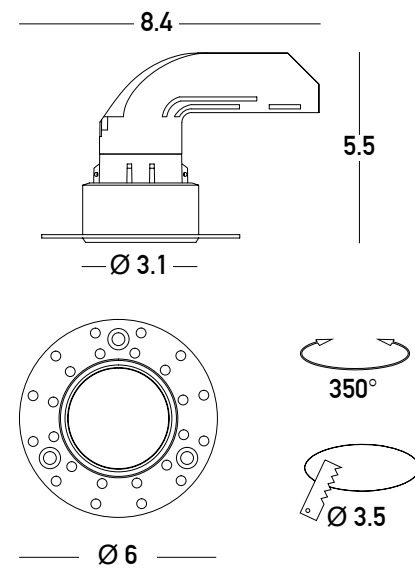
CODE	mA	Watt	V
LS-6-150	150	6	27-40



CODE	mA	Watt	V
FLS12D	120-350	12	9-42

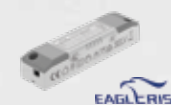
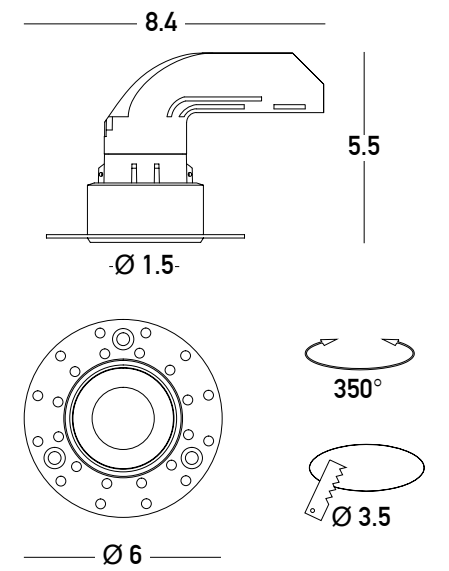
Power 6.5W
 Input 36V / 150mA
 Color Temperature 2700K
 Lumen 331Lm
 Cri 93
 IP 20
 UGR <12
 Dimensions Ø:3.1cm L:8.4cm H:5.5cm
 Beam Angle 30°
 Cutting Hole Ø:3.5cm
 Depth Required JTL : 6cm
 Material Aluminium
 Suggested On-Off Driver LS-6-150 for 1 Fixture (pass from the hole)
 Suggested DALI Driver FLS12D for 1 Fixture (remote application)
 Color White Matt / **Code S137**

Power 6.5W
 Input 36V / 150mA
 Color Temperature 3000K
 Lumen 361Lm
 Cri 93
 IP 20
 UGR <12
 Dimensions Ø:3.1cm L:8.4cm H:5.5cm
 Beam Angle 30°
 Cutting Hole Ø:3.5cm
 Depth Required JTL : 6cm
 Material Aluminium
 Suggested On-Off Driver LS-6-150 for 1 Fixture (pass from the hole)
 Suggested DALI Driver FLS12D for 1 Fixture (remote application)
 Color White Matt / **Code S138**



Power 6.5W
 Input 36V / 150mA
 Color Temperature 2700K
 Lumen 260Lm
 Cri 93
 IP 20
 UGR <10
 Dimensions Ø:1.5cm L:8.4cm H:5.5cm
 Beam Angle 30°
 Cutting Hole Ø:3.5cm
 Depth Required JTL : 6cm
 Material Aluminium
 Suggested On-Off Driver LS-6-150 for 1 Fixture (pass from the hole)
 Suggested DALI Driver FLS12D for 1 Fixture (remote application)
 Color White Matt / **Code S141**

Power 6.5W
 Input 36V / 50mA
 Color Temperature 3000K
 Lumen 282Lm
 Cri 93
 IP 20
 UGR <10
 Dimensions Ø:1.5cm L:8.4cm H:5.5cm
 Beam Angle 30°
 Cutting Hole Ø:3.5cm
 Depth Required JTL : 6cm
 Material Aluminium
 Suggested On-Off Driver LS-6-150 for 1 Fixture (pass from the hole)
 Suggested DALI Driver FLS12D for 1 Fixture (remote application)
 Color White Matt / **Code S142**

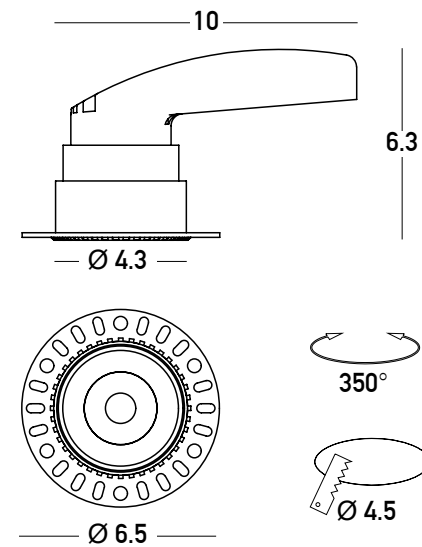


CODE	mA	Watt	V
LS-6-150	150	6	27-40

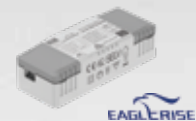
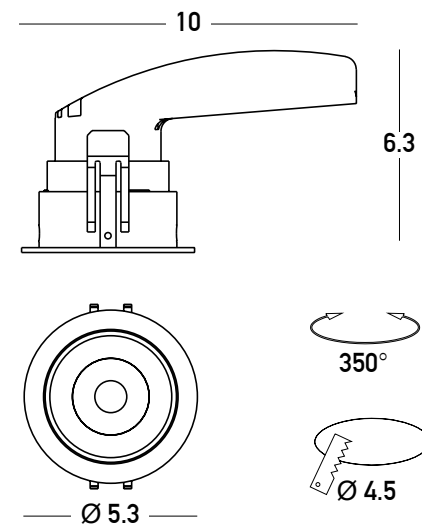


CODE	mA	Watt	V
FLS12D	120-350	12	9-42

Power 8W
 Input 36V / 200mA
 Color Temperature 3000K
 Lumen 587Lm
 Cri 90
 IP 20
 UGR <18
 Dimensions Ø:4.3cm L:10cm H:6.3cm
 Beam Angle 36°
 Cutting Hole Ø:4.5cm
 Material Aluminium
 Depth Required J_T: 6.5cm
 Suggested On-Off Driver 25300 for 1 Fixture (pass from the hole)
 Suggested DALI Driver FLS12D for 1 Fixture (remote application)
 Color Sandy White / **Code 25299**



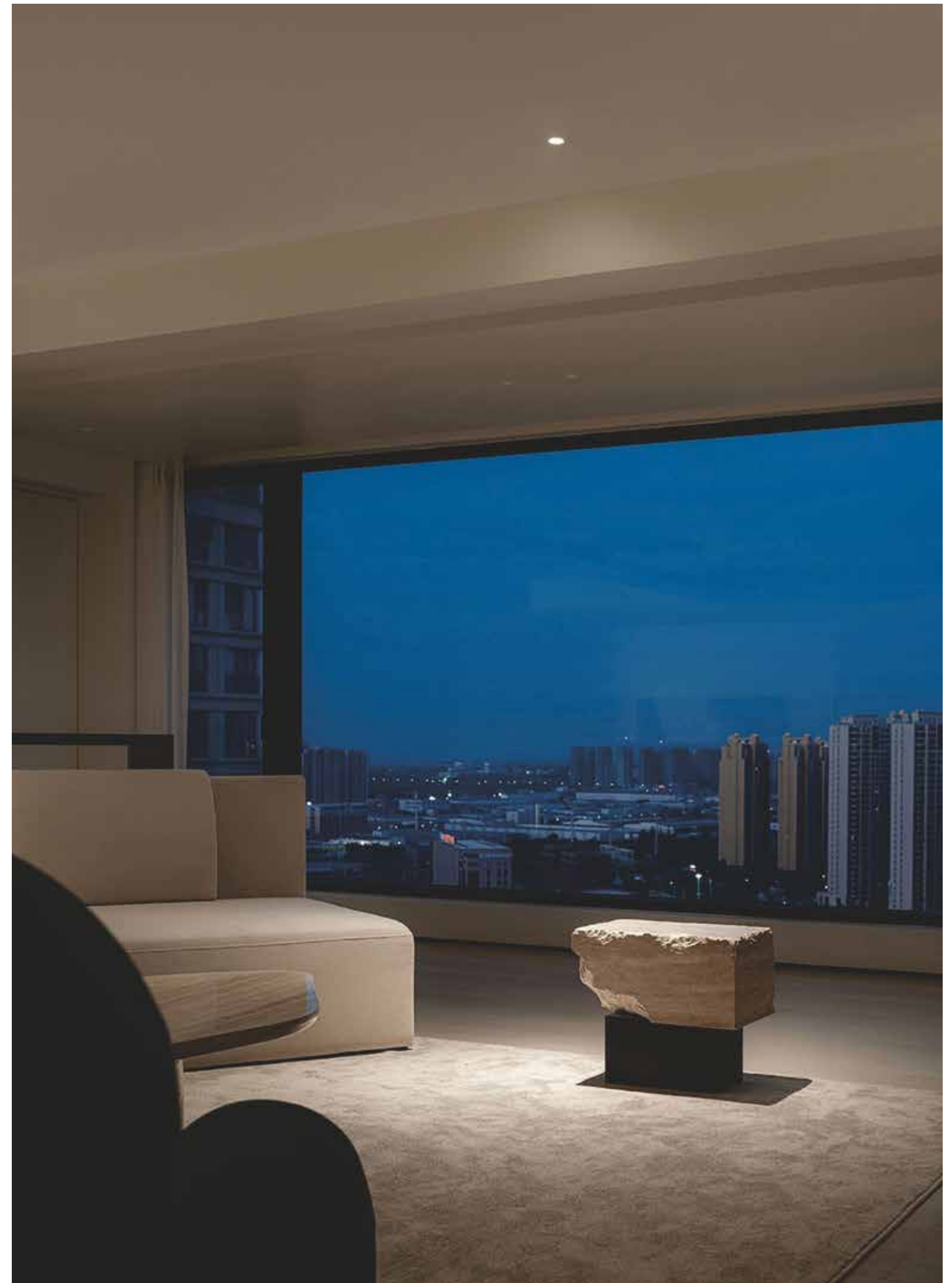
Power 8W
 Input 36V / 200mA
 Color Temperature 3000K
 Lumen 587Lm
 Cri 90
 IP 20
 UGR <18
 Dimensions Ø:5.3cm L:10cm H:6.3cm
 Beam Angle 36°
 Cutting Hole Ø:4.5cm
 Material Aluminium
 Depth Required J_T: 6.5cm
 Suggested On-Off Driver 25300 for 1 Fixture (pass from the hole)
 Suggested DALI Driver FLS12D for 1 Fixture (remote application)
 Color Sandy White / **Code 25301**

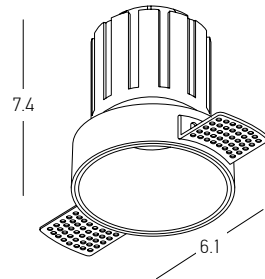


CODE	mA	Watt	V
25300	200	8	30-40



CODE	mA	Watt	V
FLS12D	120-350	12	9-42

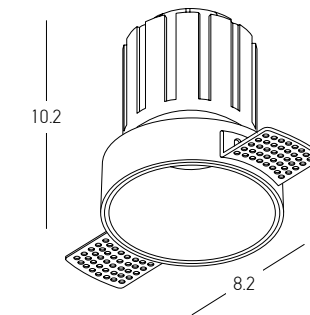




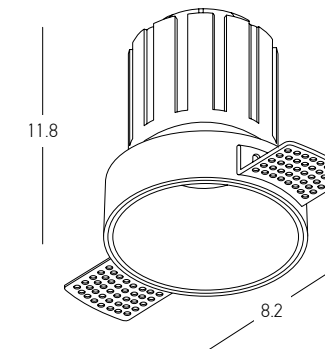
Power 6W
 Input 220-240V, 50/60Hz
 Color Temperature 3000K
 Lumen 430Lm
 Cri 90
 IP 20
 UGR <12
 Dimensions Ø: 6.1cm W: 10.9cm H: 7.4cm
 Cutting Hole Ø: 6.2cm
 Beam Angle 22°
 Material Aluminium
 Depth Required $\text{J}\overline{\text{T}}$: 8cm
 Driver On-Off Included (135mA) (pass from the hole)
 Suggested DALI Driver FLS42D for 1 Fixture (pass from the hole)
 Color Sandy White / **Code S095**



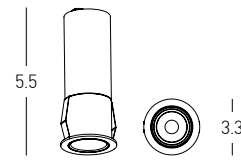
CODE	mA	Watt	V
FLS42D	150-1050	42	2.5-52



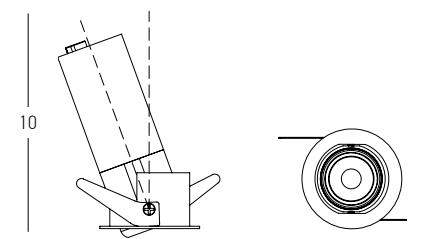
Power 9W
 Input 220-240V, 50/60Hz
 Color Temperature 3000K
 Lumen 675Lm
 Cri 90
 IP 20
 UGR <12
 Dimensions Ø: 8.2cm W: 13.5cm H: 10.2cm
 Cutting Hole Ø: 8.3cm
 Beam Angle 42°
 Material Aluminium
 Depth Required $\text{J}\overline{\text{T}}$: 10.5cm
 Driver On-Off Included (200mA) (pass from the hole)
 Suggested DALI Driver FLS42D for 1 Fixture (pass from the hole)
 Color Sandy White / **Code S096**



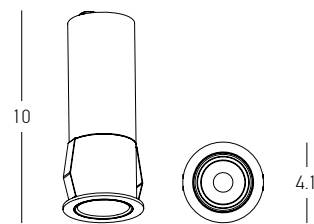
Power 15W
 Input 220-240V, 50/60Hz
 Color Temperature 3000K
 Lumen 1125Lm
 Cri 90
 IP 20
 UGR <12
 Dimensions Ø: 8.2cm W: 13.5cm H: 11.8cm
 Cutting Hole Ø: 8.3cm
 Beam Angle 42°
 Material Aluminium
 Depth Required $\text{J}\overline{\text{T}}$: 12cm
 Driver On-Off Included (350mA) (pass from the hole)
 Suggested DALI Driver FLS42D for 1 Fixture (pass from the hole)
 Color Sandy White / **Code S097**



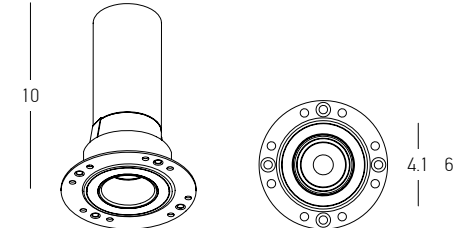
Power 3W
 Input 3V / 700mA
 Color Temperature 2700K | 3000K
 Lumen 176 | 195Lm
 Cri 90
 IP 20
 UGR <15
 Dimensions Ø: 3.3cm H: 5.5cm
 Beam Angle 35°
 Cutting Hole Ø: 3cm
 Depth Required JTl : 5.5cm
 Material Aluminium
 Suggested On-Off Driver LS-3-700 for 1 Fixture (pass from the hole)
 Suggested DALI Driver 4062172151252 for 1 Fixture (remote application)
 Color 3000K White Matt / **Code S181**
 Color 2700K White Matt / **Code S182**



Power 7.5W
 Input 36V / 180mA
 Color Temperature 2700K | 3000K
 Lumen 466 | 517Lm
 Cri 90
 IP 20
 UGR <15
 Dimensions Ø: 5cm H: 10cm
 Beam Angle 38°
 Cutting Hole Ø: 4.6cm
 Depth Required JTl : 10.5cm
 Material Aluminium
 Suggested On-Off Driver D-OT FIT8 for 1 Fixture (pass from the hole)
 Suggested DALI Driver FLS12D for 1 Fixture (remote application)
 Special Feature Adjustable
 Color 3000K White Matt / **Code S187**
 Color 2700K White Matt / **Code S188**



Power 7.5W
 Input 36V / 180mA
 Color Temperature 2700K | 3000K
 Lumen 466 | 517Lm
 Cri 90
 IP 20
 UGR <15
 Dimensions Ø: 4.1cm H: 10cm
 Beam Angle 38°
 Cutting Hole Ø: 3.6cm
 Depth Required JTl : 10.5cm
 Material Aluminium
 Suggested On-Off Driver D-OT FIT8 for 1 Fixture (pass from the hole)
 Suggested DALI Driver FLS12D for 1 Fixture (remote application)
 Color 3000K White Matt / **Code S183**
 Color 2700K White Matt / **Code S184**



Power 7.5W
 Input 36V / 180mA
 Color Temperature 2700K | 3000K
 Lumen 466 | 517Lm
 Cri 90
 IP 20
 UGR <15
 Dimensions Ø: 4.1cm H: 10cm
 Beam Angle 35°
 Cutting Hole Ø: 4.4cm
 Depth Required JTl : 10.5cm
 Material Aluminium
 Suggested On-Off Driver D-OT FIT8 for 1 Fixture (pass from the hole)
 Suggested DALI Driver FLS12D for 1 Fixture (remote application)
 Color 3000K White Matt / **Code S185**
 Color 2700K White Matt / **Code S186**

RINGS FOR S181 & S182



Material Aluminium
 Color Gold / **Code RFL G 181**
 Color Black Matt / **Code RFL B 181**

RINGS FOR S183 & S184



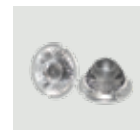
Material Aluminium
 Color Gold / **Code RFL G 185**
 Color Black Matt / **Code RFL B 185**

RINGS FOR S185 & S186



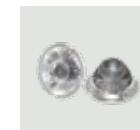
Material Aluminium
 Color Gold / **Code RFL G 185**
 Color Black Matt / **Code RFL B 185**

LENS FOR S183 & S184



Dimensions Ø: 2.6cm
 Beam Angle 20°
Code LNS 20 183

LENS FOR S185 & S186



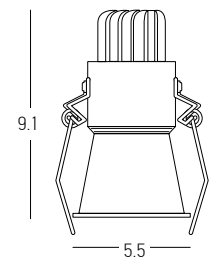
Dimensions Ø: 2.6cm
 Beam Angle 20°
Code LNS 20 183

	CODE	mA	Watt	V
	LS-3-700	700	3	max 10

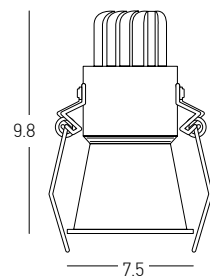
	CODE	mA	Watt	V
	4062172151252	150-700	10	2.5-45

	CODE	mA	Watt	V
	D-OT FIT8	80-180	8	30-42

	CODE	mA	Watt	V
	FLS12D	120-350	12	9-42



Power 6W
 Input 220-240V, 50/60Hz
 Color Temperature 3000K
 Lumen 377Lm
 Cri 90
 IP 20
 UGR <10
 Dimensions Ø: 5.5cm H: 9.1cm
 Cutting Hole Ø: 5.2cm
 Beam Angle 24°
 Material Aluminium
 Depth Required JTL : 9.5cm
 Driver On-Off Included (160mA)
 Suggested DALI Driver 4062172151252 for 1 Fixture (pass from the hole)
 Color White Matt / **Code S073**
 Color Black Matt / **Code S074**

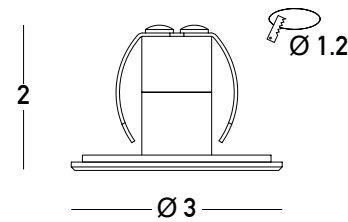


Power 10W
 Input 220-240V, 50/60Hz
 Color Temperature 3000K
 Lumen 731Lm
 Cri 90
 IP 20
 UGR <10
 Dimensions Ø: 7.5cm H: 9.8cm
 Cutting Hole Ø: 7.2cm
 Beam Angle 31°
 Material Aluminium
 Depth Required JTL : 10.5cm
 Driver On-Off Included (250mA)
 Suggested DALI Driver 4062172151252 for 1 Fixture (pass from the hole)
 Color White Matt / **Code S075**
 Color Black Matt / **Code S076**

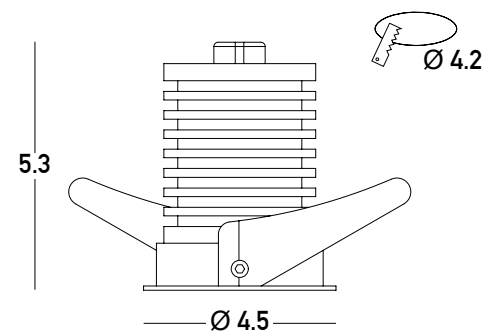


CODE	mA	Watt	V
4062172151252	150-700	10	2.5-45





Power 2W
 Input 3V / 700mA
 Color Temperature 3000K
 Lumen 120Lm
 Cri 90
 IP 44
 UGR <12
 Dimensions Ø: 3cm H: 2cm
 Beam Angle 40°
 Cutting Hole Ø: 1.2cm
 Material Aluminium
 Depth Required ITL: 2.5cm
 Suggested On-Off Driver LS-3-700 for 1 Fixture (remote application)
 Color Sandy White / **Code S169**
 Color Sandy Black / **Code S170**

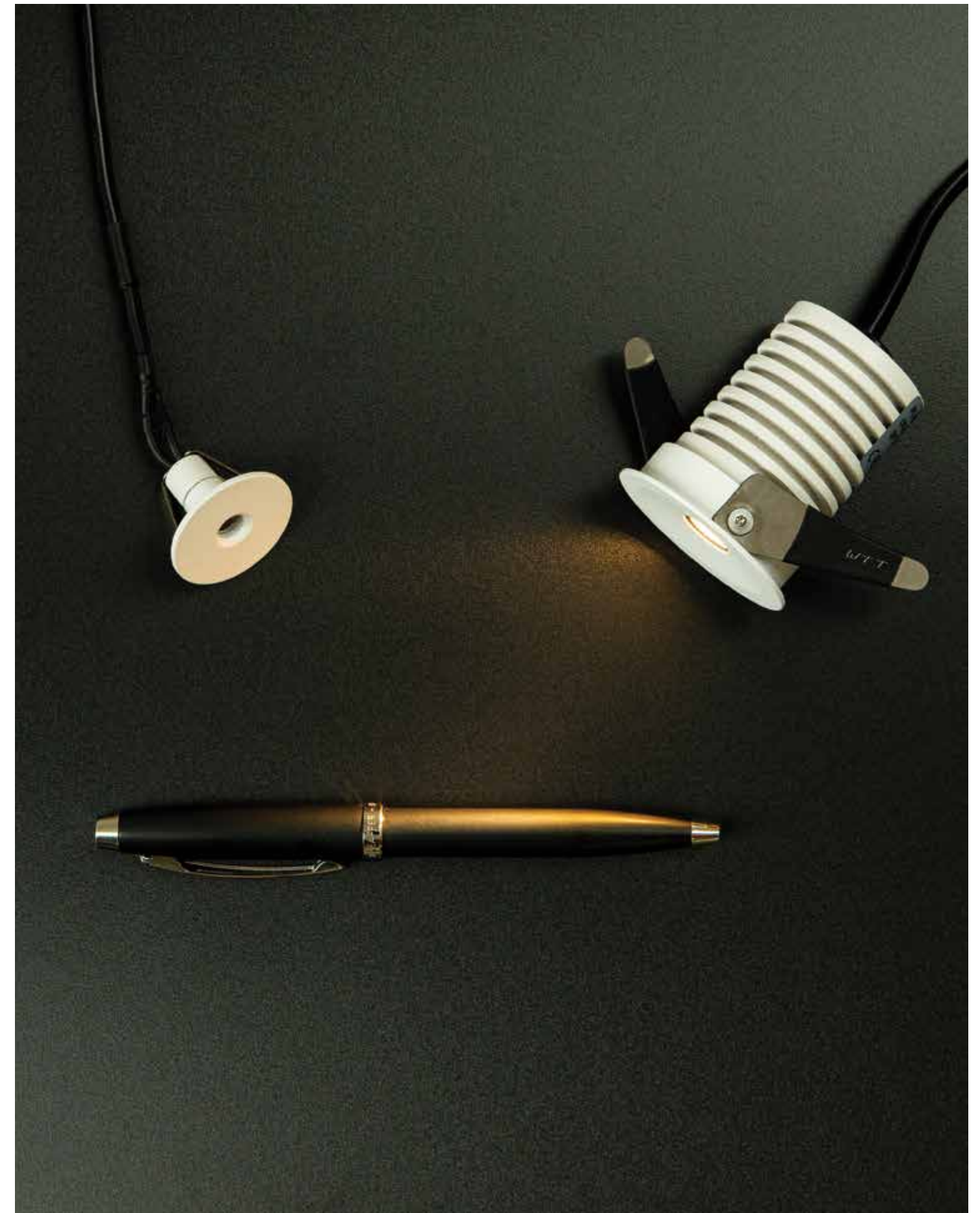
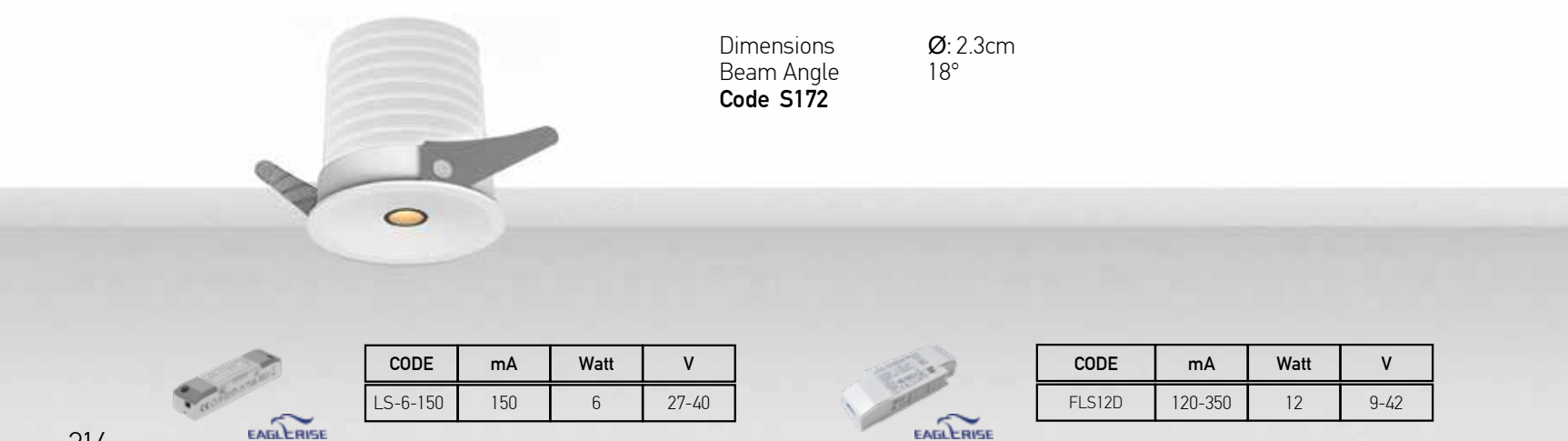


Power 6W
 Input 36V / 150mA
 Color Temperature 3000K
 Lumen 420Lm
 Cri 90
 IP 44
 UGR <18
 Dimensions Ø: 4.5cm H: 5.3cm
 Beam Angle 38°
 Cutting Hole Ø: 4.2cm
 Material Aluminium
 Depth Required ITL: 5.5cm
 Suggested On-Off Driver LS-6-150 for 1 Fixture (pass from the hole)
 Suggested DALI Driver FLS12D for 1 Fixture (remote application)
 Color Sandy White / **Code S171**



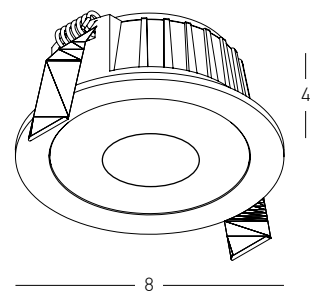
Reflector for S171

Dimensions Ø: 2.3cm
 Beam Angle 18°
Code S172





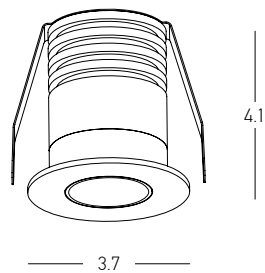
IP54



Power 6W
 Input 220-240V, 50/60Hz
 Color Temperature 3000K
 Lumen 440Lm
 Cri 90
 IP 54
 UGR <17
 Dimensions Ø: 8cm H: 4cm
 Cutting Hole Ø: 7.3cm
 Beam Angle 20°
 Non Dimmable
 Material Aluminium - Glass
 Depth Required JT: 4.5cm
 Driver Included
 Color Black Matt / **Code S110**
 Color White Matt / **Code S111**



IP65



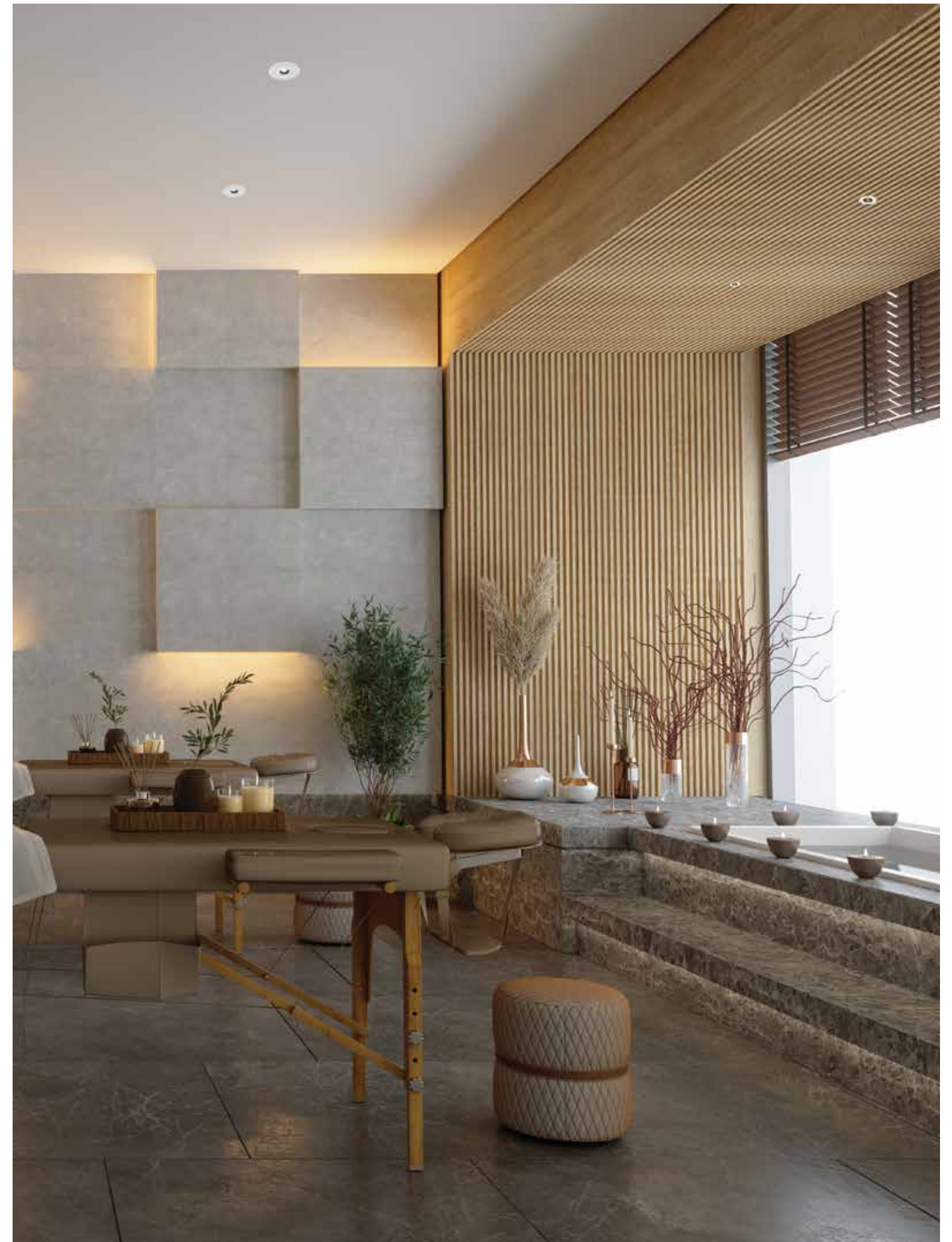
Power 2W
 Input 3V / 500mA
 Color Temperature 3000K
 Lumen 138Lm
 Cri 80
 IP 65
 UGR <12
 Dimensions Ø: 3.7cm H: 4.1cm
 Beam Angle 24°
 Cutting Hole Ø: 3.2cm
 Material Aluminium
 Depth Required JT: 5cm
 Suggested On-Off Driver D-iT FIT7 for 1 Fixture (remote application)
 Suggested DALI Driver FLS42D for 1-13 Fixtures (remote application)
 Color Sandy White / **Code 180016**

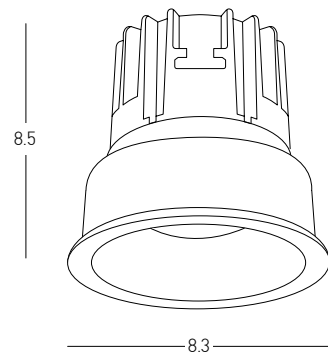


CODE	mA	Watt	V
D-iT FIT7	350-700	7	2.5-11



CODE	mA	Watt	V
FLS42D	150-1050	42	2.5-52

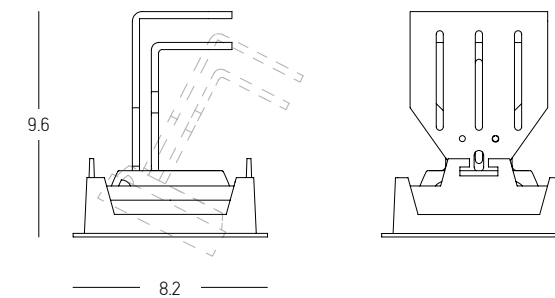




Power 13W
 Input 220-240V, 50/60Hz
 Color Temperature 3000K
 Lumen 910Lm
 Cri 90
 IP 20
 UGR <16
 Dimensions Ø: 8.3cm H: 8.5cm
 Cutting Hole Ø: 7.6cm
 Beam Angle 28°
 Material Aluminium
 Depth Required JTL : 9cm
 Driver On-Off Included (300mA)
 Suggested DALI Driver FLS42D for 1 Fixture (pass from the hole)
 Color Black Matt / **Code S078**
 Color White Matt / **Code S077**

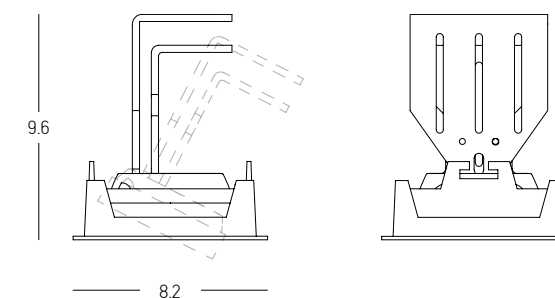


CODE	mA	Watt	V
FLS42D	150-1050	42	2.5-52



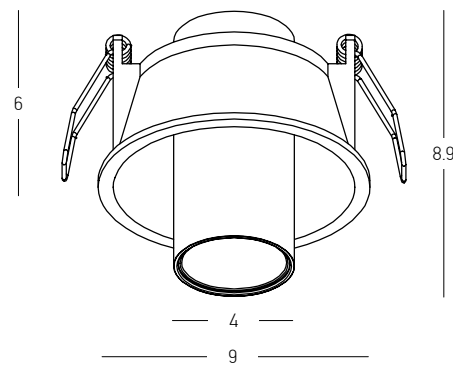
Power 9W
 Input 220-240V, 50/60Hz
 Color Temperature 3000K
 Lumen 645Lm
 Cri 90
 IP 20
 UGR <19
 Dimensions L: 8.2cm W: 8.2cm H: 9.6cm
 Beam Angle 36°
 Cutting Hole L: 7.5cm W: 7.5cm
 Material Aluminium
 Depth Required JTL : 10cm
 Special Feature Adjustable
 Included LED Driver
 Color Sandy Black / **Code S146**

Power 9W
 Input 220-240V, 50/60Hz
 Color Temperature 2700K
 Lumen 596Lm
 Cri 90
 IP 20
 UGR <19
 Dimensions L: 8.2cm W: 8.2cm H: 9.6cm
 Beam Angle 36°
 Cutting Hole L: 7.5cm W: 7.5cm
 Material Aluminium
 Depth Required JTL : 10cm
 Special Feature Adjustable
 Included LED Driver
 Color Sandy Black / **Code S145**



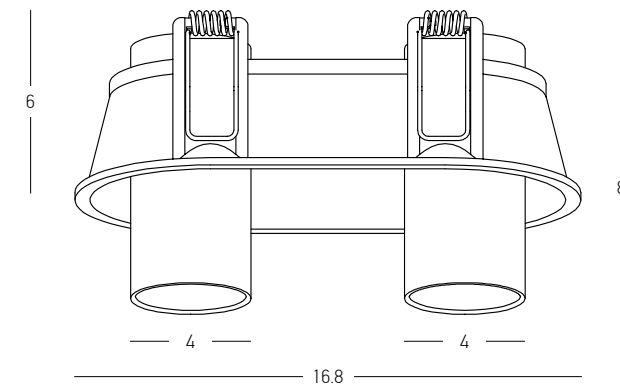
Power 9W
 Input 220-240V, 50/60Hz
 Color Temperature 3000K
 Lumen 645Lm
 Cri 90
 IP 20
 UGR <19
 Dimensions Ø: 8.2cm H: 9.6cm
 Beam Angle 36°
 Cutting Hole Ø: 7.5cm
 Material Aluminium
 Depth Required JTL : 10cm
 Special Feature Adjustable
 Included LED Driver
 Color Sandy White / **Code S144**

Power 9W
 Input 220-240V, 50/60Hz
 Color Temperature 2700K
 Lumen 596Lm
 Cri 90
 IP 20
 UGR <19
 Dimensions Ø: 8.2cm H: 9.6cm
 Beam Angle 36°
 Cutting Hole Ø: 7.5cm
 Material Aluminium
 Depth Required JTL : 10cm
 Special Feature Adjustable
 Included LED Driver
 Color Sandy White / **Code S143**



Power 9W
 Input 220-240V, 50/60Hz
 Color Temperature 2700K | 3000K | 4000K
 Lumen 572Lm | 613Lm | 642Lm
 Cri 90
 IP 20
 UGR <12
 Dimensions Ø: 9cm H: 8.9cm
 Beam Angle 24°
 Cutting Hole Ø: 8.5cm
 Non Dimmable ☒
 Material Aluminium
 Depth Required \square : 6.5cm
 Driver On-Off Included (220mA) (pass from the hole)
 Special Feature Movable
 Stick Ø: 4cm

Color Sandy Black-Gold Ring / **Code 25361**
 Color Sandy White-Gold Ring / **Code 25362**



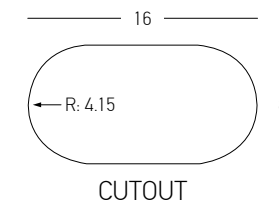
Power 2x 9W
 Input 220-240V, 50/60Hz
 Color Temperature 2700K | 3000K | 4000K
 Lumen 1008Lm | 1134Lm | 1185Lm
 Cri 90
 IP 20
 UGR <12
 Dimensions L: 16.8cm W: 9cm H: 8.9cm
 Beam Angle 24°
 Cutting Hole 8.3cm x 16cm
 Non Dimmable ☒
 Material Aluminium
 Depth Required \square : 6.5cm
 Driver On-Off Included (220mA) (pass from the hole)
 Special Feature Movable
 Stick Ø: 4cm

Color Sandy Black-Black Ring / **Code 25363**
 Color Sandy White-Black Ring / **Code 25364**

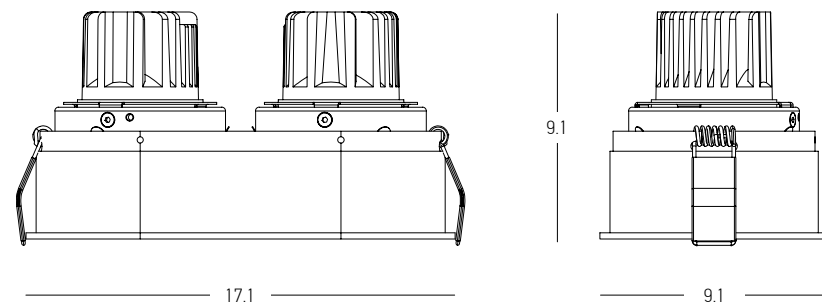


Rings for 25361, 25362, 25363, 25364

Material Aluminium
 Color Sandy Black / **Code 25477**
 Color Sandy White / **Code 25478**



IP44



Power 2x 10W
 Input 36V / 250mA
 Color Temperature 3000K
 Lumen 1440Lm
 Cri 90
 IP 44
 UGR <12
 Dimensions L: 17.1cm W: 9.1cm H: 9.1cm
 Cutting Hole 8.5cm x 16.5cm
 Beam Angle 38°
 Material Aluminium
 Depth Required ITL : 10cm
 Suggested On-Off Driver FLS42 (500mA), (pass from the hole), Parallel Connection
 Suggested DALI Driver FLS42D (500mA), (pass from the hole), Parallel Connection
 Special Feature Movable
 Stick \varnothing : 4.5cm

Color Sandy White / **Code S175**
 Color Sandy Black / **Code S176**



CODE	mA	Watt	V
FLS42	300-1050	42	9-52



CODE	mA	Watt	V
FLS21	150-500	21	10-42



CODE	mA	Watt	V
FLS42D	150-1050	42	2.5-52



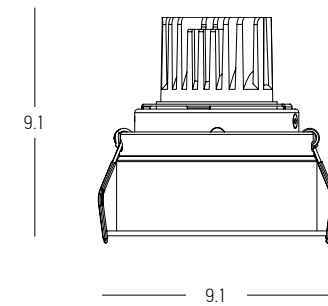
CODE	mA	Watt	V
FLS12D	120-350	12	9-42



IP44

Power 10W
 Input 36V / 250mA
 Color Temperature 3000K
 Lumen 720Lm
 Cri 90
 IP 44
 UGR <12
 Dimensions \varnothing : 9.1cm H: 9.1cm
 Cutting Hole \varnothing : 8.5cm
 Beam Angle 38°
 Material Aluminium
 Depth Required ITL : 10cm
 Suggested On-Off Driver FLS21 (pass from the hole)
 Suggested DALI Driver FLS12D (pass from the hole)
 Special Feature Movable
 Stick \varnothing : 4.5cm

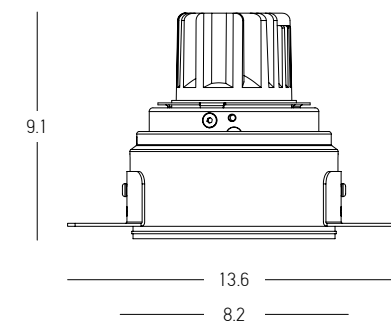
Color Sandy White / **Code S173**
 Color Sandy Black / **Code S174**

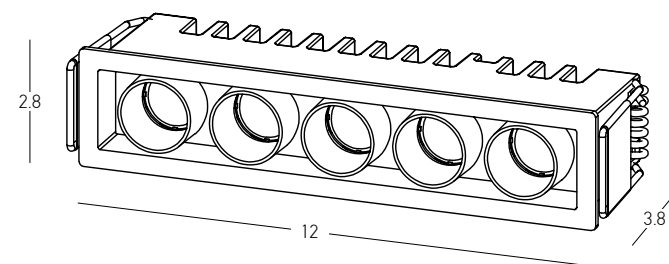
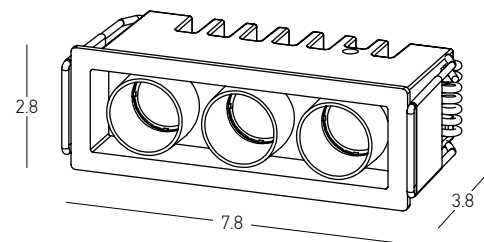
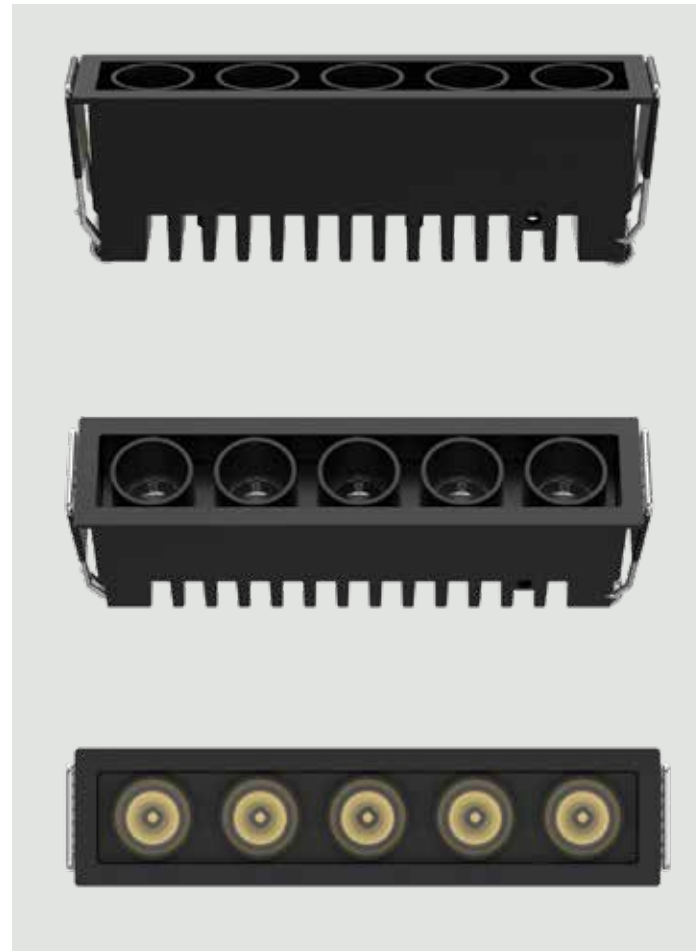
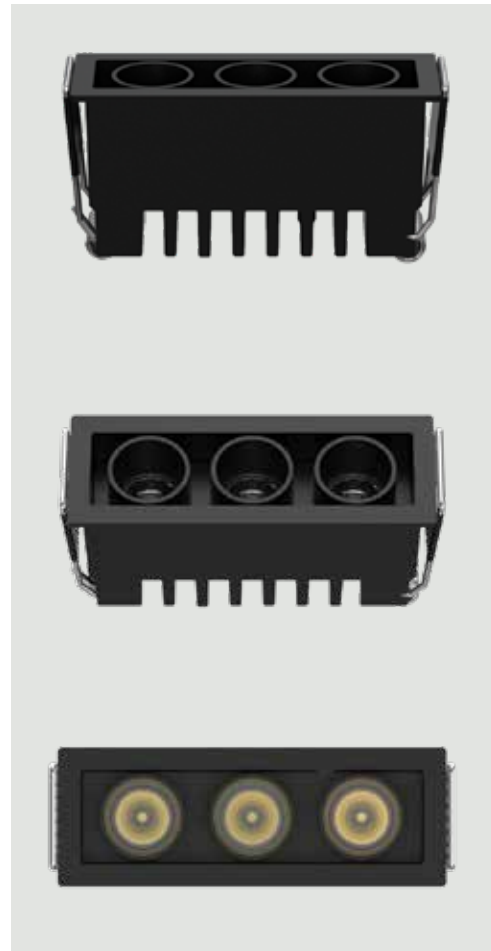


IP44

Power 10W
 Input 36V / 250mA
 Color Temperature 3000K
 Lumen 720Lm
 Cri 90
 IP 44
 UGR <12
 Dimensions \varnothing : 8.2cm H: 9.1cm
 Cutting Hole \varnothing : 8.3cm
 Beam Angle 38°
 Material Aluminium
 Depth Required ITL : 10cm
 Suggested On-Off Driver FLS21 (pass from the hole)
 Suggested DALI Driver FLS12D (pass from the hole)
 Special Feature Movable
 Stick \varnothing : 4.5cm

Color Sandy White / **Code S177**
 Color Sandy Black / **Code S178**





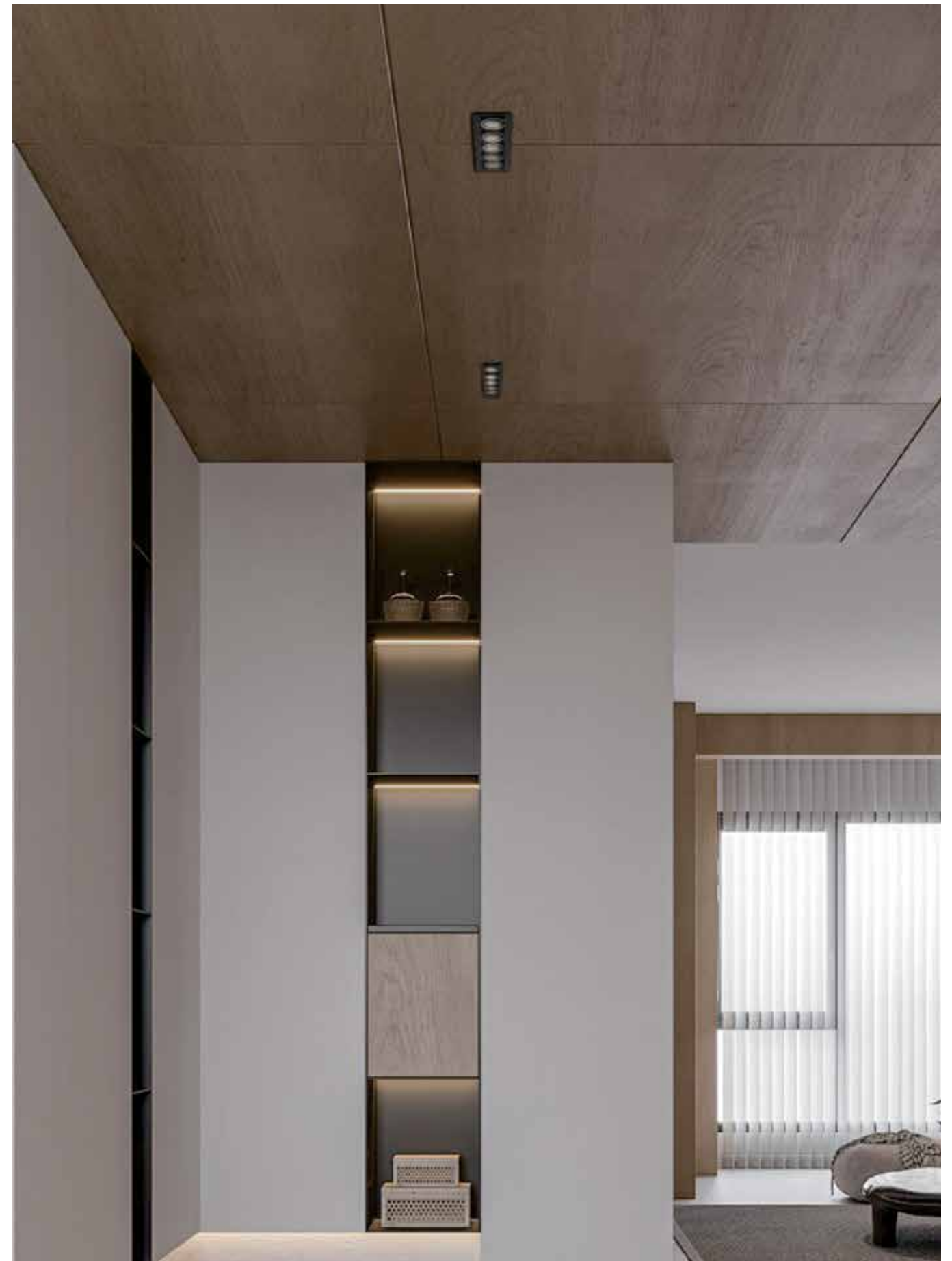
Power 7W
 Input 9V / 700mA
 Color Temperature 3000K
 Lumen 440Lm
 Cri 93
 IP 20
 UGR <16
 Dimensions L: 7.8cm W: 2.8cm H: 3.8cm
 Beam Angle 36°
 Cutting Hole 7.4cm x 2.4cm
 Material Aluminium
 Depth Required $\overline{\text{IT}}$: 4.3cm
 Suggested On-Off Driver KGP7 for 1 Fixture (pass from the hole)
 Suggested DALI Driver FLS42D for 1-4 Fixtures (remote application)
 Special Feature Series Connection
 Color Sandy Black / **Code S335**

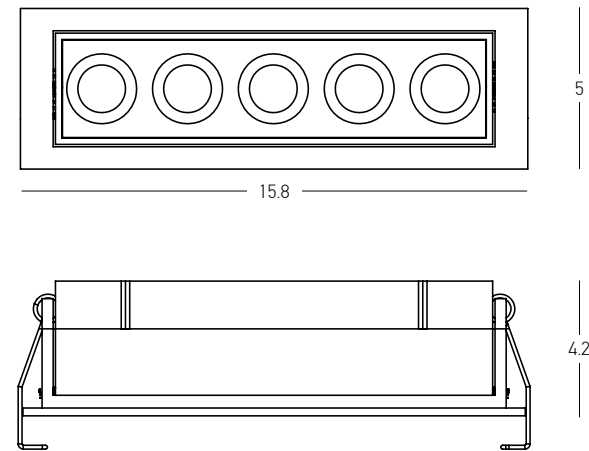
Power 12W
 Input 15V / 700mA
 Color Temperature 3000K
 Lumen 787Lm
 Cri 93
 IP 20
 UGR <16
 Dimensions L: 12cm W: 2.8cm H: 3.8cm
 Beam Angle 36°
 Cutting Hole 11.6cm x 2.4cm
 Material Aluminium
 Depth Required $\overline{\text{IT}}$: 4.3cm
 Suggested On-Off Driver FLS42 for 1 Fixture (remote application)
 Suggested DALI Driver FLS42D for 1-3 Fixtures (remote application)
 Special Feature Series Connection
 Color Sandy Black / **Code S336**

CODE	mA	Watt	V
KGP7	100-700	7	2.5-20



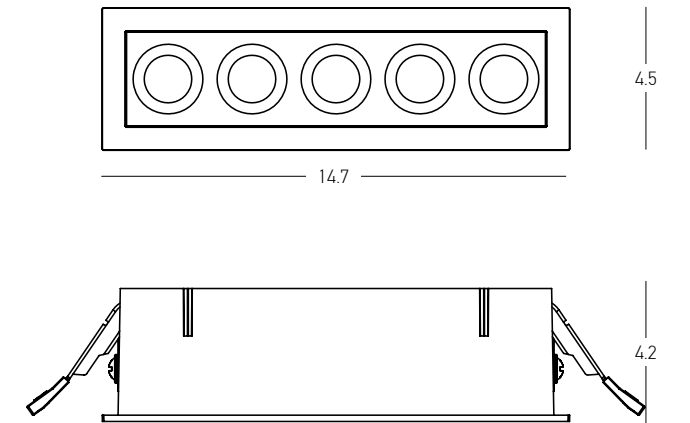
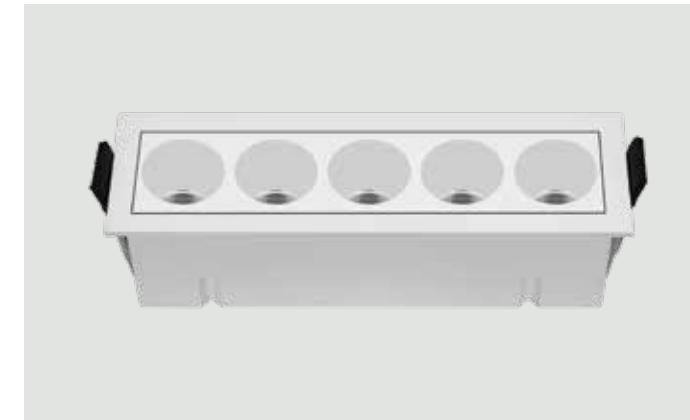
CODE	mA	Watt	V
FLS42	300-1050	42	9-52





Power 12W
 Input 15V / 700mA
 Color Temperature 3000K
 Lumen 800Lm
 Cri 90
 IP 20
 UGR <17
 Dimensions L: 15.8cm W: 5cm H: 4.2cm
 Cutting Hole L: 15cm W: 4.5cm
 Beam Angle 36°
 Material Aluminium
 Depth Required JTL : 5cm
 Suggested On-Off Driver KEDH012 for 1 Fixture (pass from the hole)
 Suggested DALI Driver FLS42D for 1-2 Fixtures (pass from the hole)
 Special Feature Adjustable Series Connection

Color Sandy White / **Code S195**
 Color Sandy Black / **Code S196**



Power 12W
 Input 15V / 700mA
 Color Temperature 3000K
 Lumen 800Lm
 Cri 90
 IP 20
 UGR <17
 Dimensions L: 14.7cm W: 4.5cm H: 4.2cm
 Cutting Hole L: 14.2cm W: 3.7cm
 Beam Angle 36°
 Material Aluminium
 Depth Required JTL : 5cm
 Suggested On-Off Driver KEDH012 for 1 Fixture (pass from the hole)
 Suggested DALI Driver FLS42D for 1-2 Fixtures (pass from the hole)
 Special Feature Series Connection

Color Sandy White / **Code S191**
 Color Sandy Black / **Code S192**

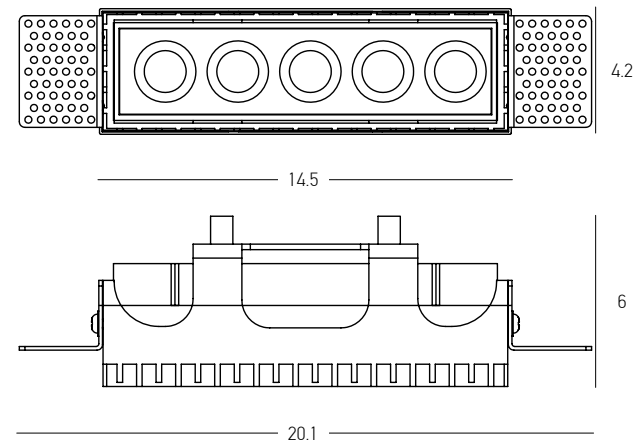


CODE	mA	Watt	V
KEDH012	700	12	9-18

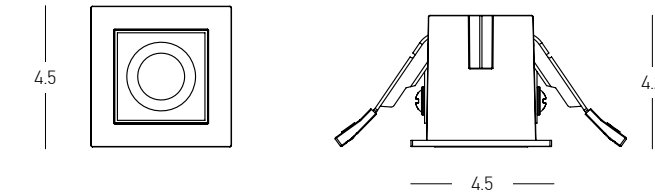


CODE	mA	Watt	V
FLS42D	150-1050	42	2.5-52

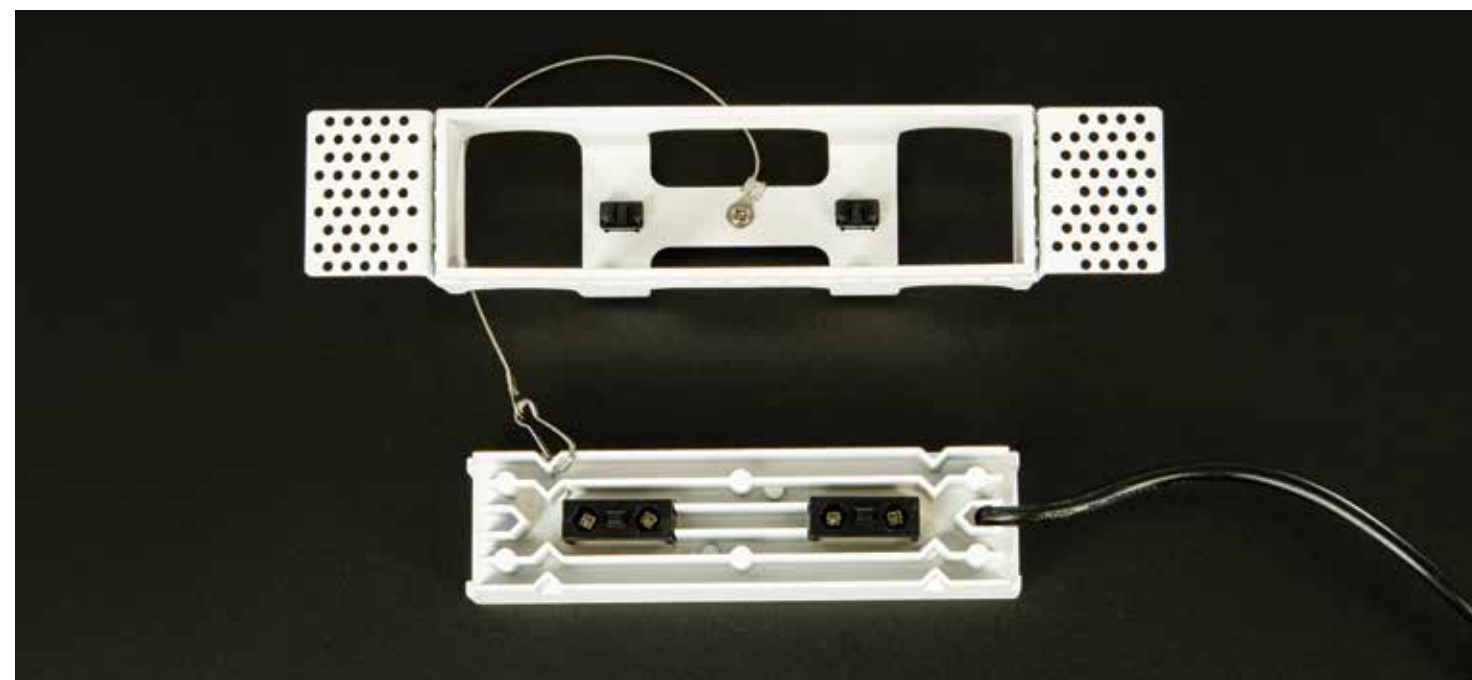




Power 12W
 Input 15V / 700mA
 Color Temperature 3000K
 Lumen 800Lm
 Cri 90
 IP 65
 UGR <17
 Dimensions L: 14.5cm W: 4.2cm H: 6cm
 Cutting Hole L: 14.7cm W: 4.3cm
 Beam Angle 36°
 Material Aluminium
 Depth Required J_T : 6.5cm
 Suggested On-Off Driver KEDH012 for 1 Fixture (pass from the hole)
 Suggested DALI Driver FLS42D for 1-2 Fixtures (remote application)
 Special Feature Series Connection
 Color Sandy White / **Code S193**
 Color Sandy Black / **Code S194**



Power 3W
 Input 3V / 700mA
 Color Temperature 3000K
 Lumen 180Lm
 Cri 90
 IP 65
 UGR <17
 Dimensions L: 4.5cm W: 4.5cm H: 4.2cm
 Cutting Hole L: 4.2cm W: 3.7cm
 Beam Angle 36°
 Material Aluminium
 Depth Required J_T : 6cm
 Suggested On-Off Driver LS-3-700 for 1 Fixture (pass from the hole)
 Suggested DALI Driver FLS42D for 1-12 Fixtures (remote application)
 Special Feature Series Connection
 Color Sandy Black / **Code S190**
 Color Sandy White / **Code S189**



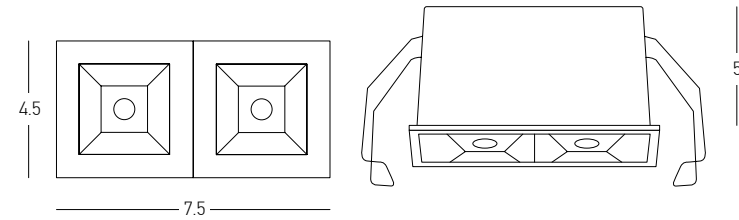
CODE	mA	Watt	V
KEDH012	700	12	9-18



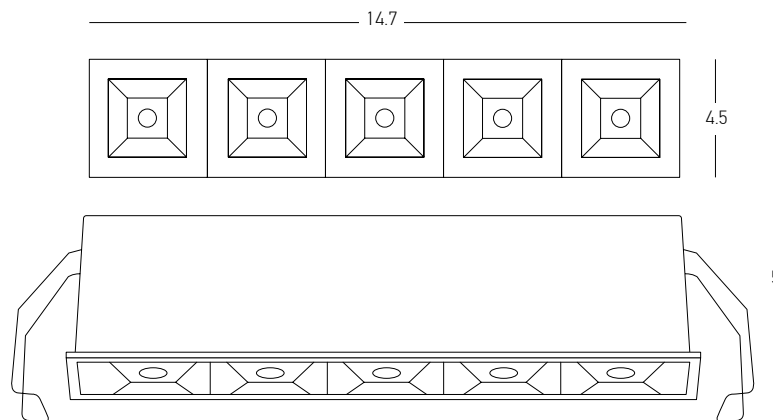
CODE	mA	Watt	V
LS-3-700	700	3	max 10



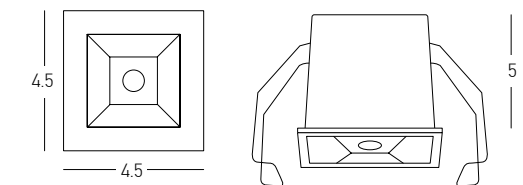
CODE	mA	Watt	V
FLS42D	150-1050	42	2.5-52



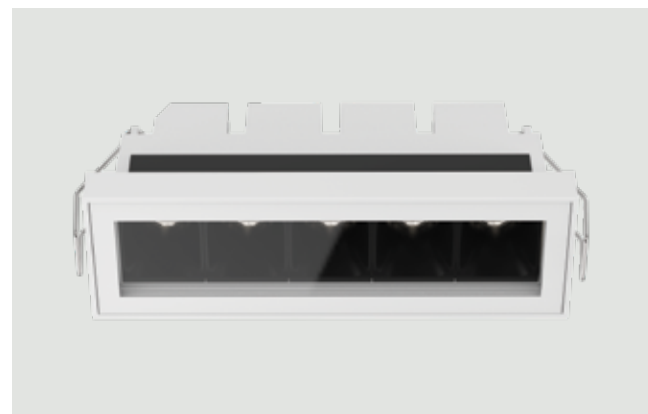
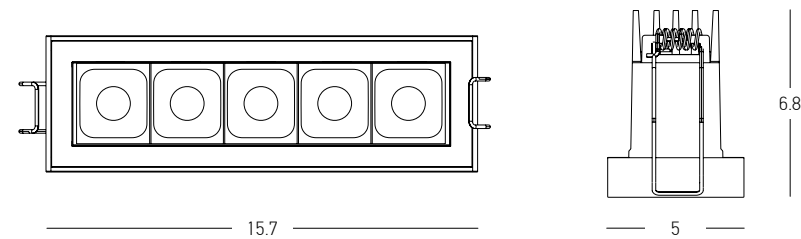
Power 5W
 Input 220-240V, 50/60Hz
 Color Temperature 3000K
 Lumen 350Lm
 Cri 90
 IP 20
 UGR <18
 Dimensions L: 7.5cm W: 4.5cm H: 5cm
 Cutting Hole 6.5 x 3.5cm
 Beam Angle 30°
 Non Dimmable
 Material Aluminium
 Depth Required ITL : 5.5cm
 Driver Included (600mA)
 Suggested DALI Driver FLS42D for 1 Fixture (remote application)
 Color Sandy White - Black / **Code S085**
 Color Sandy Black / **Code S085-B**



Power 11W
 Input 220-240V, 50/60Hz
 Color Temperature 3000K
 Lumen 770Lm
 Cri 90
 IP 20
 UGR <18
 Dimensions L: 14.7cm W: 4.5cm H: 5cm
 Cutting Hole 13.5 x 3.5cm
 Beam Angle 30°
 Non Dimmable
 Material Aluminium
 Depth Required ITL : 5.5cm
 Driver Included (600mA)
 Suggested DALI Driver FLS42D for 1 Fixture (pass from the hole)
 Color Sandy White - Black / **Code S086**
 Color Sandy Black / **Code S086-B**

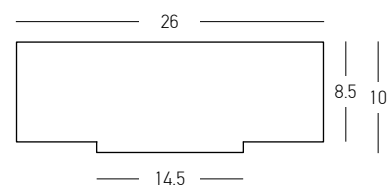


Power 3W
 Input 220-240V, 50/60Hz
 Color Temperature 3000K
 Lumen 169Lm
 Cri 90
 IP 20
 UGR <18
 Dimensions L: 4.5cm W: 4.5cm H: 5cm
 Cutting Hole 3.5 x 3.5cm
 Beam Angle 30°
 Non Dimmable
 Material Aluminium
 Depth Required ITL : 5.5cm
 Driver Included (700mA)
 Suggested DALI Driver FLS42D for 1 Fixture (remote application)
 Color Sandy White - Black / **Code S084**



Power 12W
 Input 220-240V, 50/60Hz
 Color Temperature 3000K
 Lumen 757Lm
 Cri 90
 IP 65
 UGR <17
 Dimensions L: 15.7cm W: 5cm H: 6.8cm
 Cutting Hole 14.2 x 3.5cm
 Beam Angle 40°
 Non Dimmable ☒
 Material Stainless Steel - Aluminium - Tempered Glass
 Depth Required ITL: 6cm
 Driver Included (700mA)
 Suggested DALI Driver FLS42D for 1 Fixture (pass from the hole)
 Color Sandy Black / **Code E332**
 Color Sandy White / **Code E333**

IP65



Recessed Box for Concrete Application (for E332-E333)

Dimensions L: 26cm W: 4.3cm H: 10cm
 Material Galvanized Steel
 Hole 14.5cm x 4cm
 Color Natural / **Code E333-4-BOX**



CODE	mA	Watt	V
FLS42D	150-1050	42	2.5-52



16. DOWNLIGHT RECESSED & TRIMLESS SPOTS GU10



SPOT REFERENCE

INSTALLATION

Trimless | Recessed



Dimming On-Off, Dali

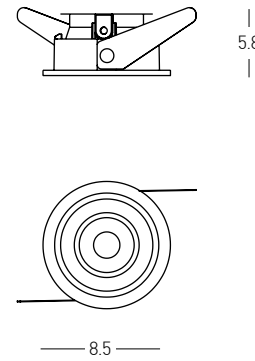
IP Rating 20-65

Non Adjustable-Adjustable



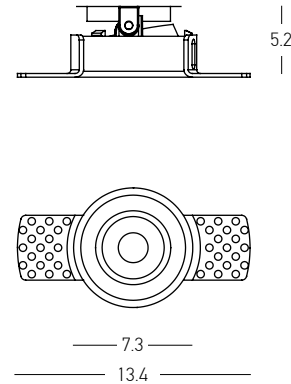
ADJUSTABLE MODELS

RECESSED APPLICATION



Bulb 1x GU10 LED
 Power 10W MAX
 Input 220-240V, 50/60Hz
 Dimensions Ø: 8.5cm H: 5.8cm
 Cutting Hole Ø: 7.4cm
 Material Aluminium - Plastic
 Depth Required \square : 10.5cm
 Special Feature GU10 Lampholder Not Included
 Color Sandy White-Black Chrome / **Code S125**

TRIMLESS APPLICATION



Bulb 1x GU10 LED
 Power 10W MAX
 Input 220-240V, 50/60Hz
 Dimensions Ø: 7.3cm H: 5.2cm
 Cutting Hole Ø: 7.4cm
 Material Aluminium - Plastic
 Depth Required \square : 10.5cm
 Special Feature GU10 Lampholder Not Included
 Color Sandy White-Black Chrome / **Code S127**

ACCESSORIES FOR ADJUSTABLE SPOTS



Black Matt Code RFL125-BL Gold Matt Code RFL125-G White Matt Code RFL125-WH Pinhole Oval Code S129 Honeycomb Code HNCMB

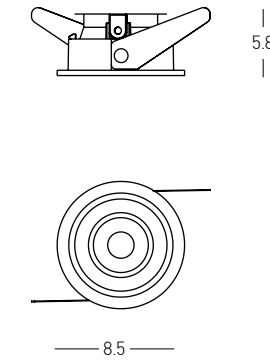
SUGGESTED LAMP-DRIVERS **OSRAM**



COIN 50 G3 go to page 482 Phase Cut Driver Code D-OTE-18 DALI Driver Code 4062172227735 On-Off Driver Code 6977770430235

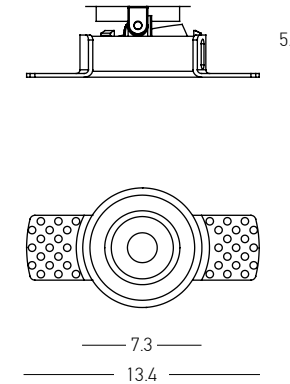
NON ADJUSTABLE MODELS

RECESSED APPLICATION



Bulb 1x GU10 LED
 Power 10W MAX
 Input 220-240V, 50/60Hz
 Dimensions Ø: 8.5cm H: 5.8cm
 Cutting Hole Ø: 7.4cm
 Material Aluminium - Plastic
 Depth Required \square : 10.5cm
 Special Feature GU10 Lampholder Not Included
 Color Sandy White-Black Chrome / **Code S126**

TRIMLESS APPLICATION



Bulb 1x GU10 LED
 Power 10W MAX
 Input 220-240V, 50/60Hz
 Dimensions Ø: 7.3cm H: 5.2cm
 Cutting Hole Ø: 7.4cm
 Material Aluminium - Plastic
 Depth Required \square : 10.5cm
 Special Feature GU10 Lampholder Not Included
 Color Sandy White-Black Chrome / **Code S128**

ACCESSORIES FOR NON ADJUSTABLE SPOTS

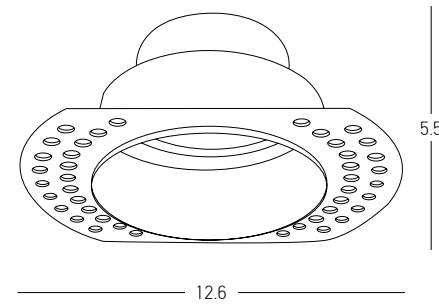


Black Matt Code RFL126-BL Gold Matt Code RFL126-G White Matt Code RFL126-WH Pinhole Code S130 Honeycomb Code HNCMB

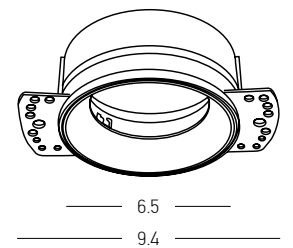
SUGGESTED LAMP-DRIVERS **OSRAM**



COIN 50 G3 go to page 482 Phase Cut Driver Code D-OTE-18 DALI Driver Code 4062172227735 On-Off Driver Code 6977770430235

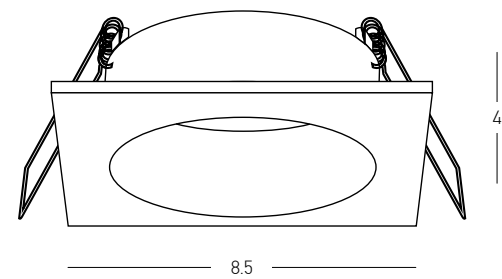


Bulb	1x GU10	IP65
Power	50W MAX	
Input	220-240V, 50/60Hz	
IP	65	
Dimensions	L: 12.6cm W: 9.4cm H: 5.5cm	
Cutting Hole	Ø: 8cm	
Material	Metal - Glass	
Depth Required	∏∏ : 10cm	
Special Feature	GU10 Lampholder Included	
Color	Sandy Black / Code S162	
Color	Sandy White / Code S162-W	



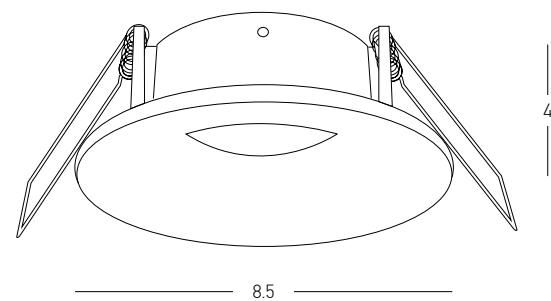
Bulb	1x GU10	IP44
Power	50W MAX	
Input	220-240V, 50/60Hz	
IP	44	
Dimensions	Ø: 6.5cm H: 3cm	
Cutting Hole	Ø: 6.6cm	
Material	Aluminium	
Depth Required	∏∏ : 8.5cm	
Special Feature	GU10 Lampholder Included	
Color	Sandy Black / Code S224	
Color	Sandy White / Code S225	





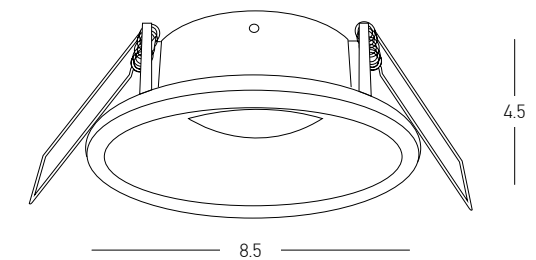
Bulb 1x GU10
 Power 50W MAX
 Input 220-240V, 50/60Hz
 IP 65
 Dimensions L: 8.5cm W: 8.5cm H: 4cm
 Cutting Hole Ø: 6.8cm
 Material Aluminium
 Depth Required JT: 8.3cm
 Special Feature GU10 Lampholder Included
 Color Sandy White / **Code S165**
 Color Sandy Black / **Code S166**

IP65



Bulb 1x GU10
 Power 50W MAX
 Input 220-240V, 50/60Hz
 IP 65
 Dimensions Ø: 8.5cm H: 4cm
 Cutting Hole Ø: 6.8cm
 Material Aluminium
 Depth Required JT: 8.3cm
 Special Feature GU10 Lampholder Included
 Color Sandy White / **Code S167**
 Color Sandy Black / **Code S168**

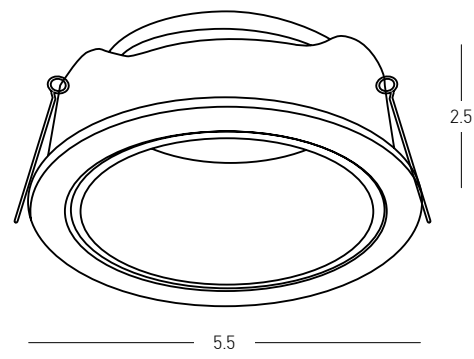
IP65



Bulb 1x GU10
 Power 50W MAX
 Input 220-240V, 50/60Hz
 IP 65
 Dimensions Ø: 8.5cm H: 4.5cm
 Cutting Hole Ø: 7.5cm
 Material Aluminium
 Depth Required JT: 10.5cm
 Special Feature GU10 Lampholder Included
 Color Black Matt / **Code S046**
 Color White Matt / **Code S045**

IP65





Bulb	1x MR11-GU10
Power	35W MAX
Input	220-240V, 50/60Hz
Dimensions	Ø: 5.5cm H: 2.5cm
Cutting Hole	Ø: 5.1cm
Material	Aluminium
Depth Required	∏∏: 6cm
Special Feature	GU10 Lampholder Included
Color	Sandy Black / Code S222
Color	Sandy White / Code S223



SUGGESTED LAMP-DRIVERS **OSRAM**



COIN 35 G3
go to page 483



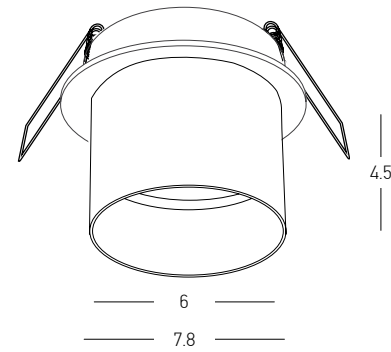
DALI Driver
Code 4062172151252



On-Off Driver
Code D-OT FIT8



Bulb 1x GU10
 Power 50W MAX
 Input 220-240V, 50/60Hz
 Dimensions Ø: 6cm H: 4.5cm
 Cutting Hole Ø: 6.8cm
 Material Aluminium
 Depth Required JTL : 7.5cm
 Special Feature GU10 Lampholder Included
 Color Sandy Black / **Code S228**
 Color Sandy White / **Code S229**



Bulb 1x GU10
 Power 40W MAX
 Input 220-240V, 50/60Hz
 Dimensions Ø: 9.3cm H: 4.6cm
 Cutting Hole Ø: 8.3cm
 Material Aluminium
 Depth Required JTL : 10cm
 Special Feature GU10 Lampholder Included Movable
 Color Sandy White / **Code S148**

Bulb 1x GU10
 Power 40W MAX
 Input 220-240V, 50/60Hz
 Dimensions Ø: 9.3cm H: 4.6cm
 Cutting Hole Ø: 8.3cm
 Material Aluminium
 Depth Required JTL : 10cm
 Special Feature GU10 Lampholder Included Movable
 Color Sandy Black / **Code S149**



Bulb 1x GU10
 Power 50W MAX
 Input 220-240V, 50/60Hz
 Dimensions Ø: 7.7cm H: 3cm
 Cutting Hole Ø: 8.5cm
 Material Aluminium
 Depth Required JTL : 9cm
 Special Feature GU10 Lampholder Included Movable
 Color Sandy White / **Code S227**

Bulb 1x GU10
 Power 50W MAX
 Input 220-240V, 50/60Hz
 Dimensions Ø: 7.7cm H: 3cm
 Cutting Hole Ø: 8.5cm
 Material Aluminium
 Depth Required JTL : 9cm
 Special Feature GU10 Lampholder Included Movable
 Color Sandy Black / **Code S226**

Bulb 1x GU10
 Power 50W MAX
 Input 220-240V, 50/60Hz
 Dimensions Ø: 6cm H: 4cm
 Cutting Hole Ø: 6cm
 Material Aluminium
 Depth Required JTL : 12cm
 Special Feature GU10 Lampholder Included
 Color Black / **Code Z10105 TR-B**

Bulb 1x GU10
 Power 50W MAX
 Input 220-240V, 50/60Hz
 Dimensions Ø: 6cm H: 4cm
 Cutting Hole Ø: 6cm
 Material Aluminium
 Depth Required JTL : 12cm
 Special Feature GU10 Lampholder Included
 Color White / **Code Z10105 TR-W**



Bulb 1x GU10
 Power 40W MAX
 Input 220-240V, 50/60Hz
 Dimensions Ø: 7.4cm H: 5cm
 Cutting Hole Ø: 6.8cm
 Material Aluminium
 Depth Required 11cm
 Special Feature GU10 Lampholder Included Adjustable 30°
 Color Sandy White / **Code S164**

Bulb 1x GU10
 Power 50W MAX
 Input 220-240V, 50/60Hz
 Dimensions Ø: 9cm H: 4cm
 Cutting Hole Ø: 8cm
 Material Aluminium
 Depth Required 10cm
 Special Feature GU10 Lampholder Included Movable
 Color White - Black / **Code S060**

Bulb 1x GU10
 Power 50W MAX
 Input 220-240V, 50/60Hz
 Dimensions L: 8.4cm W: 8.4cm H: 4cm
 Cutting Hole Ø: 7.6cm
 Material Aluminium
 Depth Required 10cm
 Special Feature GU10 Lampholder Included Movable
 Color White - Black / **Code S061**



Bulb 1x GU10
 Power 40W MAX
 Input 220-240V, 50/60Hz
 Dimensions Ø: 8.5cm H: 6.5cm
 Cutting Hole Ø: 7.7cm
 Material Aluminium
 Depth Required 10cm
 Special Feature GU10 Lampholder Included Adjustable 360°
 Color Sandy White / **Code S150**

Bulb 1x GU10
 Power 40W MAX
 Input 220-240V, 50/60Hz
 Dimensions Ø: 7.4cm H: 3.1cm
 Cutting Hole Ø: 7cm
 Material Aluminium
 Depth Required 8.5cm
 Special Feature GU10 Lampholder Included
 Color Sandy White / **Code S163**

Bulb 1x GU10
 Power 50W MAX
 Input 220-240V, 50/60Hz
 Dimensions Ø: 10cm H: 4cm
 Cutting Hole Ø: 9.2cm
 Material Aluminium
 Depth Required 9.5cm
 Special Feature GU10 Lampholder Included Movable
 Color White / **Code S019**

Bulb 1x GU10
 Power 50W MAX
 Input 220-240V, 50/60Hz
 Dimensions Ø: 10cm H: 4cm
 Cutting Hole Ø: 9.2cm
 Material Aluminium
 Depth Required 9.5cm
 Special Feature GU10 Lampholder Included Movable
 Color White - Black / **Code S020**



Bulb 1x GU10
 Power 50W MAX
 Input 220-240V, 50/60Hz
 Dimensions Ø: 8.6cm H: 4cm
 Cutting Hole Ø: 7.5cm
 Material Aluminium
 Depth Required JTL : 9cm
 Special Feature GU10 Lampholder Included Movable
 Color White / **Code S012**



Bulb 1x GU10
 Power 50W MAX
 Input 220-240V, 50/60Hz
 Dimensions Ø: 8.6cm H: 4cm
 Cutting Hole Ø: 7.5cm
 Material Aluminium
 Depth Required JTL : 9cm
 Special Feature GU10 Lampholder Included Movable
 Color Black / **Code S011**



Bulb 1x GU10
 Power 50W MAX
 Input 220-240V, 50/60Hz
 Dimensions Ø: 8.3cm H: 5.5cm
 Cutting Hole Ø: 7.5cm
 Material Aluminium
 Depth Required JTL : 10.5cm
 Special Feature GU10 Lampholder Included
 Color White / **Code S008**



Bulb 1x GU10
 Power 50W MAX
 Input 220-240V, 50/60Hz
 Dimensions Ø: 8.3cm H: 5.5cm
 Cutting Hole Ø: 7.5cm
 Material Aluminium
 Depth Required JTL : 10.5cm
 Special Feature GU10 Lampholder Included
 Color Black / **Code S007**



Bulb 1x GU10
 Power 50W MAX
 Input 220-240V, 50/60Hz
 Dimensions L: 8.8cm W: 8.8cm H: 7.8cm
 Cutting Hole L: 7.5cm W: 7.5cm
 Material Aluminium
 Depth Required JTL : 13.5cm
 Special Feature GU10 Lampholder Included
 Color White / **Code S010**



Bulb 1x GU10
 Power 50W MAX
 Input 220-240V, 50/60Hz
 Dimensions L: 8.8cm W: 8.8cm H: 7.8cm
 Cutting Hole L: 7.5cm W: 7.5cm
 Material Aluminium
 Depth Required JTL : 13.5cm
 Special Feature GU10 Lampholder Included
 Color Black / **Code S009**



Bulb 1x GU10
 Power 50W MAX
 Input 220-240V, 50/60Hz
 Dimensions L: 8.5cm W: 8.5cm H: 2cm
 Cutting Hole Ø: 7.5cm
 Material Aluminium
 Depth Required JTL : 7.5cm
 Special Feature GU10 Lampholder Included Movable
 Color White / **Code S013**



Bulb 1x GU10
 Power 50W MAX
 Input 220-240V, 50/60Hz
 Dimensions L: 8.5cm W: 8.5cm H: 2cm
 Cutting Hole Ø: 7.5cm
 Material Aluminium
 Depth Required JTL : 7.5cm
 Special Feature GU10 Lampholder Included Movable
 Color Black / **Code S014**



17. GYPSUM

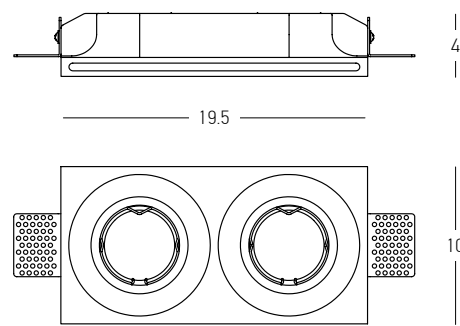
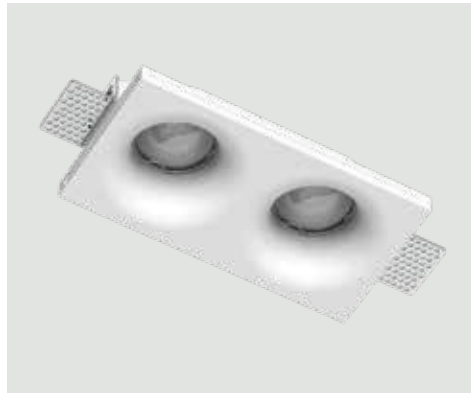


REFERENCE

INSTALLATION

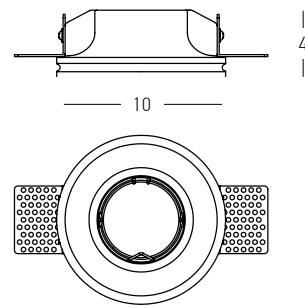
Trimless | Wall





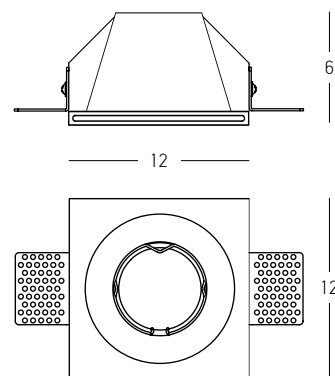
Bulb 2x GU10
 Power 2x 35W MAX
 Input 220-240V, 50/60Hz
 IP 20
 Dimensions L: 19.5cm W: 10cm H: 4cm
 Cutting Hole L: 19.7cm W: 10.2cm
 Material Gypsum
 Depth Required ITL : 10.5cm
 Special Feature GU10 Lampholder Included
 Installation Flanges
 Built-in on the spotlight body

Color Pure White / **Code S231**



Bulb 1x GU10
 Power 35W MAX
 Input 220-240V, 50/60Hz
 IP 20
 Dimensions Ø : 10cm H: 4cm
 Cutting Hole Ø : 10.2cm
 Material Gypsum
 Depth Required ITL : 10.5cm
 Special Feature GU10 Lampholder Included
 Installation Flanges
 Built-in on the spotlight body

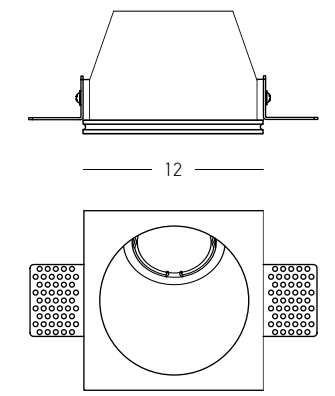
Color Pure White / **Code S230**



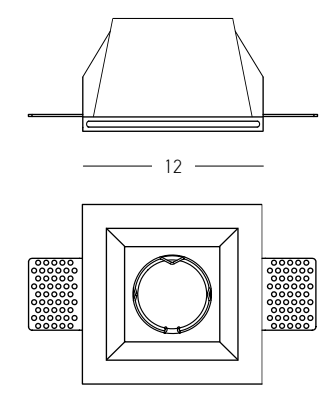
Bulb 1x GU10
 Power 35W MAX
 Input 220-240V, 50/60Hz
 IP 20
 Dimensions L: 12cm W: 12cm H: 6cm
 Cutting Hole L: 12.2cm W: 12.2cm
 Material Gypsum
 Depth Required ITL : 11.5cm
 Special Feature GU10 Lampholder Included
 Installation Flanges
 Built-in on the spotlight body

Color Pure White / **Code S029**

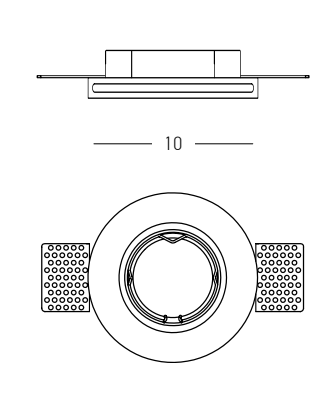




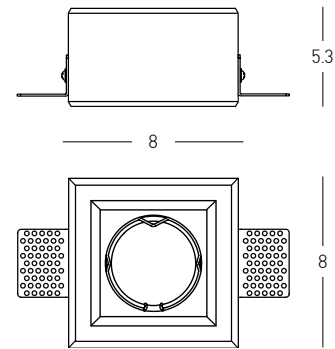
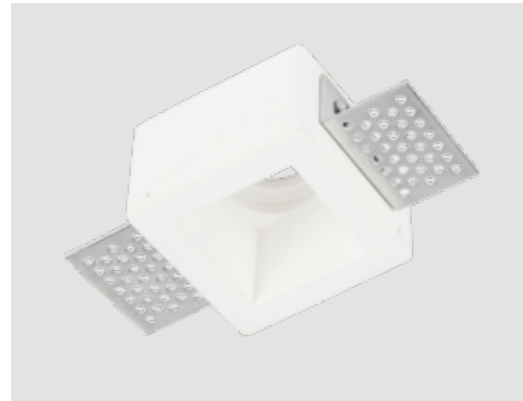
Bulb 1x GU10
 Power 35W MAX
 Input 220-240V, 50/60Hz
 IP 20
 Dimensions L: 12cm W: 12cm H: 7cm
 Cutting Hole L: 12.2cm W: 12.2cm
 Material Gypsum
 Depth Required \perp L: 14cm
 Special Feature GU10 Lampholder Included
 Installation Flanges
 Built-in on the spotlight body
 Color Pure White / **Code S030**



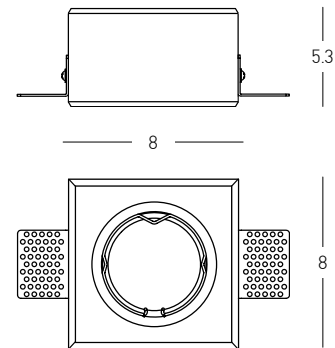
Bulb 1x GU10
 Power 35W MAX
 Input 220-240V, 50/60Hz
 IP 20
 Dimensions L: 12cm W: 12cm H: 6cm
 Cutting Hole L: 12.2cm W: 12.2cm
 Material Gypsum
 Depth Required \perp L: 11.5cm
 Special Feature GU10 Lampholder Included
 Installation Flanges
 Built-in on the spotlight body
 Color Pure White / **Code S025**



Bulb 1x GU10
 Power 35W MAX
 Input 220-240V, 50/60Hz
 IP 20
 Dimensions \varnothing : 10cm H: 3cm
 Cutting Hole \varnothing : 10.3cm
 Material Gypsum
 Depth Required \perp L: 9cm
 Special Feature GU10 Lampholder Included
 Installation Flanges
 Built-in on the spotlight body
 Color Pure White / **Code S027**

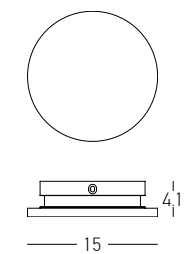
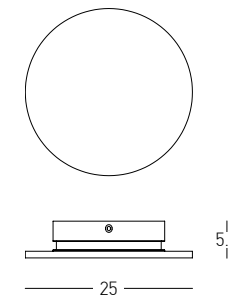


Bulb 1x GU10
 Power 35W MAX
 Input 220-240V, 50/60Hz
 IP 20
 Dimensions L: 8cm W: 8cm H: 5.3cm
 Cutting Hole L: 8.2cm W: 8.2cm
 Material Gypsum
 Depth Required JTL : 12cm
 Special Feature GU10 Lampholder Included
 Square Hole
 Color Pure White / **Code S047**



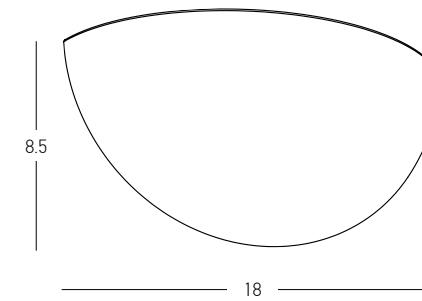
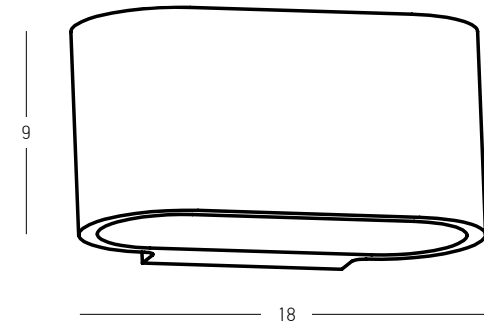
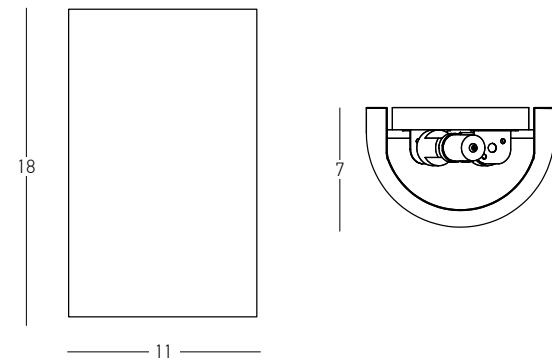
Bulb 1x GU10
 Power 35W MAX
 Input 220-240V, 50/60Hz
 IP 20
 Dimensions L: 8cm W: 8cm H: 5.3cm
 Cutting Hole L: 8.2cm W: 8.2cm
 Material Gypsum
 Depth Required JTL : 12cm
 Special Feature GU10 Lampholder Included
 Round Hole
 Color Pure White / **Code S048**





Power 9.2W
 Input 220-240V, 50/60Hz
 Color Temperature 3000K
 Lumen 460Lm
 Cri 80
 IP 20
 Dimensions Ø: 25cm L: 5.5cm
 Material Gypsum
 Color Pure White / **Code 20272**

Power 7.5W
 Input 220-240V, 50/60Hz
 Color Temperature 3000K
 Lumen 375Lm
 Cri 80
 IP 20
 Dimensions Ø: 15cm L: 4.1cm
 Material Gypsum
 Color Pure White / **Code 20271**

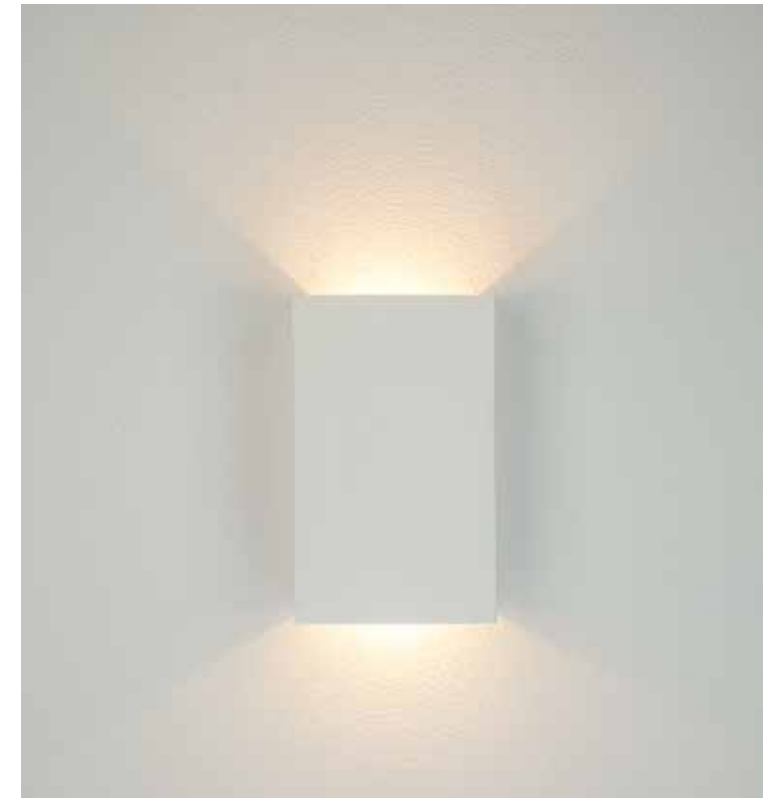
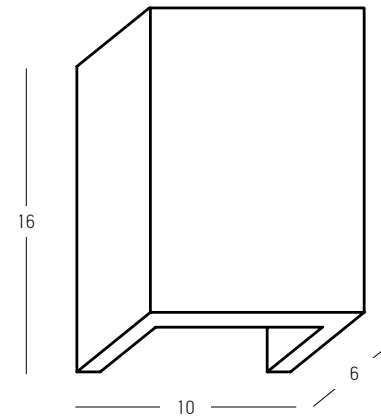
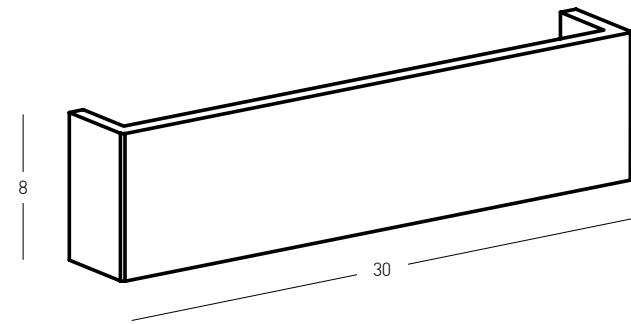


Power	6W
Input	220-240V, 50/60Hz
Color Temperature	3000K, 4000K
Lumen	536Lm, 597Lm
Cri	80
IP	20
Dimensions	L: 8cm W: 18cm H: 8.5cm
Non Dimmable	<input checked="" type="checkbox"/>
Material	Gypsum
Color	Pure White / Code 25381

Bulb	2x G9
Power	25W MAX
Input	220-240V, 50/60Hz
IP	20
Dimensions	L: 7cm W: 11cm H: 18cm
Material	Gypsum
Special Feature	Up-Down Lighting
Color	Pure White / Code 25383

Bulb	1x G9
Power	25W MAX
Input	220-240V, 50/60Hz
IP	20
Dimensions	L: 10cm W: 18cm H: 9cm
Material	Gypsum
Special Feature	Up-Down Lighting
Color	Pure White / Code 25382

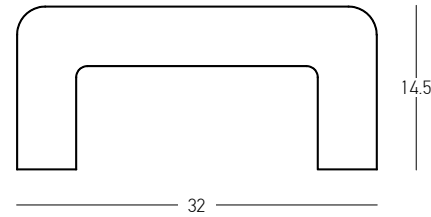




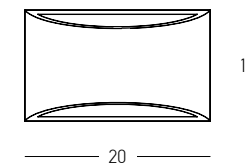
Power 8.25W
 Input 220-240V, 50/60Hz
 Color Temperature 3000K
 Lumen 625Lm
 Cri 80
 IP 20
 Dimensions L: 4.5cm W: 30cm H: 8cm
 Non Dimmable
 Material Gypsum
 Special Feature Up-Down Lighting
 Color Pure White / **Code 25380**



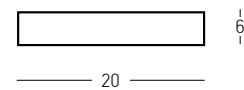
Power 5W
 Input 220-240V, 50/60Hz
 Color Temperature 3000K
 Lumen 510Lm
 Cri 80
 IP 20
 Dimensions L: 6cm W: 10cm H: 16cm
 Non Dimmable
 Material Gypsum
 Special Feature Up-Down Lighting
 Color Pure White / **Code 25379**



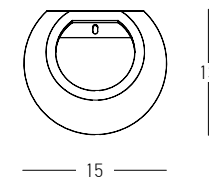
Bulb 1x G9
 Power 25W MAX
 Input 220-240V, 50/60Hz
 IP 20
 Dimensions L: 14.5cm W: 32cm H: 5.5cm
 Material Gypsum
 Special Feature Up-Down Lighting
 Color Pure White / **Code 180026**



Bulb 1x G9
 Power 25W MAX
 Input 220-240V, 50/60Hz
 IP 20
 Dimensions L: 8.5cm W: 20cm H: 12cm
 Material Gypsum
 Special Feature Up-Down Lighting
 Color Pure White / **Code 180025**



Bulb 1x G9
 Power 25W MAX
 Input 220-240V, 50/60Hz
 IP 20
 Dimensions L: 10cm W: 20cm H: 6cm
 Material Gypsum
 Special Feature Up Lighting
 Color Pure White / **Code 180027**



Bulb 1x G9
 Power 25W MAX
 Input 220-240V, 50/60Hz
 IP 20
 Dimensions L: 13cm W: 15cm H: 13cm
 Material Gypsum
 Special Feature Up-Down Lighting
 Color Pure White / **Code 180028**



18. CEILING SPOTS



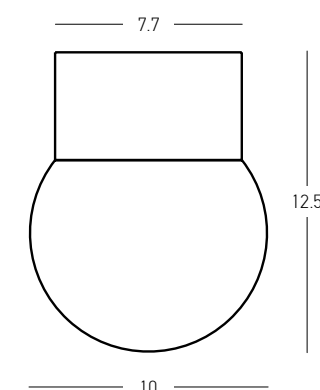
SPOT REFERENCE

INSTALLATION

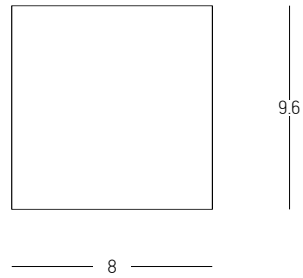
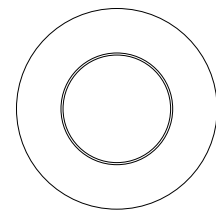
Ceiling



Dimming On-Off, Dali, Triac
CCT 2700K-4000K
IP Rating 20-54



Power 6W
 Input 220-240V, 50/60Hz
 Color Temperature 3000K
 Lumen 543Lm
 Cri 80
 IP 20
 UGR <18
 Dimensions Ø: 10cm H: 12.5cm
 Base Ø: 7.7cm H: 4.5cm
 Non Dimmable ☒
 Material Aluminium - Glass - Acrylic
 Color Sandy Black / **Code 25306**
 Color Sandy White / **Code 25307**
 Color Gold Matt / **Code 25308**



Power 10W
 Input 36V / 250mA
 Color Temperature 3000K
 Lumen 720Lm
 Cri 90
 IP 20
 UGR <19
 Dimensions Ø: 8cm H: 9.6cm
 Beam Angle 100°
 Material Aluminium- Acrylic
 Suggested On-Off Driver D-KE-10 (fits in the light)
 Suggested DALI Driver D-EG-10 (remote application)
 Color Sandy White / **Code S214**
 Color Sandy Black / **Code S215**



CODE	mA	Watt	V
D-KE-10	250	10	27-40

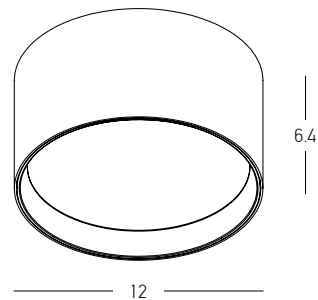


CODE	mA	Watt	V
D-EG-10	250	12	9-42



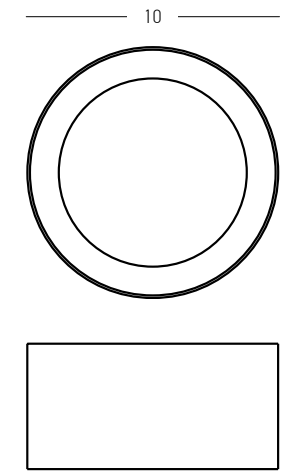


IP44



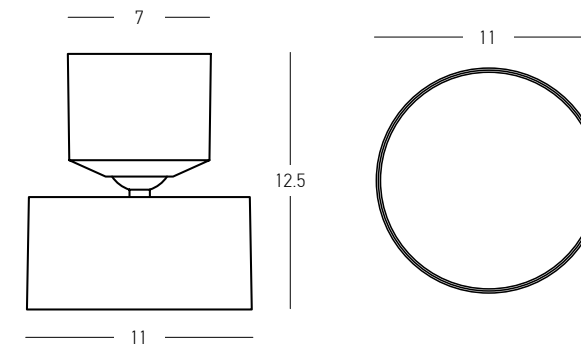
Power	12W
Input	220-240V, 50/60Hz
Color Temperature	2700K 3200K 4000K
Lumen	830Lm 865Lm 905Lm
Cri	90
IP	44
UGR	<19
Dimensions	Ø: 12cm H: 6.4cm
Beam Angle	100°
DALI Dimmable	☉
Material	Aluminium - Microprismatic Diffuser
Special Feature	Anti-Glare Design
Color	Gold / Code 25215
Color	Sandy Black / Code 25216





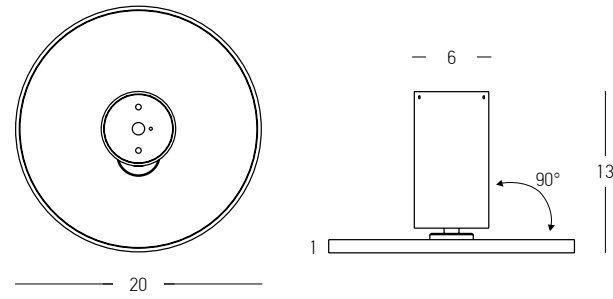
Power	7W
Input	220-240V, 50/60Hz
Color Temperature	3000K
Lumen	430Lm
Cri	80
IP	20
UGR	<22
Dimensions	Ø: 10cm H: 5cm
Beam Angle	120°
Non Dimmable	☒
Material	Aluminium - PC Diffuser
Driver On-Off	Included (200mA)
Color	Sandy Black / Code 25309
Color	Sandy White / Code 25310
Color	Gold Matt / Code 25311





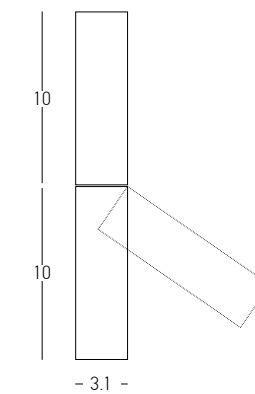
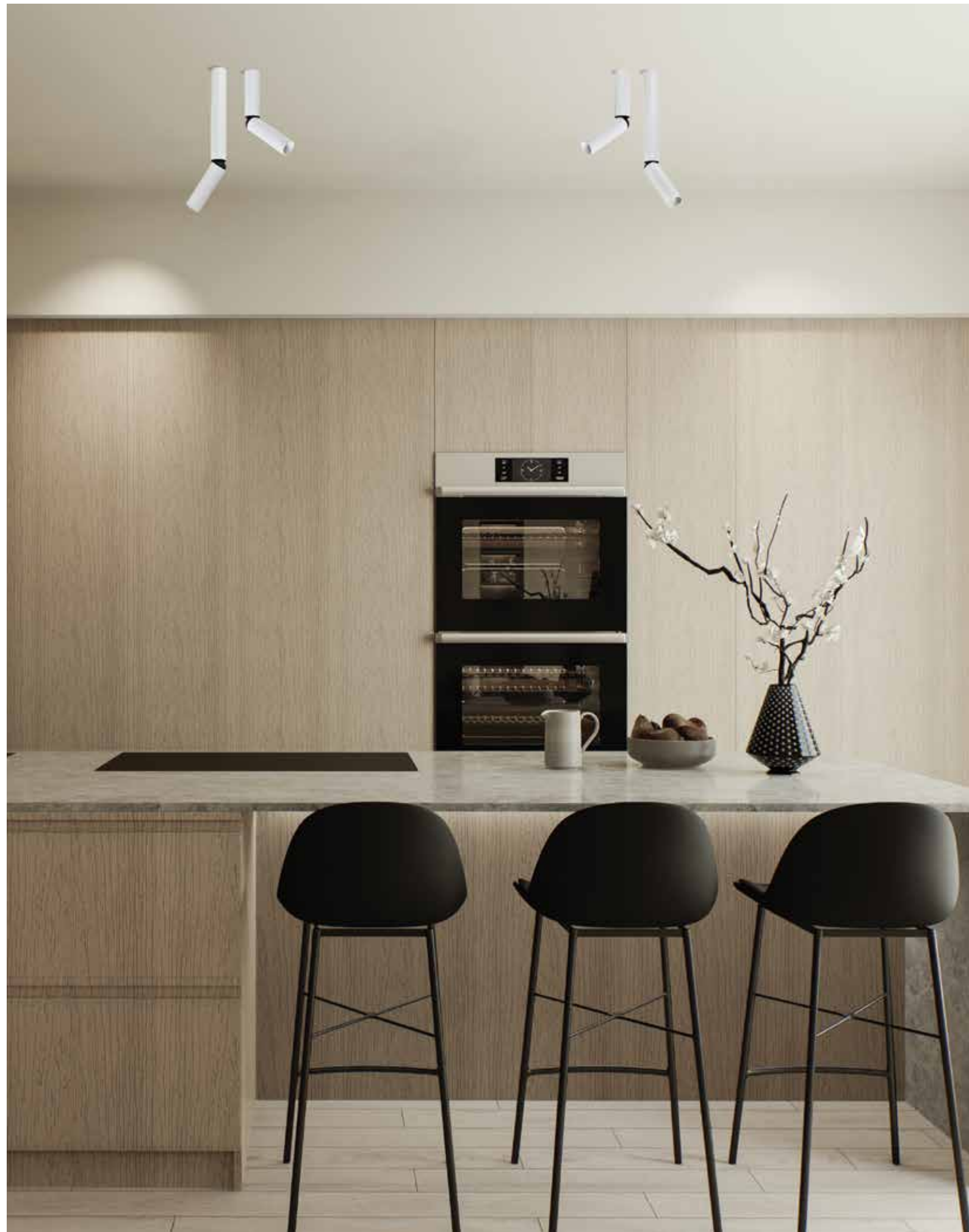
Power	10W
Input	220-240V, 50/60Hz
Color Temperature	3000K
Lumen	798Lm
Cri	80
IP	20
UGR	<24
Dimensions	Ø: 11cm H: 12.5cm
Base	Ø: 7cm H: 5cm
Beam Angle	120°
Non Dimmable	☒
Material	Aluminium - Acrylic
Special Feature	30° 359° Movable
Color	Sandy Black / Code 25312
Color	Sandy White / Code 25313
Color	Gold Matt / Code 25314



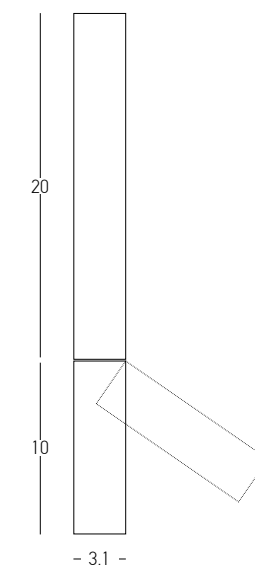


Power	12W
Input	220-240V, 50/60Hz
Color Temperature	3000K
Lumen	950Lm
Cri	80
IP	20
UGR	<26
Dimensions	Ø: 20cm H: 13cm
Base	Ø: 6cm H: 11cm
Beam Angle	120°
Non Dimmable	<input checked="" type="checkbox"/>
Material	Aluminium - PC Diffuser
Special Feature	Movable
Color	Sandy Black / Code 25304
Color	Gold Matt / Code 25305





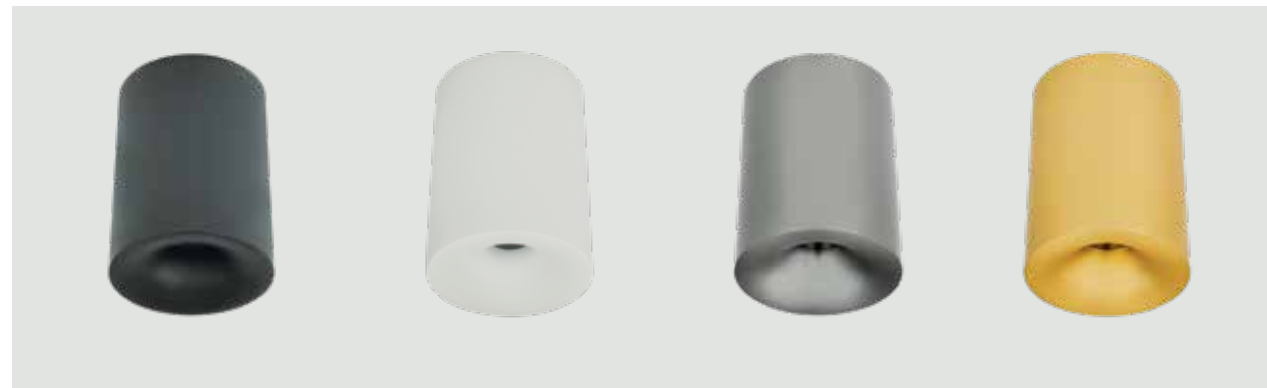
Power 5W
 Input 220-240V, 50/60Hz
 Color Temperature 3000K
 Lumen 380Lm
 Cri 90
 IP 20
 UGR <17
 Dimensions Ø: 3.1cm H: 20cm
 Beam Angle 24°
 Material Aluminium- Acrylic
 Driver On-Off Included (200mA)
 Suggested DALI Driver EG-5-D (remote application)
 Special Feature Rotatable-Tilt Up Down
 Color Sandy White / **Code S216**
 Sandy Black / **Code S217**



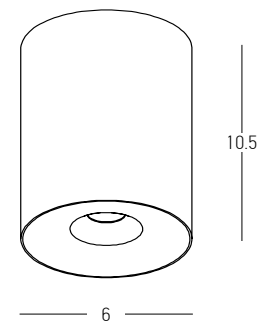
Power 5W
 Input 220-240V, 50/60Hz
 Color Temperature 3000K
 Lumen 380Lm
 Cri 90
 IP 20
 UGR <17
 Dimensions Ø: 3.1cm H: 30cm
 Beam Angle 24°
 Material Aluminium- Acrylic
 Driver On-Off Included (200mA)
 Suggested DALI Driver EG-5-D (remote application)
 Special Feature Rotatable-Tilt Up Down
 Color Sandy White / **Code S218**
 Sandy Black / **Code S219**



CODE	mA	Watt	V
EG-5-D	120	5	9-42

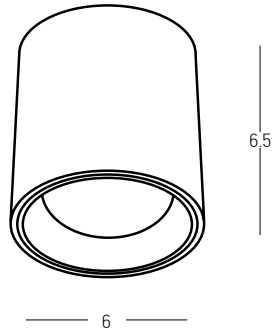


Power 10W
 Input 220-240V, 50/60Hz
 Color Temperature 3000K
 Lumen 600Lm
 Cri 90
 IP 54
 UGR <15
 Dimensions Ø: 6cm H: 10.5cm
 Beam Angle 36°
 Non Dimmable
 Material Aluminium



Color Sandy Black / **Code 25295**
 Color Sandy White / **Code 25296**
 Color Silver Matt / **Code 25297**
 Color Brass Matt / **Code 25298**





Power 7W
 Input 220-240V, 50/60Hz
 Color Temperature 3000K
 Lumen 500Lm
 Cri 80
 IP 20
 UGR <18
 Dimensions Ø: 6cm H: 6.5cm
 Beam Angle 35°
 Dimmable Triac
 Material Aluminium
 Color White Matt / Code Z12107K-W
 Color Black Matt / Code Z12107K-B

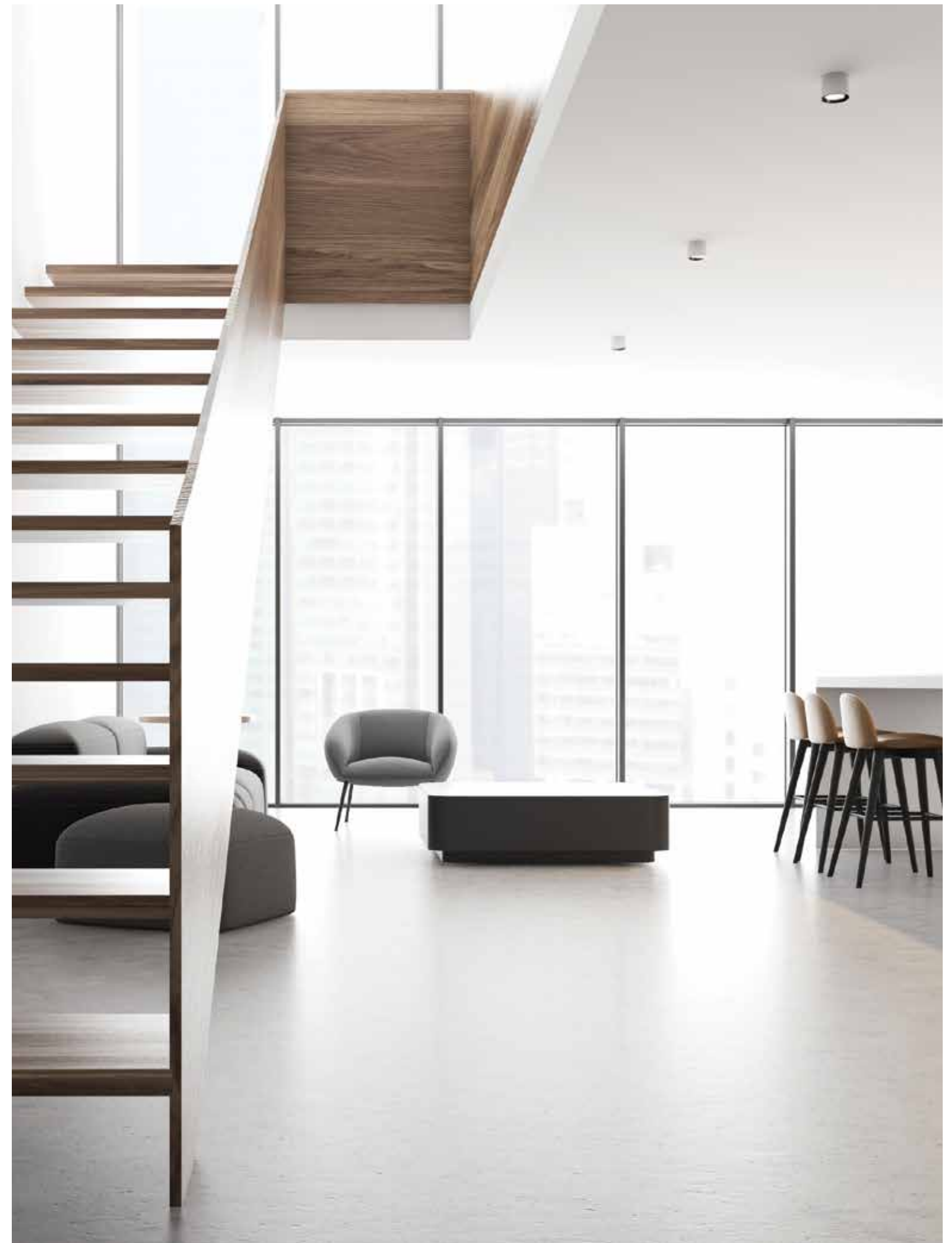
*Ring not included Black / Code Z050106-B
 *Ring not included Brass / Code Z050106-BR

*Must be ordered seperately



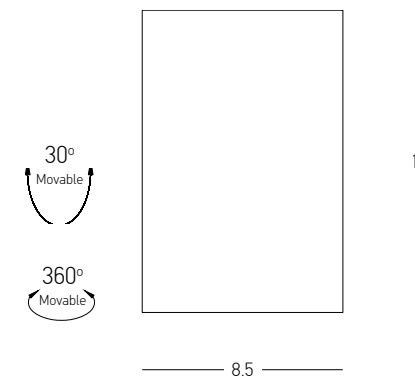
Brass Ring for Z12107K-W, Z12107K-B
 Material Plastic
 Code Z050106-BR

Black Ring for Z12107K-W, Z12107K-B
 Material Plastic
 Code Z050106-B



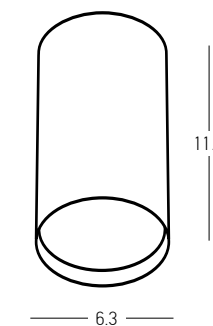


IP44



Power 10W
 Input 220-240V, 50/60Hz
 Color Temperature 3000K
 Lumen 720Lm
 Cri 90
 IP 44
 UGR <15
 Dimensions Ø: 8.5cm H: 13cm
 Beam Angle 38°
 Non Dimmable
 Material Aluminium
 Special Feature Movable Spot
 Spot Ø: 4.5cm

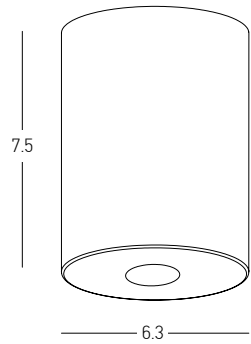
Color Sandy White / Code S179
 Color Sandy Black / Code S180



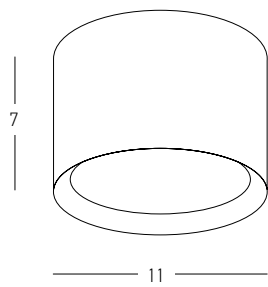
Bulb 1x GU10
 Power 40W MAX
 Dimensions Ø: 6.3cm H: 11.4cm
 Material Aluminium
 Special Feature GU10 Lampholder Included
 Color Black Matt / Code S001
 Color White Matt / Code S002



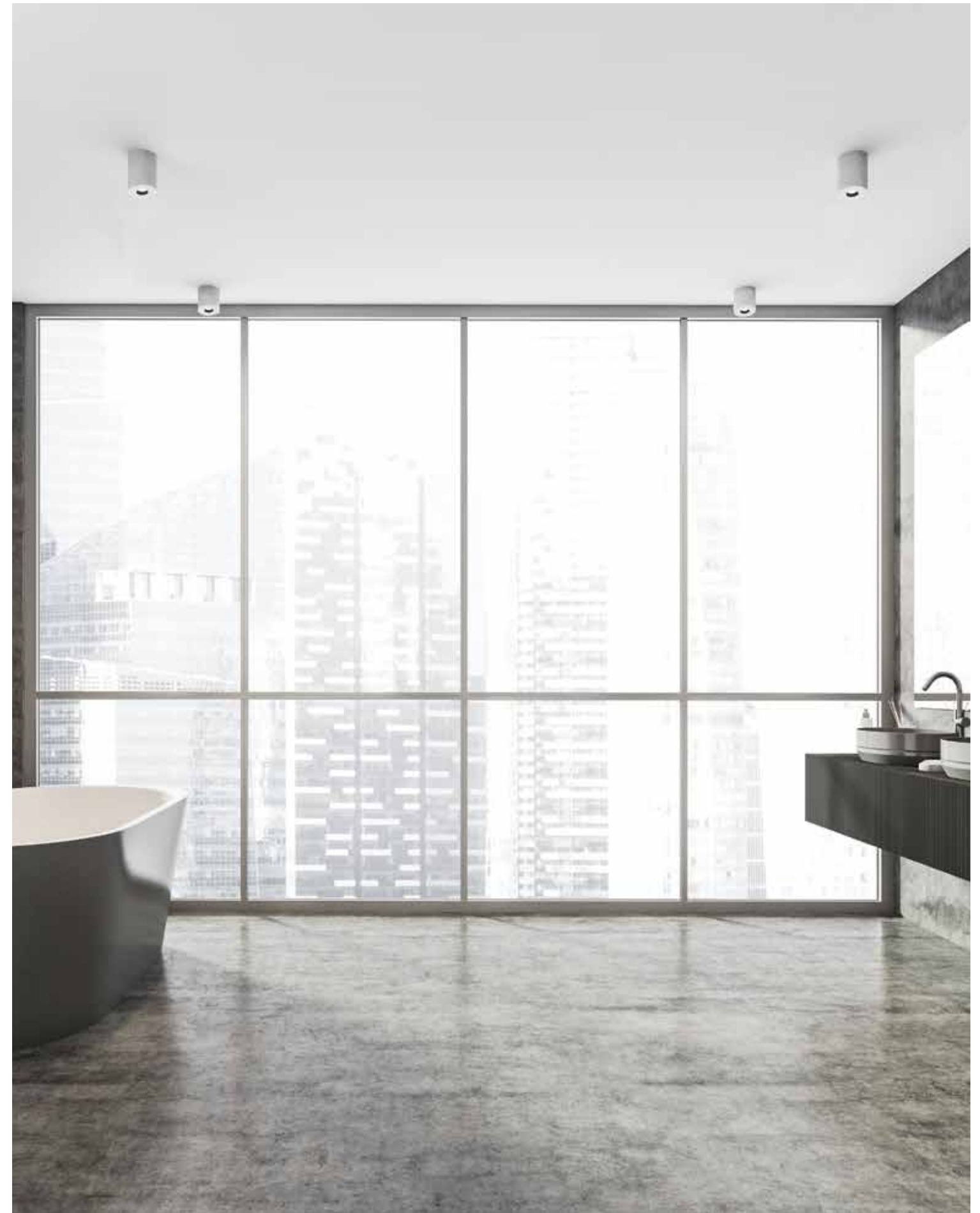
IP54

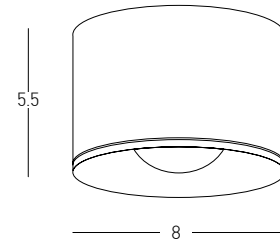


Power 7W
 Input 220-240V, 50/60Hz
 Color Temperature 3000K
 Lumen 560Lm
 Cri 90
 IP 54
 UGR <18
 Dimensions Ø: 6.3cm H: 7.5cm
 Beam Angle 20°
 Non Dimmable
 Material Aluminium - Glass
 Special Feature Included LED Driver
 Color Sandy Black / **Code S112**
 Color Sandy White / **Code S113**

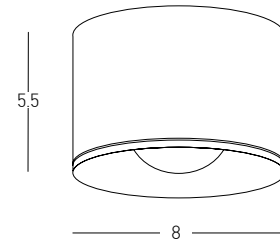


Power 8W
 Input 220-240V, 50/60Hz
 Color Temperature 3000K
 Lumen 454Lm
 Cri 80
 IP 20
 UGR <26
 Dimensions Ø: 11cm H: 7cm
 Beam Angle 100°
 Non Dimmable
 Material Aluminium - Acrylic
 Color Sandy White / **Code 22133**
 Color Sandy Black / **Code 22134**

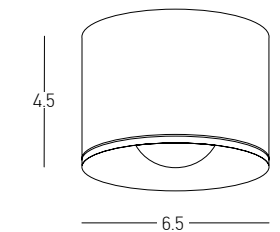




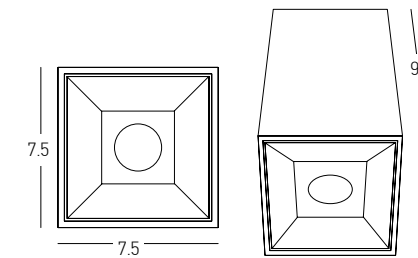
Power 12W
 Input 220-240V, 50/60Hz
 Color Temperature 3000K
 Lumen 561Lm
 Cri 80
 IP 54
 UGR <16
 Dimensions Ø: 8cm H: 5.5cm
 Beam Angle 120°
 Non Dimmable ☒
 Material Aluminium
 Color Sandy Black / **Code S131**
 Color Sandy White / **Code S132**



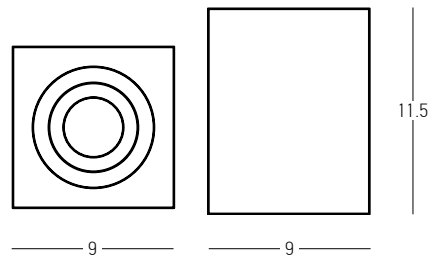
Power 12W
 Input 220-240V, 50/60Hz
 Color Temperature 4000K
 Lumen 593Lm
 Cri 80
 IP 54
 UGR <16
 Dimensions Ø: 8cm H: 5.5cm
 Beam Angle 120°
 Non Dimmable ☒
 Material Aluminium
 Color Sandy Black / **Code S131-4K**
 Color Sandy White / **Code S132-4K**



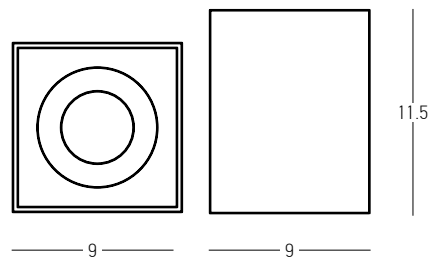
Power 8W
 Input 220-240V, 50/60Hz
 Color Temperature 3000K
 Lumen 454Lm
 Cri 80
 IP 54
 UGR <16
 Dimensions Ø: 6.5cm H: 4.5cm
 Beam Angle 120°
 Non Dimmable ☒
 Material Aluminium
 Color Sandy Black / **Code S133**
 Color Sandy White / **Code S134**



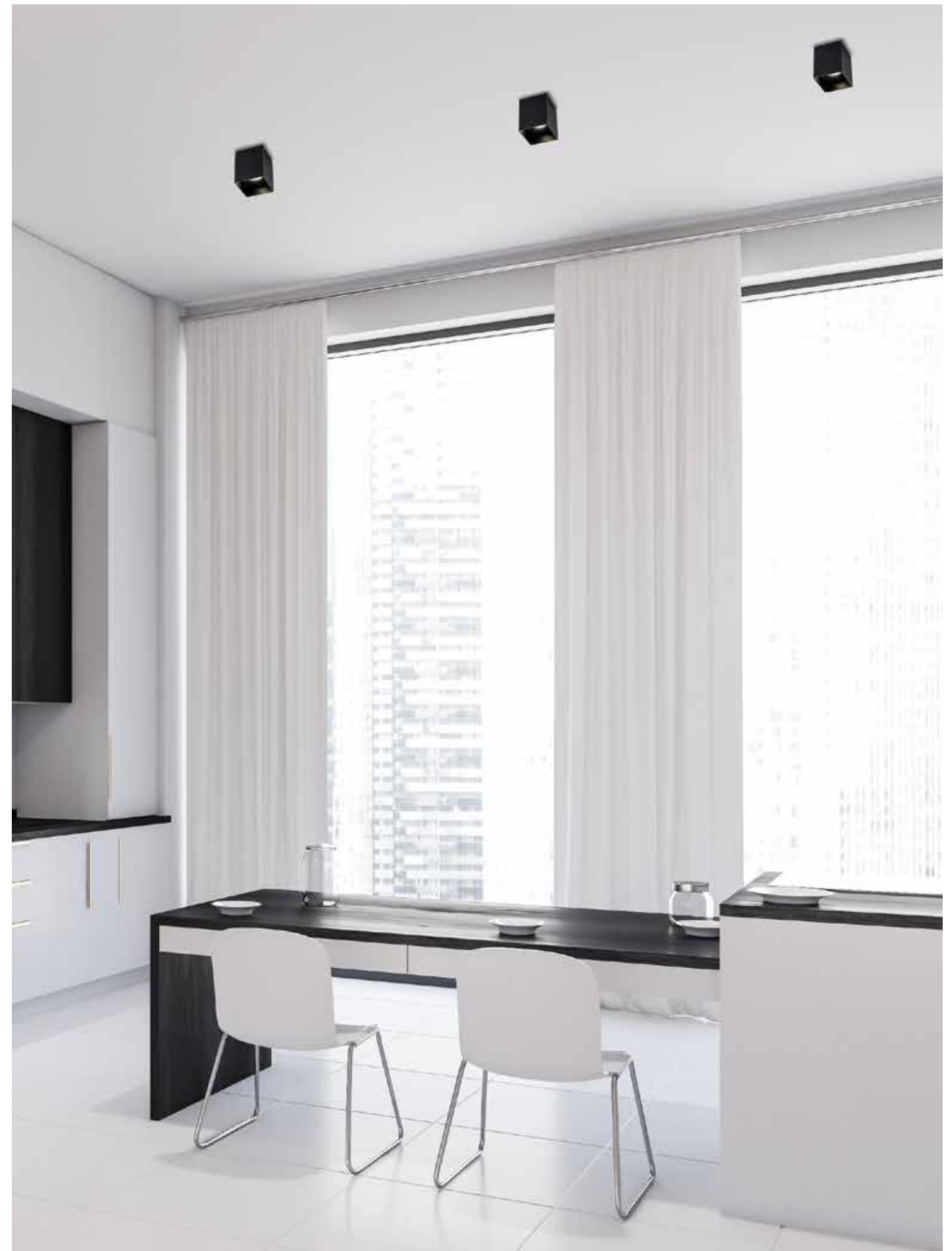
Power 10W
 Input 220-240V, 50/60Hz
 Color Temperature 3000K
 Lumen 733Lm
 Cri 80
 IP 20
 UGR <18
 Dimensions L: 7.5cm W: 7.5cm H: 9.5cm
 Beam Angle 32°
 Non Dimmable ☒
 Material Aluminium - Glass
 Special Feature Included LED Driver
 Color White - Black Reflector / **Code S068**
 Color Black - Black Reflector / **Code S069**



Bulb 1x GU10
 Power 40W MAX
 Dimensions L: 9cm W: 9cm H: 11.5cm
 Material Aluminium
 Special Feature GU10 Lampholder Included
 Color White Matt / **Code S039**
 Black Matt / **Code S040**

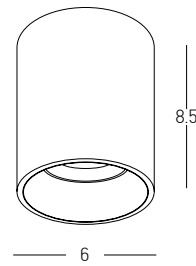


Bulb 1x GU10
 Power 40W MAX
 Dimensions L: 9cm W: 9cm H: 11.5cm
 Material Aluminium
 Special Feature GU10 Lampholder Included
 Color Sandy White / **Code S151**
 Sandy Black / **Code S152**



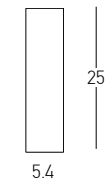


Bulb 1x GU10
 Power 40W MAX
 Input 220-240V, 50/60Hz
 Dimensions Ø: 6cm H: 8.5cm
 Material Aluminium
 Special Feature GU10 Lampholder Included
 Color Sandy White / **Code S153**
 Color Sandy Black / **Code S154**
 Color Brushed Gold-Black Ring / **Code S155**



Brushed Gold Ring for S153, S154, S155
 Material Aluminium
Code RFL G 154

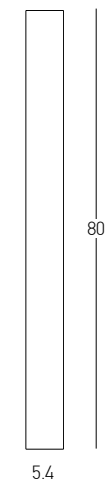




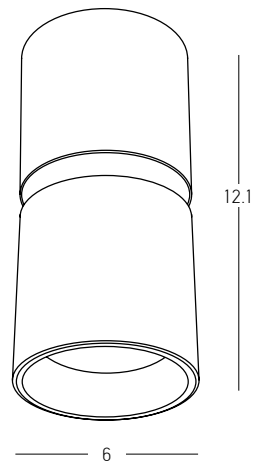
Bulb 1x GU10 LED
 Power 7W MAX
 Input 220-240V, 50/60Hz
 Dimensions Ø: 5.4cm H: 25cm
 Material Aluminium
 Color Sandy White / **Code 23220**
 Color Sandy Black / **Code 23221**
 Color Brushed Brass / **Code 23222**



Bulb 1x GU10 LED
 Power 7W MAX
 Input 220-240V, 50/60Hz
 Dimensions Ø: 5.4cm H: 40cm
 Material Aluminium
 Color Sandy White / **Code 23223**
 Color Sandy Black / **Code 23224**



Bulb 1x GU10 LED
 Power 7W MAX
 Input 220-240V, 50/60Hz
 Dimensions Ø: 5.4cm H: 80cm
 Material Aluminium
 Color Sandy White / **Code 23225**
 Color Sandy Black / **Code 23226**

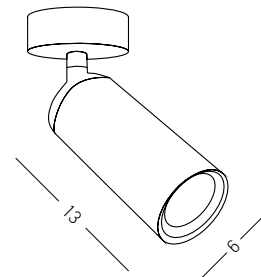


Bulb	1x GU10
Power	40W MAX
Input	220-240V, 50/60Hz
Dimensions	Ø: 6cm H: 12.1cm
Material	Aluminium
Special Feature	GU10 Lampholder Included
Color	Sandy White / Code S159
Color	Sandy Black / Code S160
Color	Sandy White - Gold Matt / Code S161





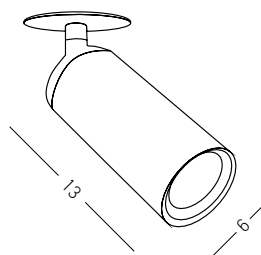
Bulb 1x GU10
 Power 35W MAX
 Dimensions Ø: 6cm H: 20cm
 Cylinder Ø: 6cm H: 13cm
 Base Ø: 6cm H: 3cm
 Material Aluminium
 Color Black Matt / **Code S055**
 Color White Matt / **Code S054**



OSRAM
 Power 9W
 Input 220-240V, 50/60Hz
 Color Temperature 3000K
 Lumen 1000Lm
 Cri 90
 Dimensions Ø: 6cm H: 20cm
 Cylinder Ø: 6cm H: 13cm
 Base Ø: 6cm H: 3cm
 Beam Angle 15° / 24° / 40°
 Non Dimmable ☒
 Material Aluminium
 Driver On-Off Included (250mA)
 Suggested DALI Driver FLS12D for 1 Fixture (remote application)
 Color Black Matt / **Code S055-15**
 Color Black Matt / **Code S055-24**
 Color Black Matt / **Code S055-40**
 Color White Matt / **Code S054-15**
 Color White Matt / **Code S054-24**
 Color White Matt / **Code S054-40**

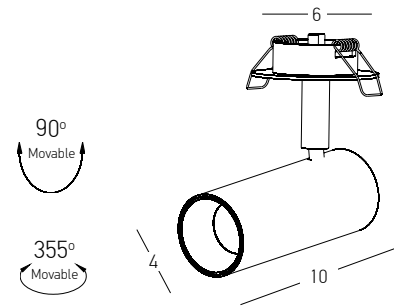


Bulb 1x GU10
 Power 35W MAX
 Dimensions Ø: 6cm H: 17cm
 Cylinder Ø: 6cm H: 13cm
 Base Ø: 6cm
 Cutting Hole Ø: 5cm
 Material Aluminium
 Color Black Matt / **Code S057**
 Color White Matt / **Code S056**

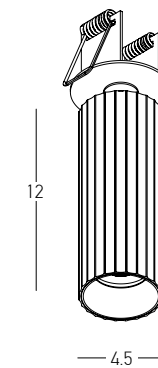


OSRAM
 Power 9W
 Input 220-240V, 50/60Hz
 Color Temperature 3000K
 Lumen 1000Lm
 Cri 90
 Dimensions Ø: 6cm H: 17cm
 Cylinder Ø: 6cm H: 13cm
 Base Ø: 6cm
 Beam Angle 15° / 24° / 40°
 Non Dimmable ☒
 Cutting Hole Ø: 5cm
 Material Aluminium
 Driver On-Off Included (250mA)
 Suggested DALI Driver FLS12D for 1 Fixture (pass from the hole)
 Color Black Matt / **Code S057-15**
 Color Black Matt / **Code S057-24**
 Color Black Matt / **Code S057-40**
 Color White Matt / **Code S056-15**
 Color White Matt / **Code S056-24**
 Color White Matt / **Code S056-40**

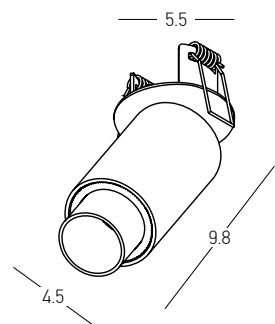




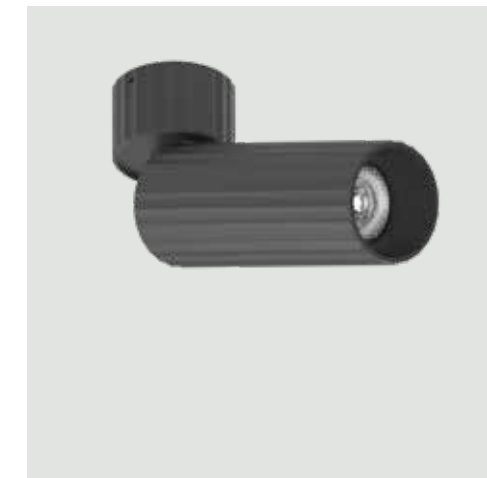
Power 1x 7W
 Input 20V / 350mA
 Color Temperature 3000K
 Lumen 660Lm
 Cri 90
 IP 20
 UGR <15
 Dimensions Ø: 4cm H: 10cm
 Beam Angle 36°
 Cutting Hole Ø: 4.5cm
 Base Ø: 6cm
 Material Aluminium
 Suggested On-Off Driver KGP7 for 1 Fixture (pass from the hole)
 Suggested DALI Driver 4062172151252 for 1 Fixture (pass from the hole)
 Color Sandy White / **Code 180015**
 Color Sandy Black / **Code 180017**



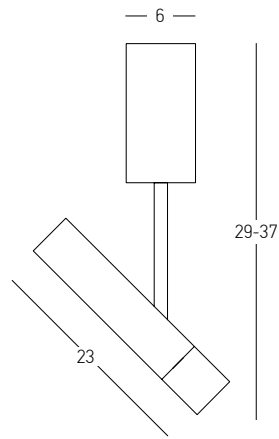
Power 7W
 Input 220-240V, 50/60Hz
 Color Temperature 3000K
 Lumen 580Lm
 Cri 90
 IP 20
 UGR <15
 Dimensions Ø: 4.5cm H: 12cm
 Base Ø: 5.5cm
 Beam Angle 36°
 Non Dimmable ☒
 Cutting Hole Ø: 4cm
 Material Aluminium
 Driver On-Off Included (200mA)
 Color Brushed Brass / **Code S117**
 Color White Matt / **Code S118**
 Color Black Matt / **Code S119**



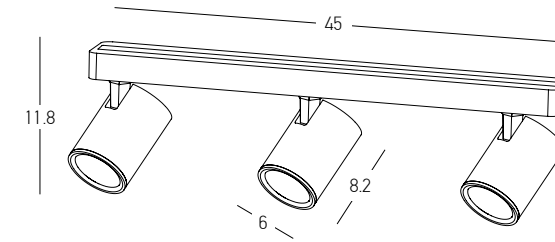
Power 8W
 Input 220-240V, 50/60Hz
 Color Temperature 3000K
 Lumen 700Lm
 Cri 80
 IP 20
 UGR <12
 Dimensions Ø: 4.5cm H: 9.8cm
 Beam Angle 15-30° Adjustable
 Non Dimmable ☒
 Cutting Hole Ø: 5cm
 Base Ø: 5.5cm
 Material Aluminium
 Driver On-Off Included (350mA) (pass from the hole)
 Suggested DALI Driver 4062172151252 for 1 Fixture (pass from the hole)
 Special Feature Zoomable Spot
 Color Sandy White - Black / **Code 1928**
 Color Sandy Black / **Code 1928-B**



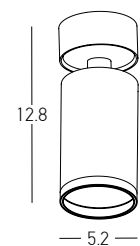
Power 7W
 Input 220-240V, 50/60Hz
 Color Temperature 3000K
 Lumen 580Lm
 Cri 90
 IP 20
 UGR <15
 Dimensions Ø: 4.5cm H: 15cm
 Base Ø: 4.5cm H: 3cm
 Beam Angle 36°
 Non Dimmable ☒
 Material Aluminium
 Driver On-Off Included (200mA)
 Color Brushed Brass / **Code S120**
 Color White Matt / **Code S121**
 Color Black Matt / **Code S122**



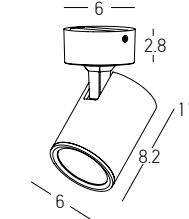
Power 4W
 Input 220-240V, 50/60Hz
 Color Temperature 3000K
 Lumen 328Lm
 Cri 80
 IP 20
 UGR <15
 Dimensions L: 23cm W: 6cm H: 29-37cm
 Base Ø: 6cm H: 12cm
 Spot Dimensions Ø: 4cm L: 23cm
 Beam Angle 40°
 Non Dimmable ☒
 Material Metal - Aluminium
 Special Feature Tilt Up Down
 Color Sandy Black-Gold / **Code 22028**



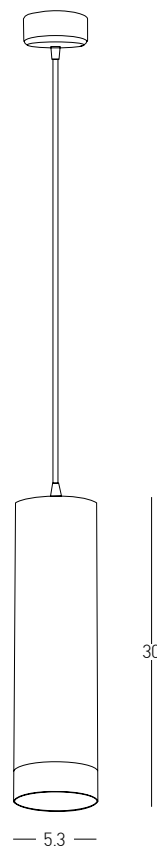
Bulb 3x GU10
 Power 35W MAX
 Input 220-240V, 50/60Hz
 Dimensions L: 45cm W: 6cm H: 11.8cm
 Base L: 45cm W: 6cm H: 3cm
 Material Metal - Aluminium
 Special Feature Cylinder Ø: 6cm L: 8.2cm
 Special Feature Tilt Up Down
 Color Black Matt-Brushed Brass / **Code S107**
 Color Black Matt / **Code S106**



Bulb 1x GU10
 Power 40W MAX
 Input 220-240V, 50/60Hz
 Dimensions Ø: 5.2cm H: 12.8cm
 Spot Ø: 5.2cm H: 9.3cm
 Base Ø: 5.2cm H: 3cm
 Material Aluminium
 Special Feature Tilt Up Down
 Color White Sandy / **Code S123**
 Color Black Sandy / **Code S124**



Bulb 1x GU10
 Power 35W MAX
 Input 220-240V, 50/60Hz
 Dimensions Ø: 6cm H: 11.8cm
 Base Ø: 6cm H: 2.8cm
 Material Metal - Aluminium
 Special Feature Cylinder Ø: 6cm L: 8.2cm
 Special Feature Tilt Up Down
 Color Black Matt / **Code S104**



Bulb 1x GU10
 Power 15W MAX
 Input 220-240V, 50/60Hz
 Dimensions Ø: 5.3cm H: 30cm
 Base Ø: 6.4cm H: 3cm
 Material Aluminium
 Special Feature 150cm Cable Adjustable
 GU10 Lampholder Included
 Color Sandy White / **Code S156**
 Color Sandy Black / **Code S157**
 Color Brushed Gold-Black Ring / **Code S158**



Sandy Black Ring
 Material Aluminium
Code RFL B 158



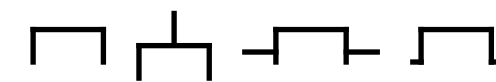
19. ALUMINIUM PROFILES & LED STRIPS



REFERENCE

INSTALLATION

Surface | Pendant | Trimless | Recessed



Dimming

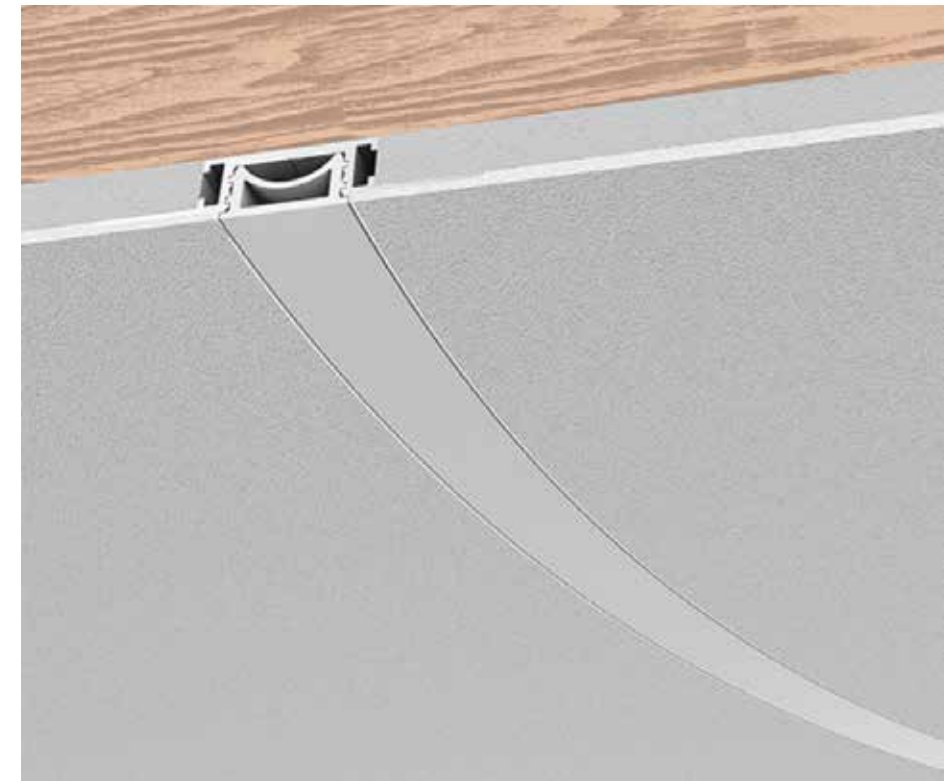
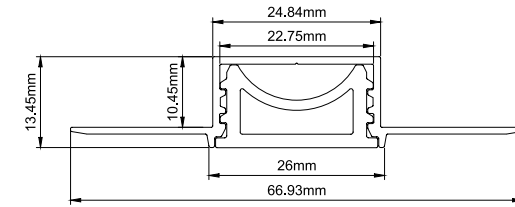
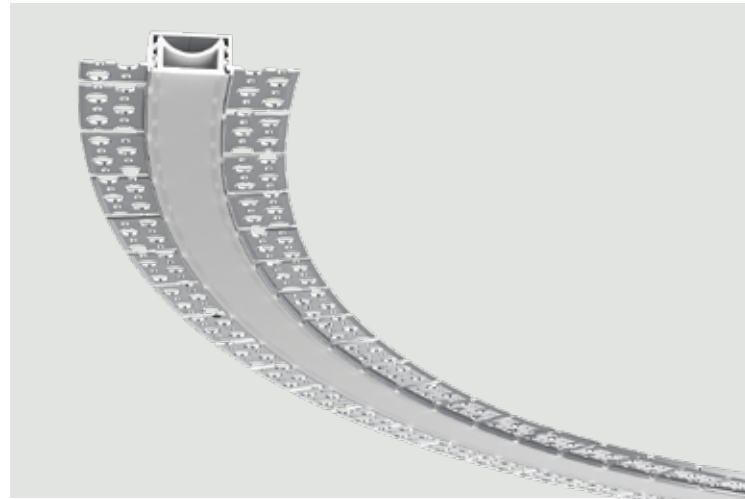
DALI, BLUE TOOTH, PHASE CUT, 1-10,

PUSH BUTTON, DMX

CCT 2700K-6500K, RGB, RGBW

IP Rating 20-67

TOP & SIDE BEND TRIMLESS ALUMINIUM PROFILE

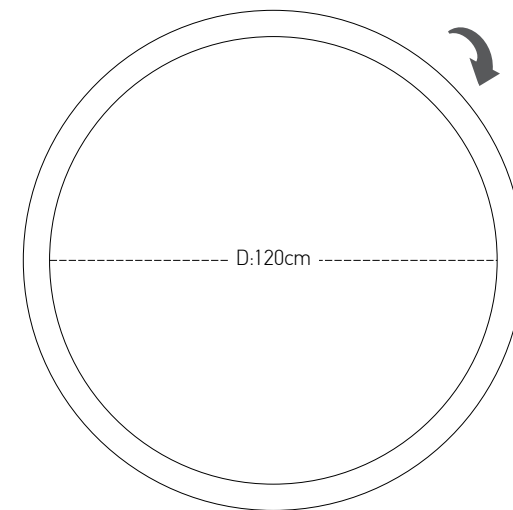


Profile Set

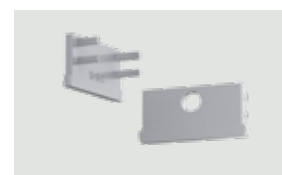
- 20329 2m Aluminium Profile + 2m Silicone Tube Diffuser
- 20329-E 2pcs End Caps



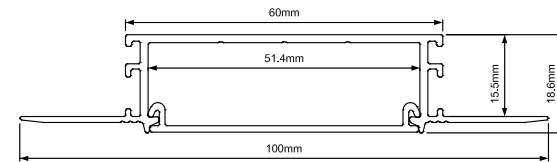
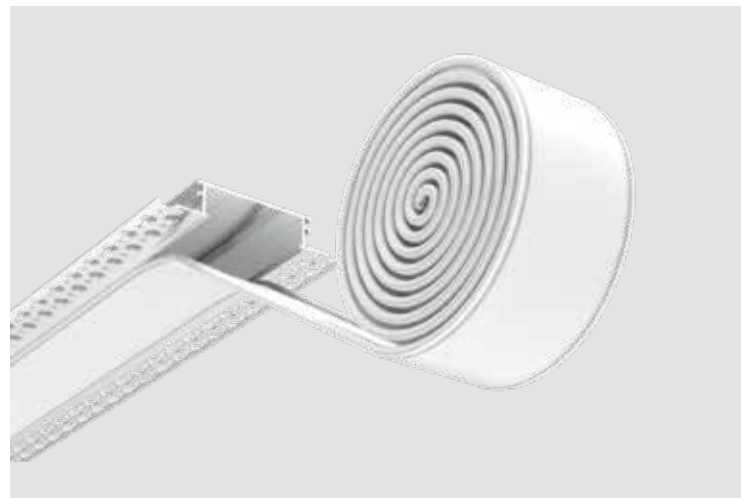
Correct Bending Way



End Caps



TRIMLESS ALUMINIUM PROFILE



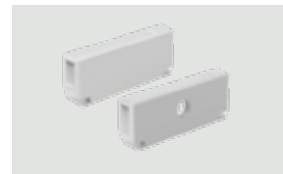
Profile Set

- 20328** 2m Aluminium Profile + 2m Opal PC Diffuser + 2pcs End Caps
- 20328-HC** 1pc 90° Horizontal Connector
- 20328-VC** 1pc 90° Vertical Connector
- 20328-OP1** 10m Opal Pc Diffuser
- 20328-OP2** 20m Opal Pc Diffuser

Opal PC Diffuser



End Caps



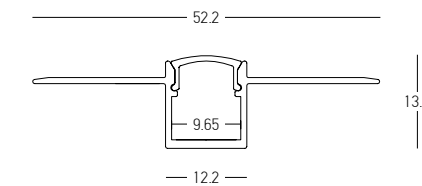
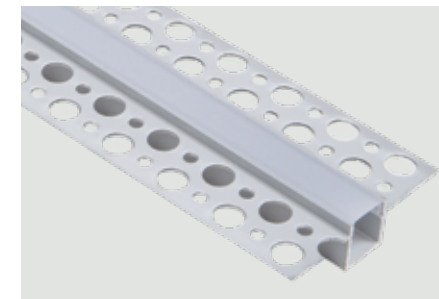
90° Vertical Connector



90° Horizontal Connector



TRIMLESS ALUMINIUM PROFILES

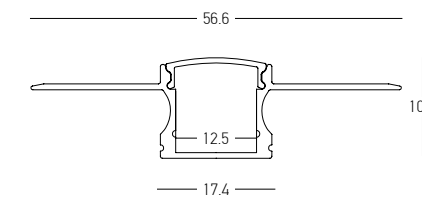
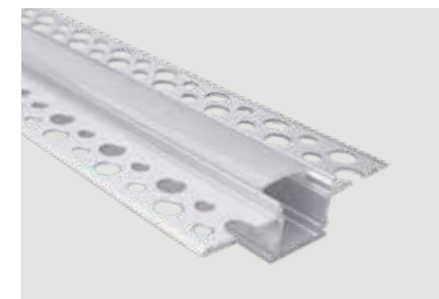


End Caps



Profile Set

- 20205** 2m Aluminium Profile + 2m Opal PC Diffuser
- 20205-E** 2pcs End Caps with Hole, 2pcs End Caps without Hole

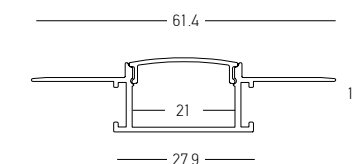
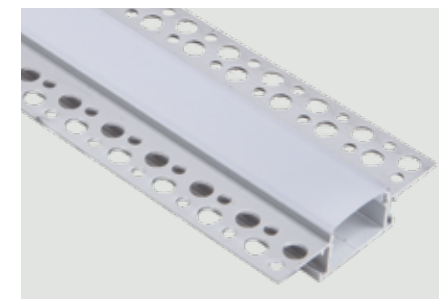


End Caps



Profile Set

- 20203** 2m Aluminium Profile + 2m Opal PC Diffuser
- 20203-E** 2pcs End Caps with Hole, 2pcs End Caps without Hole



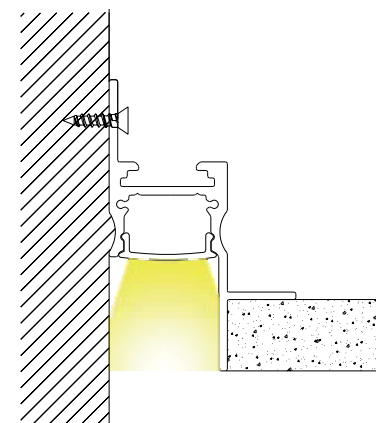
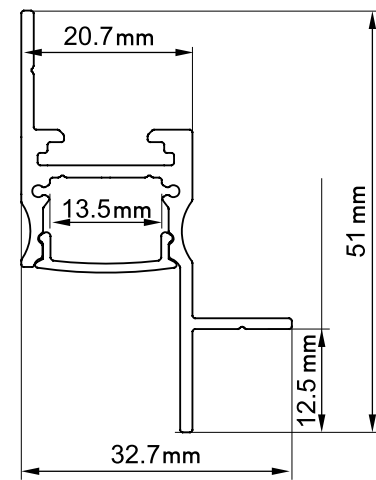
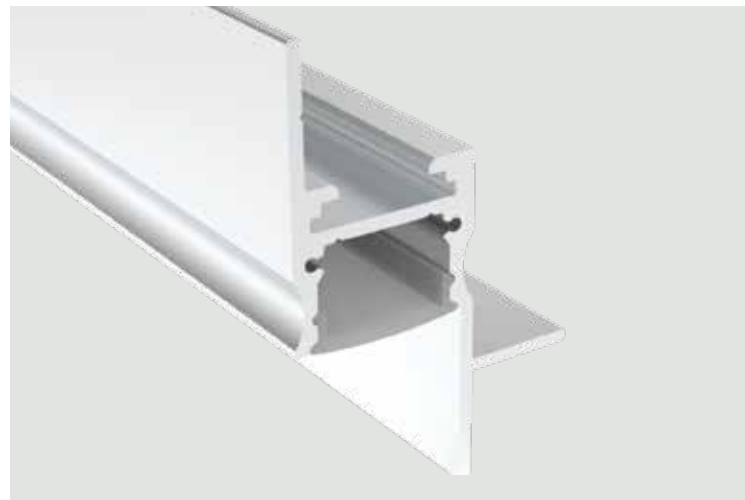
End Caps



Profile Set

- 20204** 2m Aluminium Profile + 2m Opal PC Diffuser
- 20204-E** 2pcs End Caps with Hole, 2pcs End Caps without Hole

RECESSED CORNER ALUMINIUM PROFILE

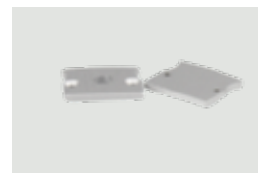


Profile Set

- 20326 2m Aluminium Profile + 2m Opal PC Diffuser + 2pcs End Caps
- 20326-CC 1pc 90° Corner Connector
- 20326-SC 1pc Straight Connector



End Caps



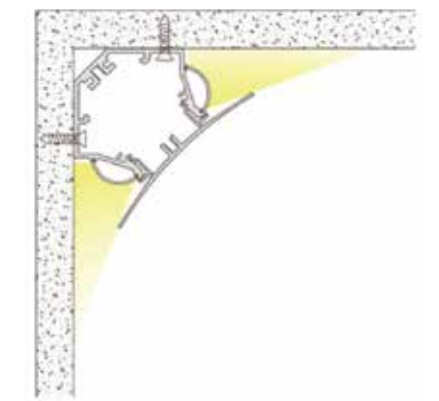
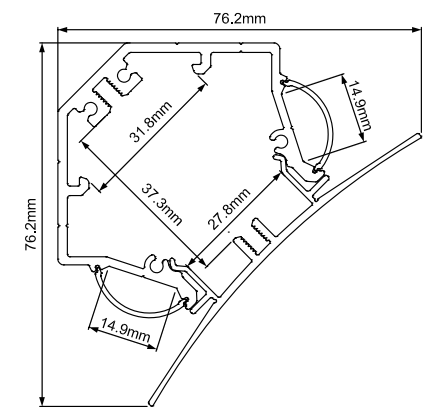
90° Corner Connector



Straight Connector

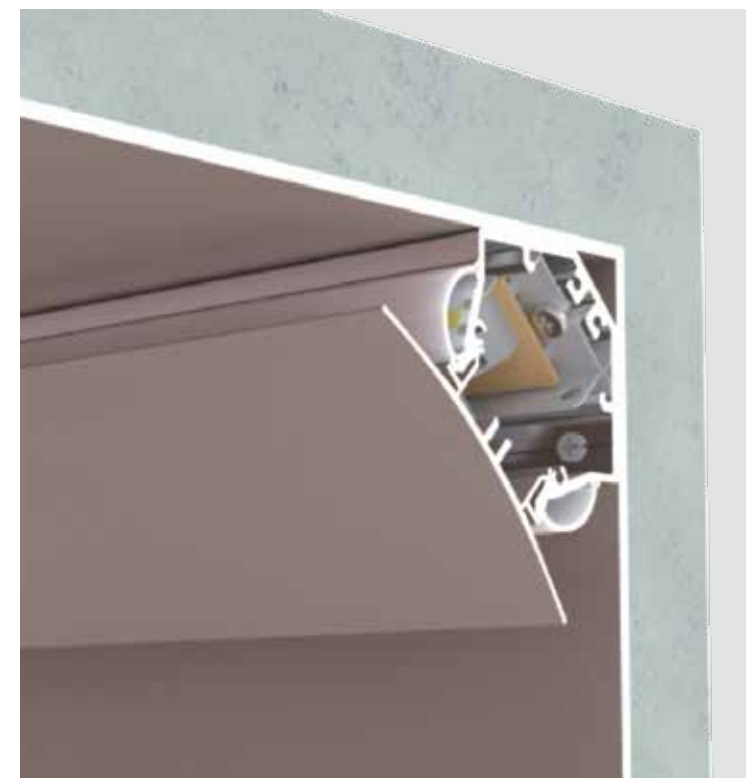


DUAL-LIGHT CORNER ALUMINIUM PROFILE



Profile Set

- 20327 2m Aluminium Profile + 4m Opal PC Diffuser + 2pcs End Caps
- 20327-W 2m White Aluminium Profile + 4m Opal PC Diffuser + 2pcs End Caps



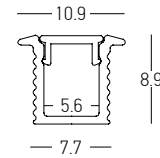
End Caps



PC Cover



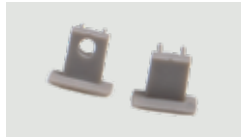
RECESSED ALUMINIUM PROFILE



Metal Clips

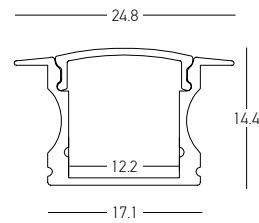


End Caps



Profile Set

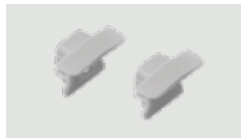
- 20195** 2m Aluminium Profile + 2m Opal PC Diffuser
20195-E 2pcs End Caps with Hole, 2pcs End Caps without Hole , 4pcs Metal Clips



Metal Clips

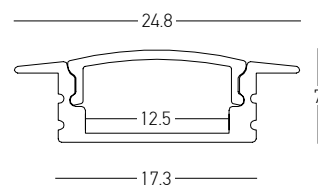


End Caps



Profile Set

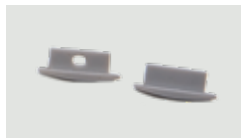
- 20194** 2m Aluminium Profile + 2m Opal PC Diffuser
20194-E 2pcs End Caps with Hole, 2pcs End Caps without Hole , 4pcs Metal Clips



Metal Clips

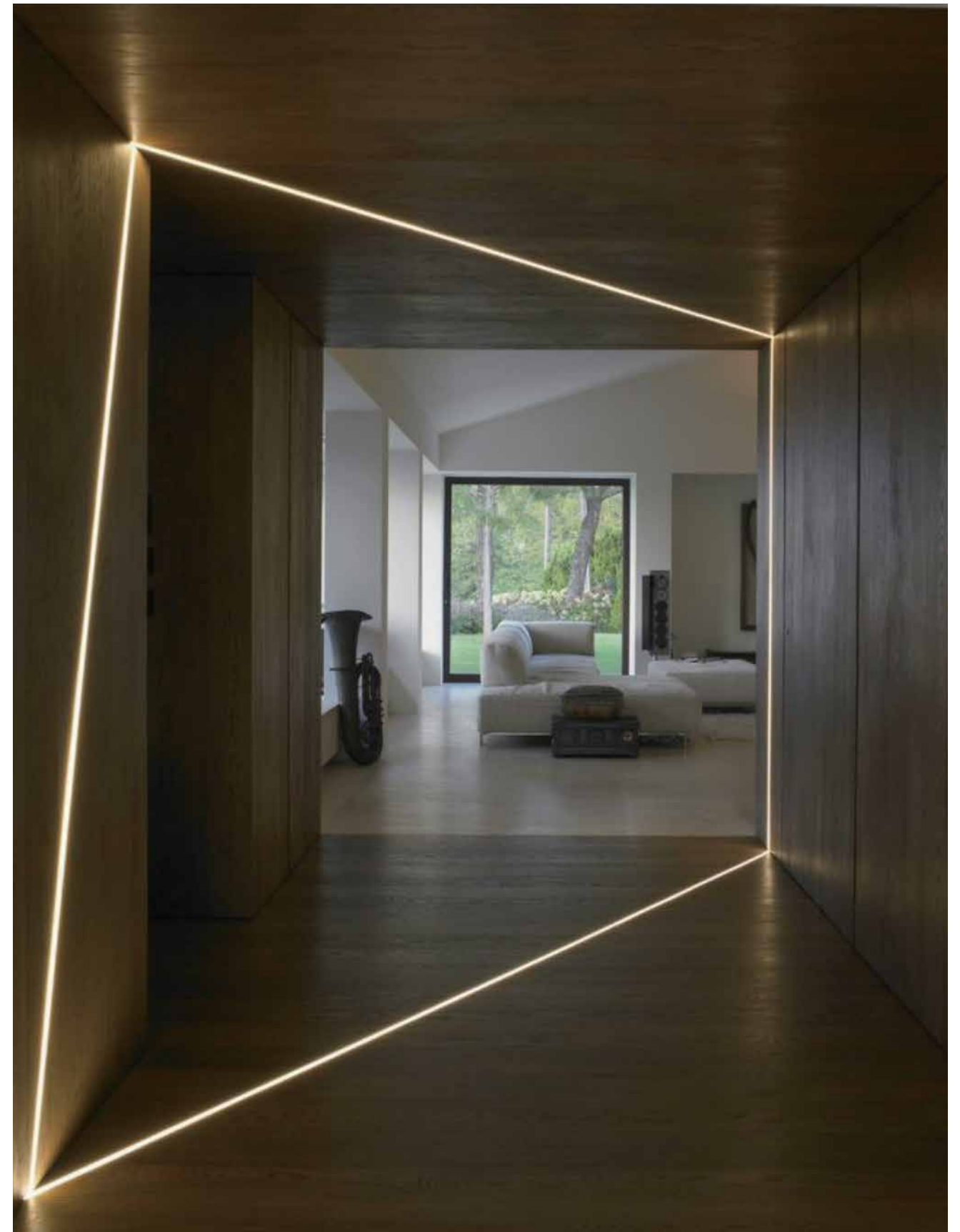


End Caps

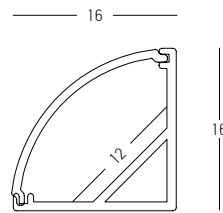


Profile Set

- 20206** 2m Aluminium Profile + 2m Opal PC Diffuser
20206-E 2pcs End Caps with Hole, 2pcs End Caps without Hole , 4pcs Metal Clips



CORNER ALUMINIUM PROFILE



Profile Set

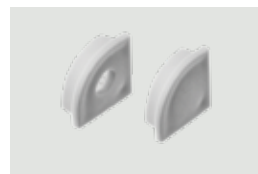
- 20197** 2m Aluminium Profile + 2m Opal PC Diffuser
- 20197-E** 2pcs End Caps with Hole, 2pcs End Caps without Hole , 4pcs Metal Clips



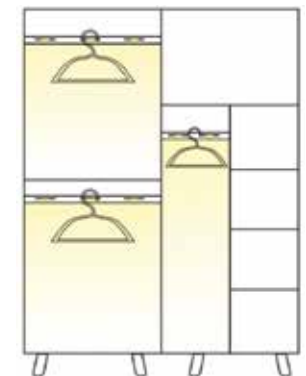
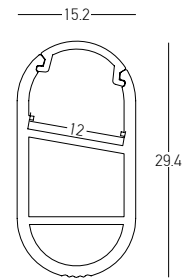
Metal Clips



End Caps



HANGING ALUMINIUM PROFILE



Profile Set

- 20190** 2m Aluminium Profile + 2m Opal PC Diffuser + 2pcs End Caps
- 20190-H** 2pcs Top Hanging Kit
- 20190-S** 2pcs Side Hanging End Caps



End Caps



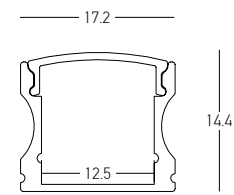
Side Hanging End Caps



Top Hanging Kit



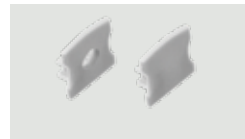
SURFACE ALUMINIUM PROFILES



Metal Clips

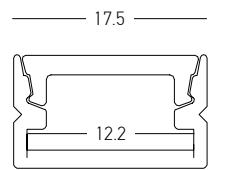
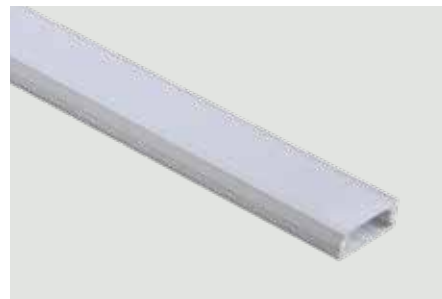


End Caps



Profile Set

- 20193** 2m Aluminium Profile + 2m Opal PC Diffuser
- 20193-E** 2pcs End Caps with Hole, 2pcs End Caps without Hole, 4pcs Metal Clips



Plastic Clips

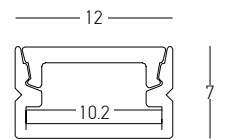
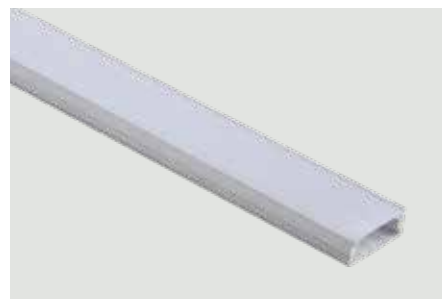


End Caps



Profile Set

- 20201** 2m Aluminium Profile + 2m Opal PC Diffuser
- 20201-E** 1pcs End Caps with Hole, 1pcs End Caps without Hole, 2pcs Plastic Clips



Metal Clips



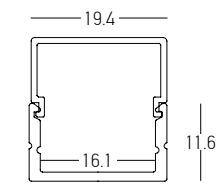
End Caps



Profile Set

- 20199** 2m Aluminum Profile + 2m Opal PC Diffuser
- 20199-E** 2pcs End Cap with Hole, 2pcs End Cap without Hole, 2pcs Metal Clips

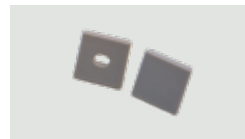
SURFACE ALUMINIUM PROFILE



Metal Clips

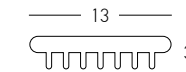


End Caps



Profile Set

- 20198** 2m Aluminium Profile + 2m Opal PC Diffuser
- 20198-E** 2pcs End Caps with Hole, 2pcs End Caps without Hole, 4pcs Metal Clips



Profile Set

- 20202** 2m Aluminium Profile for Heat Dissipation

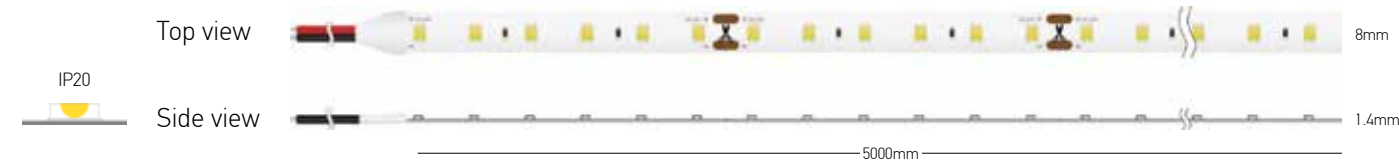




High Efficiency - Up to 100 Lm/w



- 5W/m 120 LEDs/m

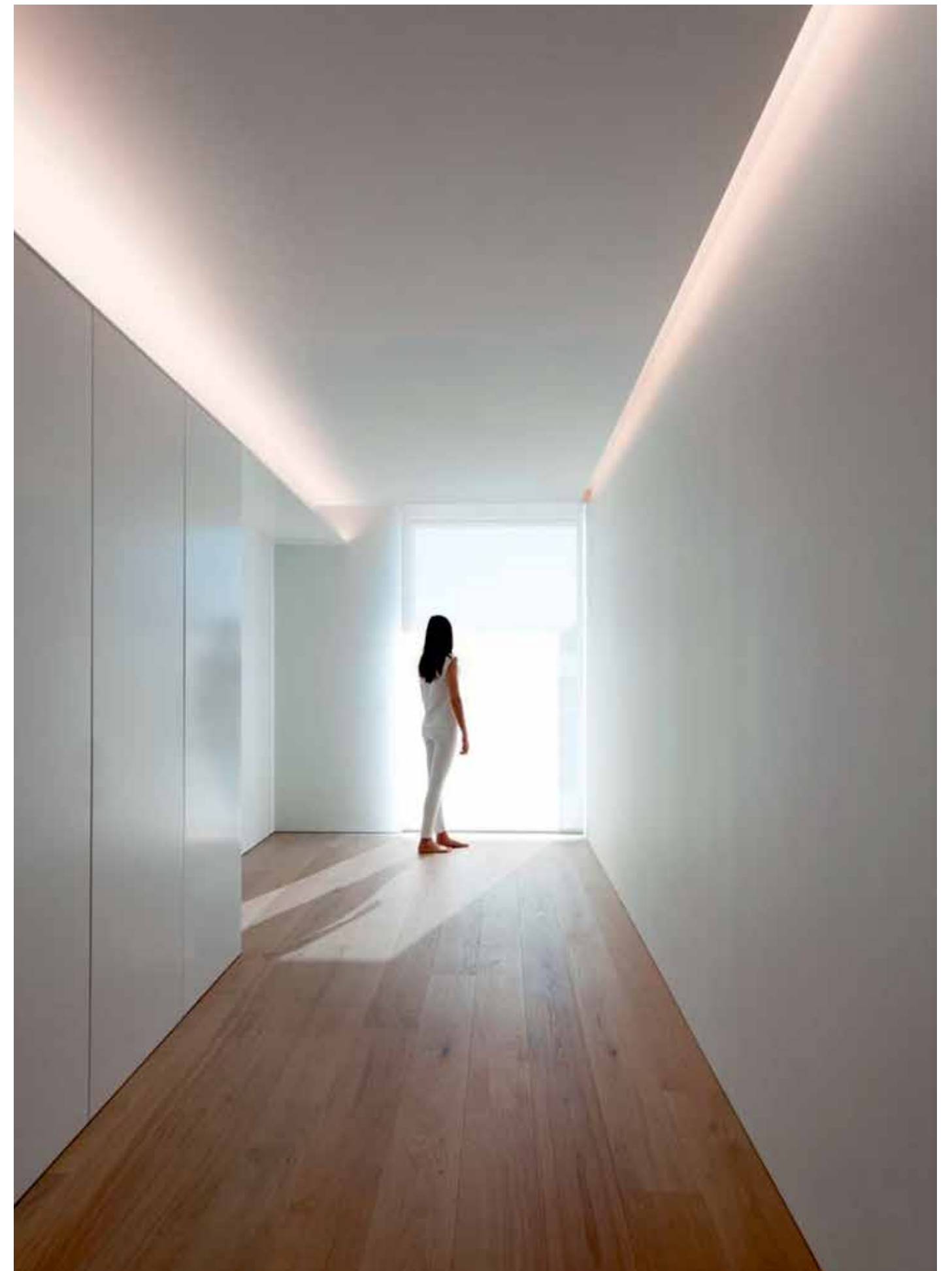


Code	IP	Kelvin	Watt	Lm/m	Lumen Efficiency	100Lm/W
LS44	20	2700	5W/m	470	SDCM	<5
LS45	20	3000	5W/m	490	Cri	90
LS46	20	4000	5W/m	500	LEDs/m	120
					Voltage	DC24V
					Dimensions	L: 5000mm
						W: 8mm
						H: 1.4mm
					Unit Cut	50mm
					Life Span	30000H

- 9.6W/m 120 LEDs/m



Code	IP	Kelvin	Watt	Lm/m	Lumen Efficiency	100Lm/W
LS39	20	2700	9.6W/m	910	SDCM	<5
LS40	20	3000	9.6W/m	950	Cri	90
LS41	20	4000	9.6W/m	960	LEDs/m	120
					Voltage	DC24V
					Dimensions	L: 5000mm
						W: 8mm
						H: 1.4mm
					Unit Cut	50mm
					Life Span	30000H

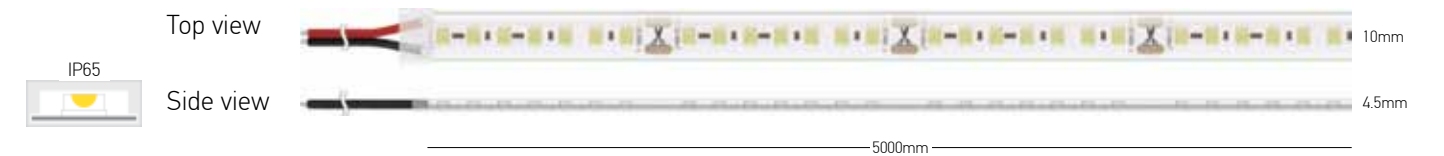




High Efficiency - Up to 100 Lm/W

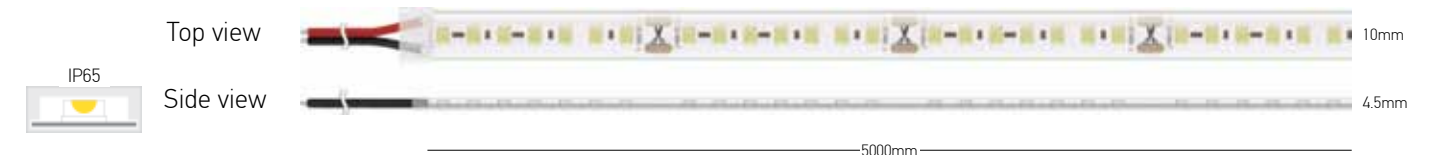


- 5W/m 120 LEDs/m



Code	IP	Kelvin	Watt	Lm/m	Lumen Efficiency	100Lm/W
LS47	65	3000	5W/m	490	SDCM	<5
					Cri	90
					LEDs/m	120
					Voltage	DC24V
					Dimensions	L: 5000mm
						W: 10mm
						H: 4.5mm
					Unit Cut	50mm
					Life Span	30000H

- 9.6W/m 120 LEDs/m



Code	IP	Kelvin	Watt	Lm/m	Lumen Efficiency	100Lm/W
LS42	65	3000	9.6W/m	950	SDCM	<5
LS43	65	4000	9.6W/m	960	Cri	90
					LEDs/m	120
					Voltage	DC24V
					Dimensions	L: 5000mm
						W: 10mm
						H: 4.5mm
					Unit Cut	50mm
					Life Span	30000H



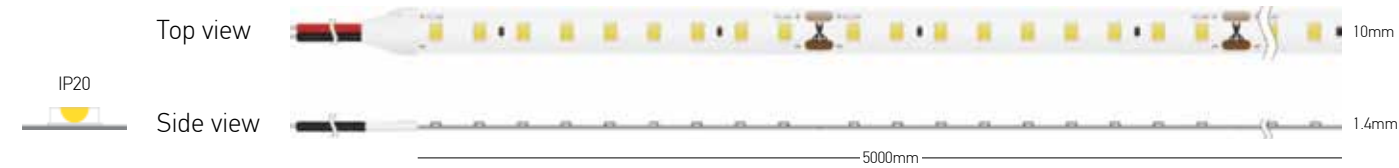
*The package includes 10 Clips, 5 End Caps and Screws.



High Lumen - Up to 215 Lm/W



- 5W/m 126 LEDs/m



Code	IP	Kelvin	Watt	Lm/m	Lumen Efficiency	205Lm/W
LS48	20	2700	5W/m	875	SDCM	<3
LS49	20	3000	5W/m	955	Cri	80
LS50	20	4000	5W/m	1030	LEDs/m	126
					Voltage	DC24V
					Dimensions	L: 5000mm W: 10mm H: 1.4mm
					Unit Cut	71.4mm
					Life Span	50000H

- 7W/m 180 LEDs/m



Code	IP	Kelvin	Watt	Lm/m	Lumen Efficiency	215Lm/W
LS51	20	3000	7W/m	1380	SDCM	<3
LS52	20	4000	7W/m	1505	Cri	80
					LEDs/m	180
					Voltage	DC24V
					Dimensions	L: 5000mm W: 10mm H: 1.4mm
					Unit Cut	50mm
					Life Span	50000H





Less Wattage - Better Efficiency

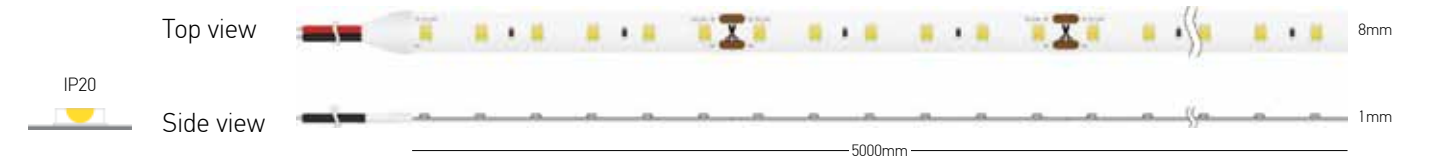


- 3.5W/m 120 LEDs/m



Code	IP	Kelvin	Watt	Lm/m	Lumen Efficiency	110Lm/W
LS17	20	2700	3.5W/m	400	SDCM	<3
LS18	20	3000	3.5W/m	420	Cri	80
LS19	20	4000	3.5W/m	450	LEDs/m	120
					Voltage	DC24V
					Dimensions	L: 5000mm W: 8mm H: 1mm
					Unit Cut	50mm
					Life Span	30000H

- 8.6W/m 120 LEDs/m



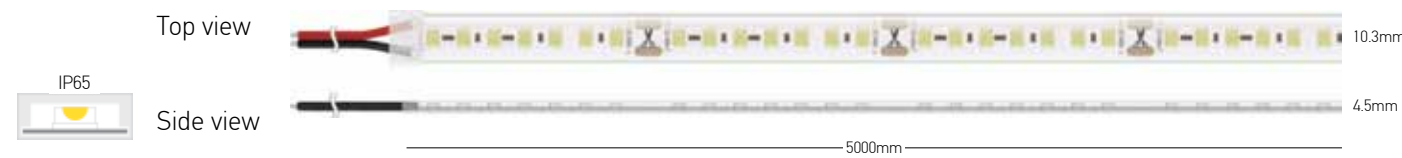
Code	IP	Kelvin	Watt	Lm/m	Lumen Efficiency	110Lm/W
LS23	20	2700	8.6W/m	980	SDCM	<3
LS24	20	3000	8.6W/m	1020	Cri	80
LS25	20	4000	8.6W/m	1050	LEDs/m	120
					Voltage	DC24V
					Dimensions	L: 5000mm W: 8mm H: 1mm
					Unit Cut	50mm
					Life Span	30000H



Less Wattage - Better Efficiency



- 3.5W/m 120 LEDs/m

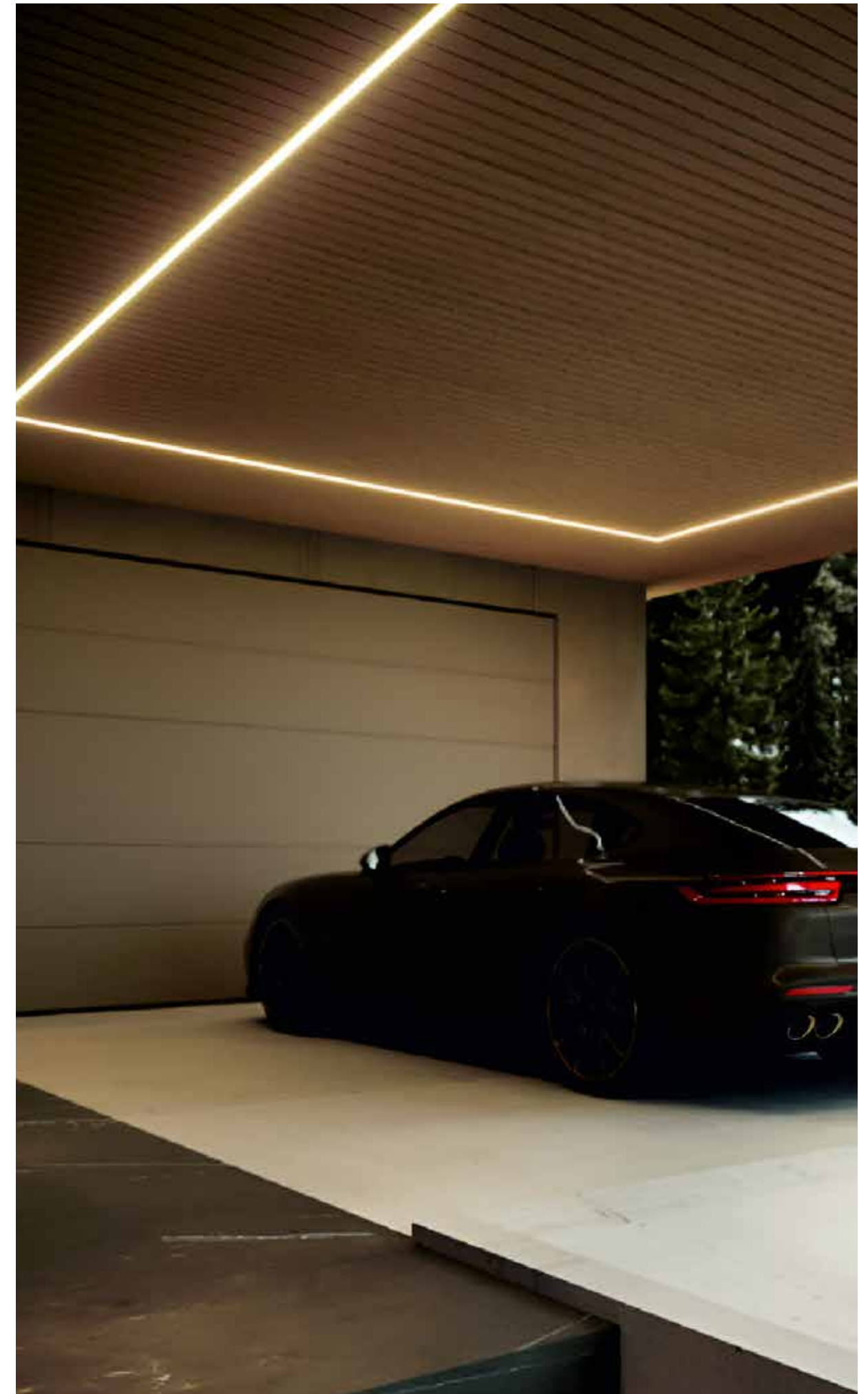


Code	IP	Kelvin	Watt	Lm/m	Lumen Efficiency	110Lm/W
LS20	65	2700	3.5W/m	370	SDCM	<3
LS21	65	3000	3.5W/m	390	Cri	80
LS22	65	4000	3.5W/m	415	LEDs/m	120
					Voltage	DC24V
					Dimensions	L: 5000mm W: 10.3mm H: 4.5mm
					Unit Cut	50mm
					Life Span	30000H

- 8.6W/m 120 LEDs/m



Code	IP	Kelvin	Watt	Lm/m	Lumen Efficiency	110Lm/W
LS26	65	2700	8.6W/m	910	SDCM	<3
LS27	65	3000	8.6W/m	950	Cri	80
LS28	65	4000	8.6W/m	975	LEDs/m	120
					Voltage	DC24V
					Dimensions	L: 5000mm W: 10.3mm H: 4.5mm
					Unit Cut	50mm
					Life Span	30000H

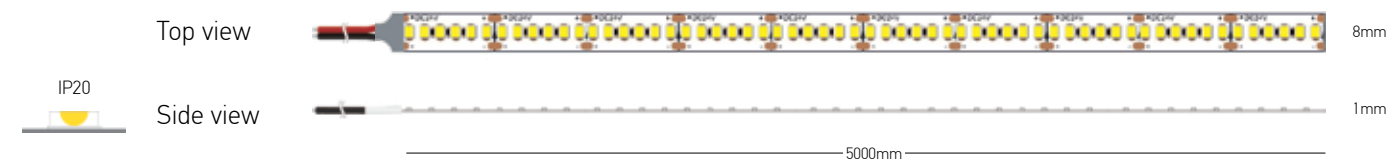




Short Pitch - Up to 105 Lm/W



- 9.6W/m 240 LEDs/m



Code	IP	Kelvin	Watt	Lm/m	Lumen Efficiency	SDCM	Cri	LEDs/m	Voltage	Dimensions	Unit Cut	Life Span
LS29	20	3000	9.6W/m	1000	105Lm/W	<3	80	240	DC24V	L: 5000mm W: 8mm H: 1mm	50mm	25000H
LS33	20	4000	9.6W/m	1020								

Dimming Options

1. DALI Dimming : Dali Driver 24V + Switch DALI MCU. Suitable with Drivers to Page : 487 | 488
2. BLUETOOTH Dimming : On-Off Driver 24V+OT Wi DIM (CASAMBI App). Suitable with Drivers to Page : 486 | 488
3. PHASECUT Dimming : Suitable with PhaseCut Drivers to Page : 488
4. 1-10 Dimming : 1-10 Driver 24V. Suitable with 1-10V Drivers to Page : 488
5. PUSH BUTTON Dimming : Dali Driver 24V to Page : 487



High Lumen - Up to 2000 Lm/M



- 15.5W/m 140 LEDs/m



Code	IP	Kelvin	Watt	Lm/m	Lumen Efficiency	SDCM	Cri	LEDs/m	Voltage	Dimensions	Unit Cut	Life Span
LS31	20	3000	15.5W/m	2000	129Lm/W	<3	80	140	DC24V	L: 5000mm W: 8mm H: 1mm	50mm	50000H
LS32	20	4000	15.5W/m	2060								

Dimming Options

1. DALI Dimming : Dali Driver 24V + Switch DALI MCU. Suitable with Drivers to Page : 487 | 488
2. BLUETOOTH Dimming : On-Off Driver 24V+OT Wi DIM (CASAMBI App). Suitable with Drivers to Page : 486 | 488
3. PHASECUT Dimming : Suitable with PhaseCut Drivers to Page : 488
4. 1-10 Dimming : 1-10 Driver 24V. Suitable with 1-10V Drivers to Page : 488
5. PUSH BUTTON Dimming : Dali Driver 24V to Page : 487



COB Weldless



- 5W/m 320 LEDs/m



Code	IP	Kelvin	Watt	Lm/m	Lumen Efficiency	95Lm/W
LS34	20	2700	5W/m	460	SDCM	<5
LS35	20	3000	5W/m	475	Cri	90
					LEDs/m	320
					Voltage	DC24V
					Dimensions	L: 5000mm
						W: 8mm
						H: 2.2mm
					Unit Cut	50mm
					Life Span	30000H

- 8W/m 320 LEDs/m

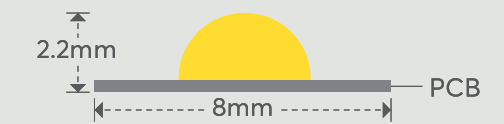


Code	IP	Kelvin	Watt	Lm/m	Lumen Efficiency	95Lm/W
LS36	20	2700	8W/m	736	SDCM	<5
LS37	20	3000	8W/m	760	Cri	90
					LEDs/m	320
					Voltage	DC24V
					Dimensions	L: 5000mm
						W: 8mm
						H: 2.2mm
					Unit Cut	50mm
					Life Span	30000H

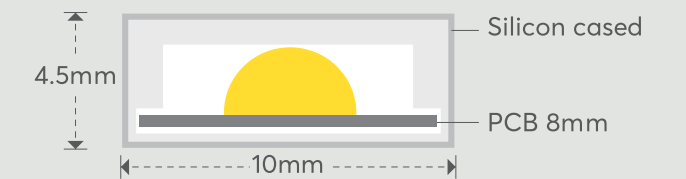
COB IP RATING

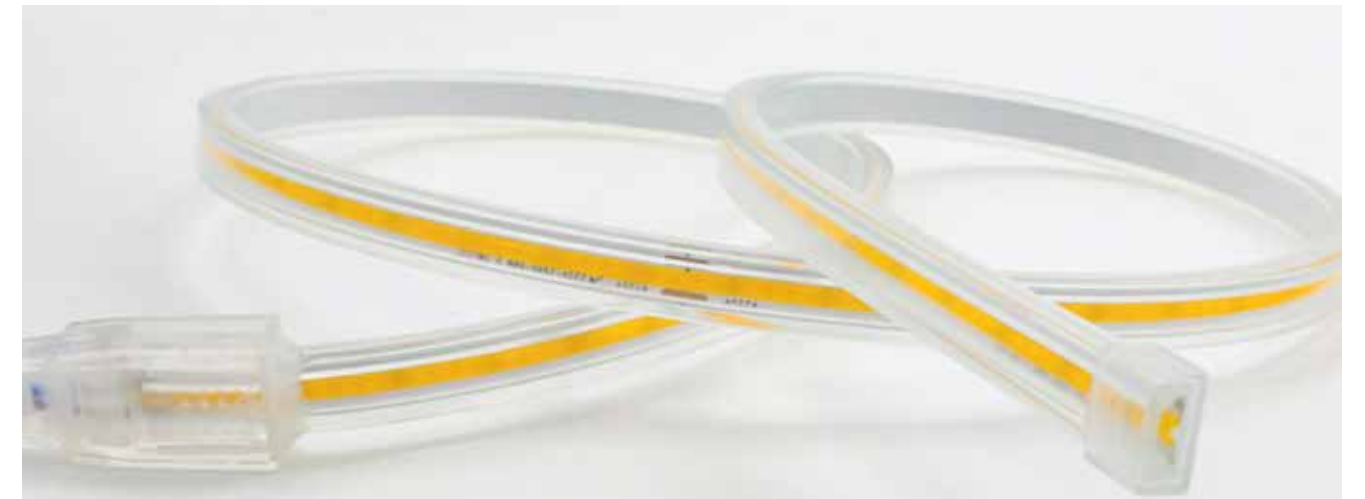


IP20
Ribbon Series



IP65
Hollow extrusion





COB Weldless Waterproof



- 8W/m 320 LEDs/m



Code	IP	Kelvin	Watt	Lm/m	Lumen Efficiency	95Lm/W
LS38	65	3000	8W/m	760	SDCM	<5
					Cri	90
					LEDs/m	320
					Voltage	DC24V
					Dimensions	L: 5000mm
						W: 10mm
						H: 4.5mm
					Unit Cut	50mm
					Life Span	30000H

Mounting Clips End Caps Screws



*The package includes 10 Mounting Clips, 5 End Caps and Screws.



High Efficacy COB - Up to 130 Lm/w



- 8W/m 320 LEDs/m



Code	IP	Kelvin	Watt	Lm/m	Lumen Efficiency	130Lm/W
LS53	20	2700	8W/m	960	SDCM	<5
LS54	20	3000	8W/m	1040	Cri	90
					LEDs/m	320
					Voltage	DC24V
					Dimensions	L: 5000mm W: 8mm H: 2.2mm
					Unit Cut	50mm
					Life Span	50000H

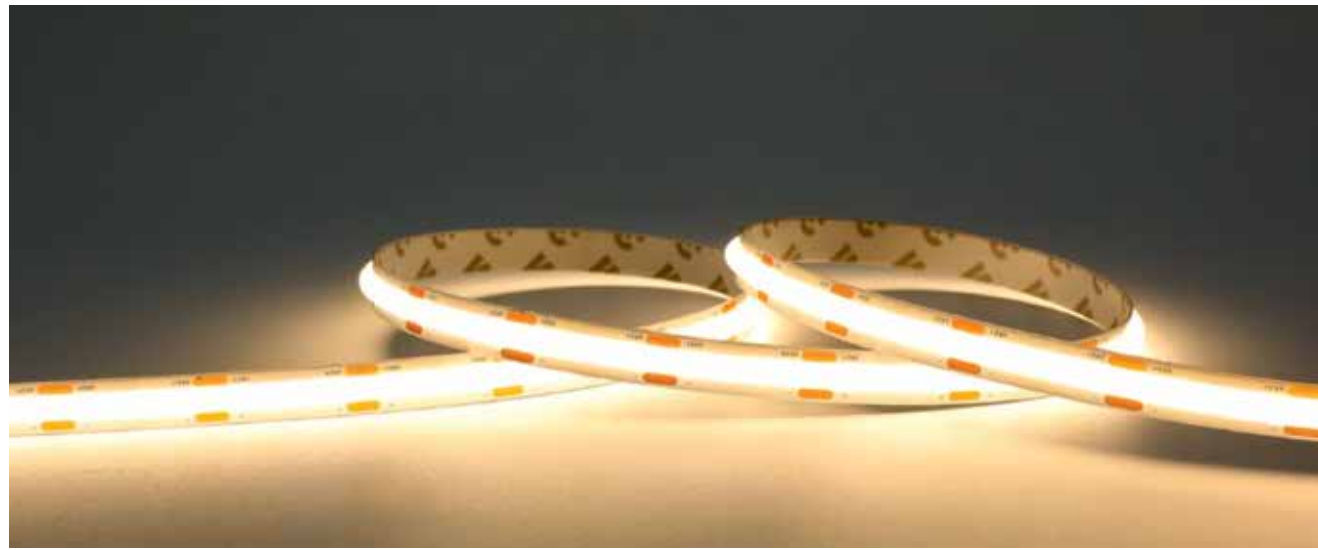
COB LED Strip - Up to 110 Lm/w



- 10W/m 480 LEDs/m



Code	IP	Kelvin	Watt	Lm/m	Lumen Efficiency	110Lm/W
LS02	20	2700	10W/m	950	SDCM	<3
LS03	20	3000	10W/m	1000	Cri	90
LS04	20	4000	10W/m	1105	LEDs/m	480
					Voltage	DC24V
					Dimensions	L: 5000mm W: 10mm H: 2.2mm
					Unit Cut	50mm
					Life Span	20000H



High Efficacy DOB - Up to 147 Lm/W



- 15 W/m 288 LEDs/m



Code	IP	Kelvin	Watt	Lm/m	Lumen Efficiency
LS55	20	3000	15W/m	2205	147Lm/W
					SDCM <5
					Cri 90
					LEDs/m 288
					Voltage DC24V
					Dimensions L: 5000mm
					W: 10mm
					H: 2.2mm
					Unit Cut 27.7mm
					Life Span 50000H



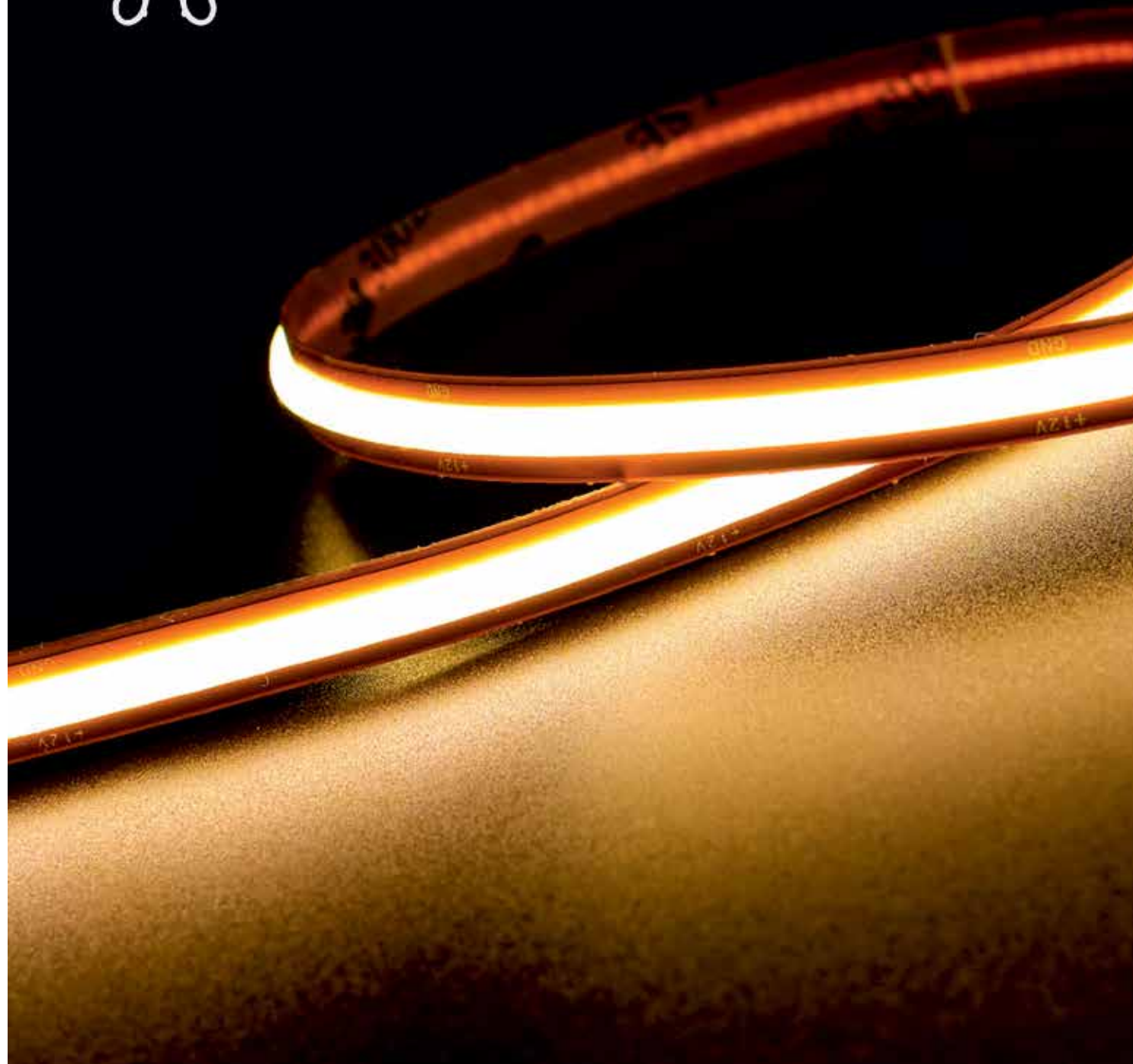
SMD TECHNOLOGY



High Efficacy DOB
Up to 147lm/W

Free cutting

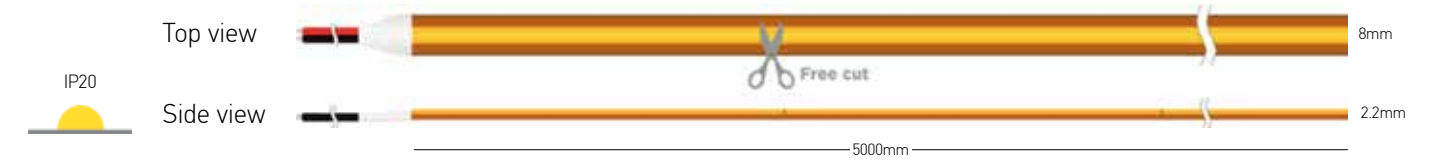
Cut any where.
Dot-free, ideal for linear or even direct illumination.



Free Cut COB



-13W/m 528 LEDs/m



Code	IP	Kelvin	Watt	Lm/m	Lumen Efficiency	68Lm/W
LS56	20	3000	13W/m	890	SDCM	<5
					Cri	90
					LEDs/m	528
					Voltage	DC24V
					Dimensions	L: 5000mm
						W: 8mm
						H: 2.2mm
					Unit Cut	Free Cut
					Life Span	30000H



Connectors For IP 20 LED Strips 8mm & 10mm

Connector for LED Strips 8mm & 10mm - Board to Board



Code	LED Strip Width
CON08	8mm
CON10	10mm

Corner Connector for LED Strips 8mm & 10mm - Board to Board



Code	LED Strip Width
CORN08	8mm
CORN10	10mm

Feeder for LED Strips 8mm & 10mm - Wire to Board

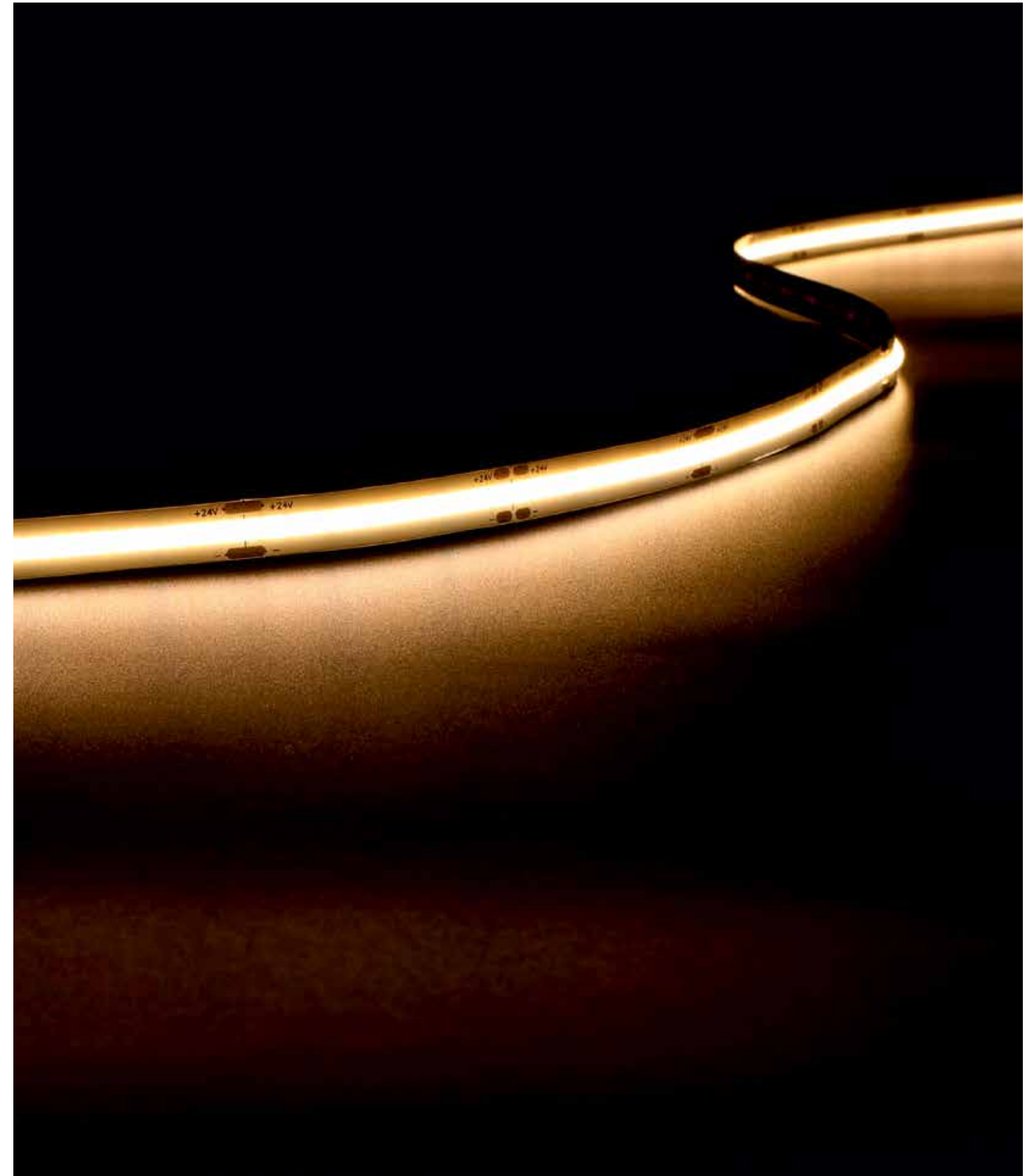


Code	LED Strip Width	Cable Length
FED08	8mm	140mm
FED10	10mm	140mm

Flex Connector for LED Strips 8mm & 10mm - Board-Wire-Board



Code	LED Strip Width	Cable Length
FC08	8mm	140mm
FC10	10mm	140mm





Tunable White Strip - (2700K - 6500K)

- 12W/m 120 LEDs/m



Code	IP	Kelvin	Watt	Lm/m	Lumen Efficiency	78Lm/W
LS06	20	2700	12W/m	816	SDCM	<3
LS06	20	6500	12W/m	1050	Cri	90
LS06	20	2700-6500	24W/m	1866	LEDs/m	120
					Voltage	DC24V
					Dimensions	L: 5000mm W: 10mm H: 1.1mm
					Unit Cut	100mm
					Life Span	20000H

Dimming Options

1. DALI Dimming : DALI Driver 24V 4 CHANNEL + Switch DALI MCU. Suitable with Drivers to Page : 487 | 488
2. BLUETOOTH Dimming : On-Off Driver 24V+OT Wi DIM 5 CHANNEL (CASAMBI App). Suitable with Drivers to Page : 486 | 488



RGBW LED Strip - Up to 52 Lm/w

- 16W/m 60 LEDs/m



Code	IP	Kelvin	Watt	Lm/m	Lumen Efficiency	52Lm/W
LS12	20	RGB+3000	16W/m	832	SDCM	<3
					Cri	80
					LEDs/m	60
					Voltage	DC24V
					Dimensions	L: 5000mm W: 12mm H: 2.2mm
					Unit Cut	100mm
					Life Span	54000H

Dimming Options

1. DALI Dimming : DALI Driver 24V 4 CHANNEL + Switch DALI MCU. Suitable with Drivers to Page : 487 | 488
2. BLUETOOTH Dimming : On-Off Driver 24V+OT Wi DIM 5 CHANNEL (CASAMBI App). Suitable with Drivers to Page : 486 | 488

One size
Two options

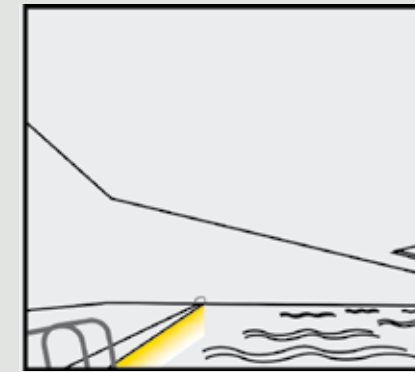
 **Top Bending**

or

 **Side Bending**


NEON IP RATING

IP67
NEON Series



 **Top Bending**

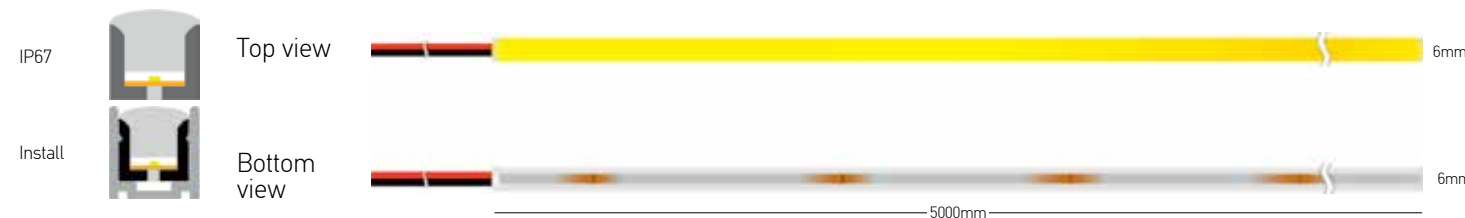
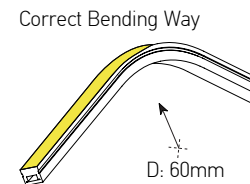


 **Side Bending**

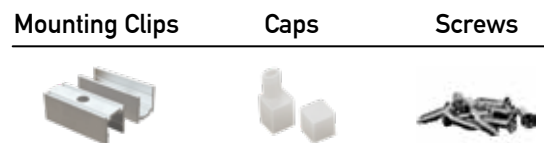


6x6mm White NEON Strip - Top Bending

-8W/m 238 LEDs/m



Code	IP	Kelvin	Watt	Lm/m	Lumen Efficiency	60Lm/W
LS57	67	2700	8W/m	480	SDCM	<5
LS58	67	3000	8W/m	490	Cri	90
					LEDs/m	238
					Voltage	DC24V
					Dimensions	L: 5000mm W: 6mm H: 6mm 29.4mm
					Unit Cut	29.4mm
					Life Span	30000H

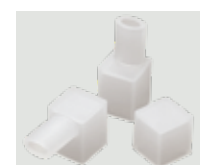


*The package includes 10 Mounting Clips, 2 Straight Feeder Caps, 4 End Caps and Screws.

Accessories For LS57 - LS58 - LS59 - LS60



Aluminium Mounting Clips (10pcs)
Dimensions L: 2cm W: 8mm H: 8mm
Code CL0606



End Caps (6 pcs)
Straight Feeder Caps (2pcs)
Side Feeder Caps (2pcs)
Code ECLS0606

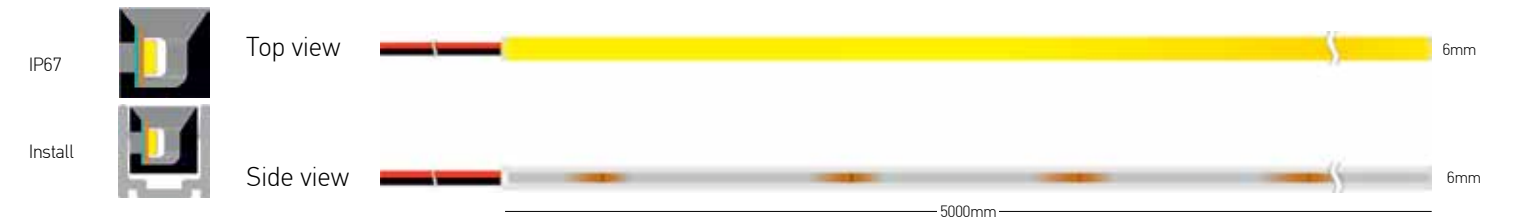
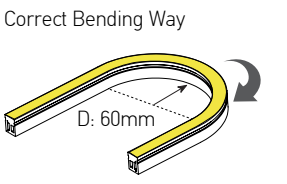


Aluminium Profile
Dimensions L: 100cm W: 8mm H: 8mm
Code ALM0606

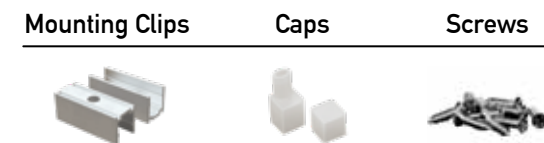


6x6mm White NEON Strip - Side Bending

-8W/m 238 LEDs/m



Code	IP	Kelvin	Watt	Lm/m	Lumen Efficiency	57Lm/W
LS59	67	2700	8W/m	440	SDCM	<5
LS60	67	3000	8W/m	455	Cri	90
					LEDs/m	238
					Voltage	DC24V
					Dimensions	L: 5000mm W: 6mm H: 6mm 29.4mm
					Unit Cut	29.4mm
					Life Span	30000H

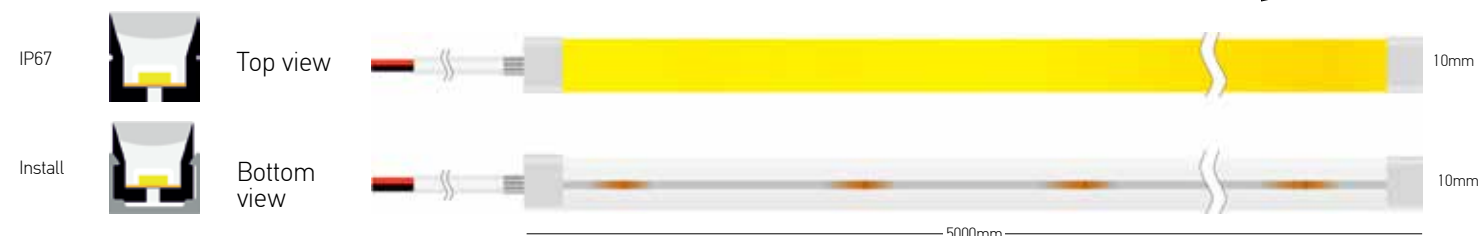
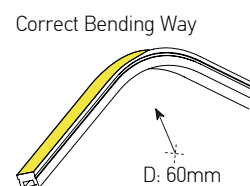


*The package includes 10 Mounting Clips, 2 Straight Feeder Caps, 4 End Caps and Screws.

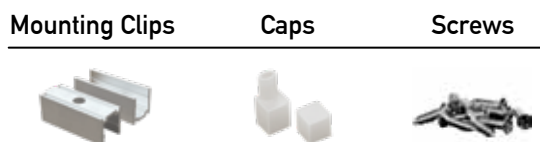


10x10mm White NEON Strip - Top Bending

-14.4W/m 182 LEDs/m

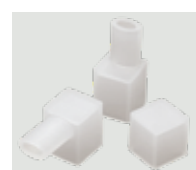


Code	IP	Kelvin	Watt	Lm/m	Lumen Efficiency	71Lm/W
LS66	67	2700	14.4W/m	1000	SDCM	<5
LS67	67	3000	14.4W/m	1030	Cri	90
					LEDs/m	182
					Voltage	DC24V
					Dimensions	L: 5000mm W: 10mm H: 10mm
					Unit Cut	38.5mm
					Life Span	30000H



*The package includes 10 Mounting Clips, 2 Straight Feeder Caps, 4 End Caps and Screws.

Accessories For LS66 - LS67 - LS68 - LS69



End Caps (6 pcs)
Straight Feeder Caps (4 pcs)
Side Feeder Caps (2 pcs)
Code ECLS66-69

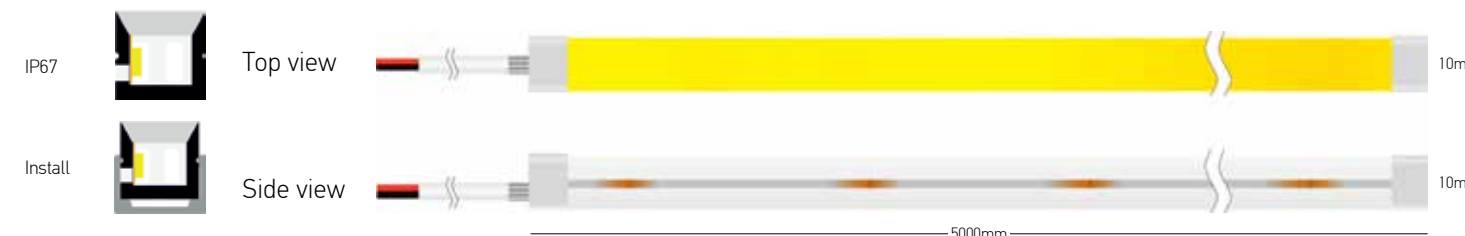
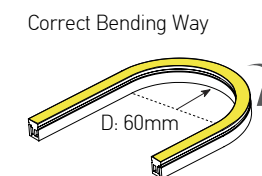


Aluminium Mounting Clips (10 pcs)
Dimensions L: 2cm W: 13mm H: 8mm
Code CLS66-69

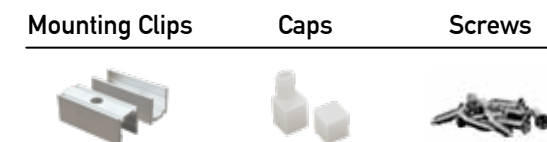


10x10mm White NEON Strip - Side Bending

-9.6W/m 144 LEDs/m



Code	IP	Kelvin	Watt	Lm/m	Lumen Efficiency	75Lm/W
LS68	67	2700	9.6W/m	690	SDCM	<5
LS69	67	3000	9.6W/m	720	Cri	90
					LEDs/m	144
					Voltage	DC24V
					Dimensions	L: 5000mm W: 10mm H: 10mm
					Unit Cut	41.6mm
					Life Span	30000H

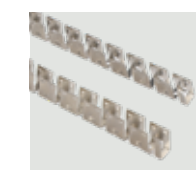


*The package includes 10 Mounting Clips, 2 Straight Feeder Caps, 4 End Caps and Screws.

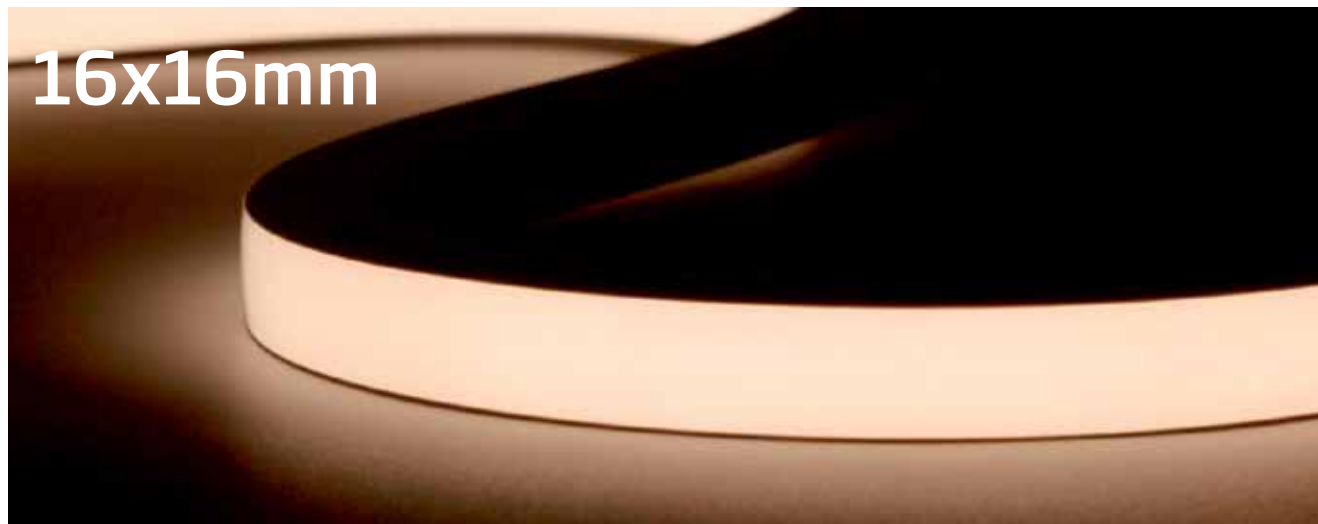
Accessories For LS66 - LS67 - LS68 - LS69



Aluminium Profile
Dimensions L: 200cm W: 13mm H: 8mm
Code ALM1010-2M

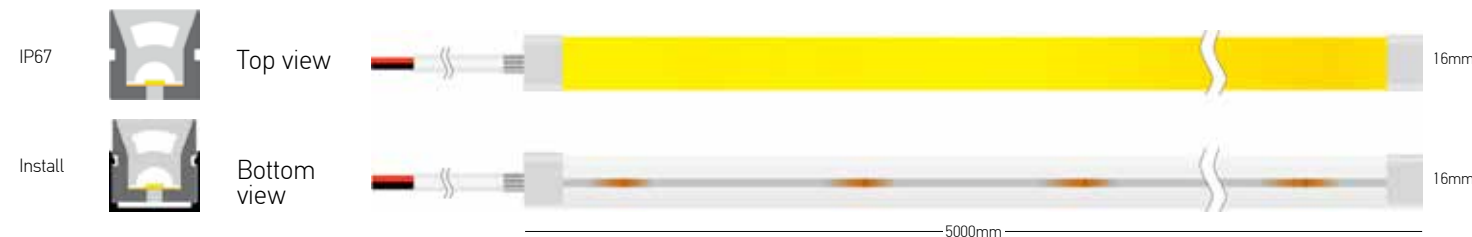
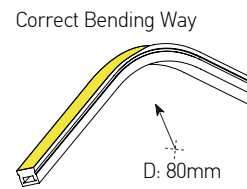


Bendable INOX Profile
Dimensions L: 100cm W: 11mm H: 10mm
Code FPLS66-69



16x16mm White NEON Strip - Top Bending

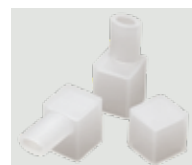
-16W/m 140 LEDs/m



Code	IP	Kelvin	Watt	Lm/m	Lumen Efficiency	60Lm/W
LS70	67	2700	16W/m	920	SDCM	<5
LS71	67	3000	16W/m	940	Cri	90
LS72	67	4000	16W/m	960	LEDs/m	140
					Voltage	DC24V
					Dimensions	L: 5000mm W: 16mm H: 16mm
Mounting Clips	Caps	Screws			Unit Cut	50mm
					Life Span	30000H

*The package includes 10 Mounting Clips, 2 Straight Feeder Caps, 4 End Caps and Screws.

Accessories For LS70- LS71 - LS72 - LS73 - LS74 - LS75



End Caps (6 pcs)
Straight Feeder Caps (4pcs)
Side Feeder Caps (2pcs)
Code ECLS1616

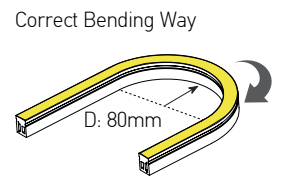


Aluminium Mounting Clips (10pcs)
Dimensions L: 2.8cm W: 17mm H: 11mm
Code CL1616



16x16mm White NEON Strip - Side Bending

-15W/m 140 LEDs/m



Code	IP	Kelvin	Watt	Lm/m	Lumen Efficiency	57Lm/W
LS73	67	2700	15W/m	840	SDCM	<5
LS74	67	3000	15W/m	865	Cri	90
					LEDs/m	140
					Voltage	DC24V
					Dimensions	L: 5000mm W: 16mm H: 16mm
Mounting Clips	Caps	Screws			Unit Cut	50mm
					Life Span	30000H

*The package includes 10 Mounting Clips, 2 Straight Feeder Caps, 4 End Caps and Screws.

Accessories For LS70- LS71 - LS72 - LS73 - LS74 - LS75



Aluminium Profile
Dimensions L: 200cm W: 17mm H: 11mm
Code ALM1616-2M



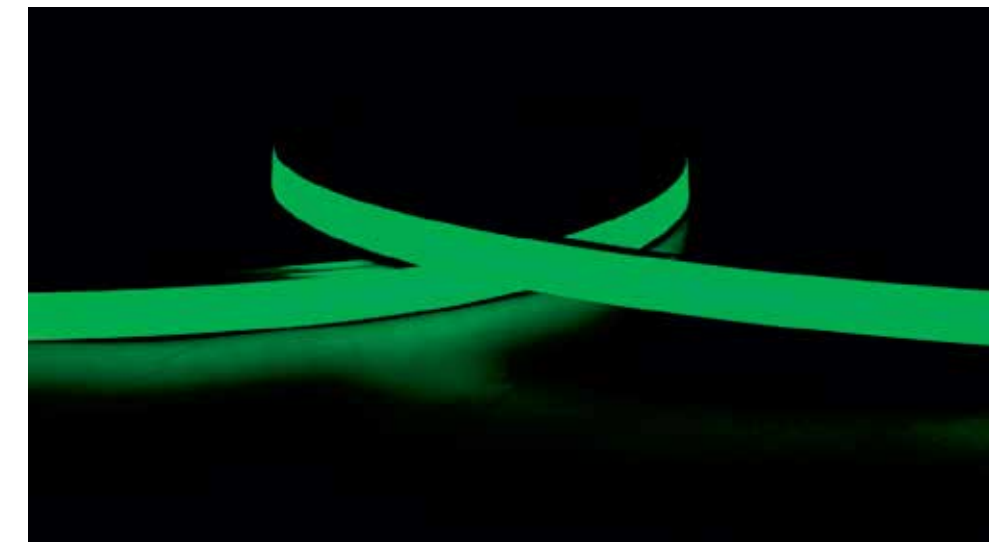
Bendable INOX Profile
Dimensions L: 100cm W: 17mm H: 16mm
Code FPL1616



Top bending



R:58Lm/m



G:150Lm/m



B:37Lm/m

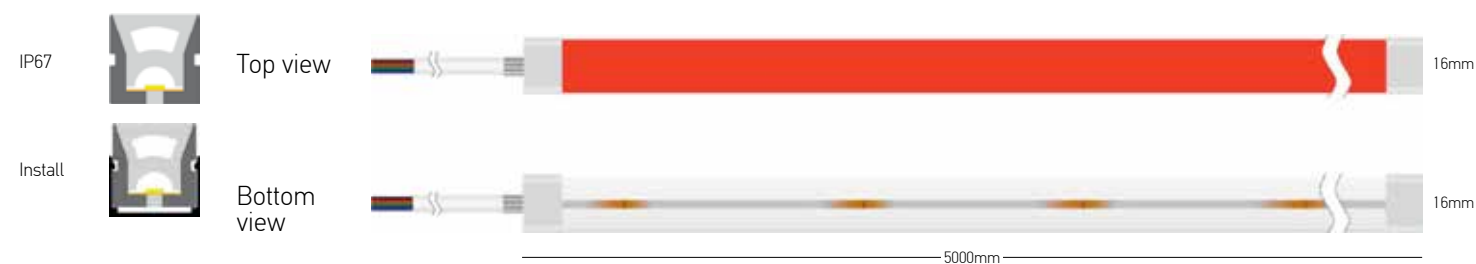
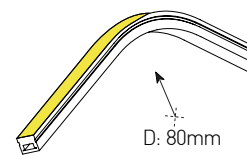
16x16mm RGBW NEON Strip - Top Bending

- 16W/m 96 LEDs/m



RGBW

Correct Bending Way



Code	IP	Kelvin	Watt	Lm/m
LS75	67	RGB+3000	15W/m	389

Lumen Efficiency	25Lm/W
SDCM	<5
Cri	80
LEDs/m	96
Voltage	DC24V
Dimensions	L: 5000mm W: 16mm H: 16mm
Unit Cut	67mm
Life Span	30000H
Special Feature	UV resistant

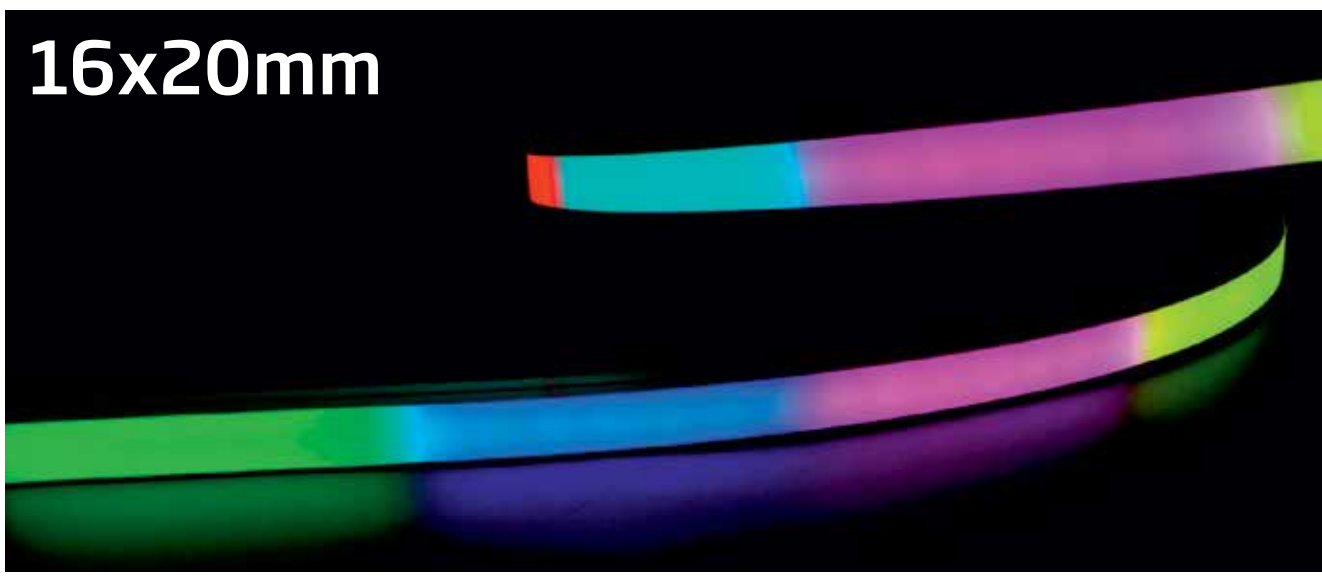
Mounting Clips Caps Screws



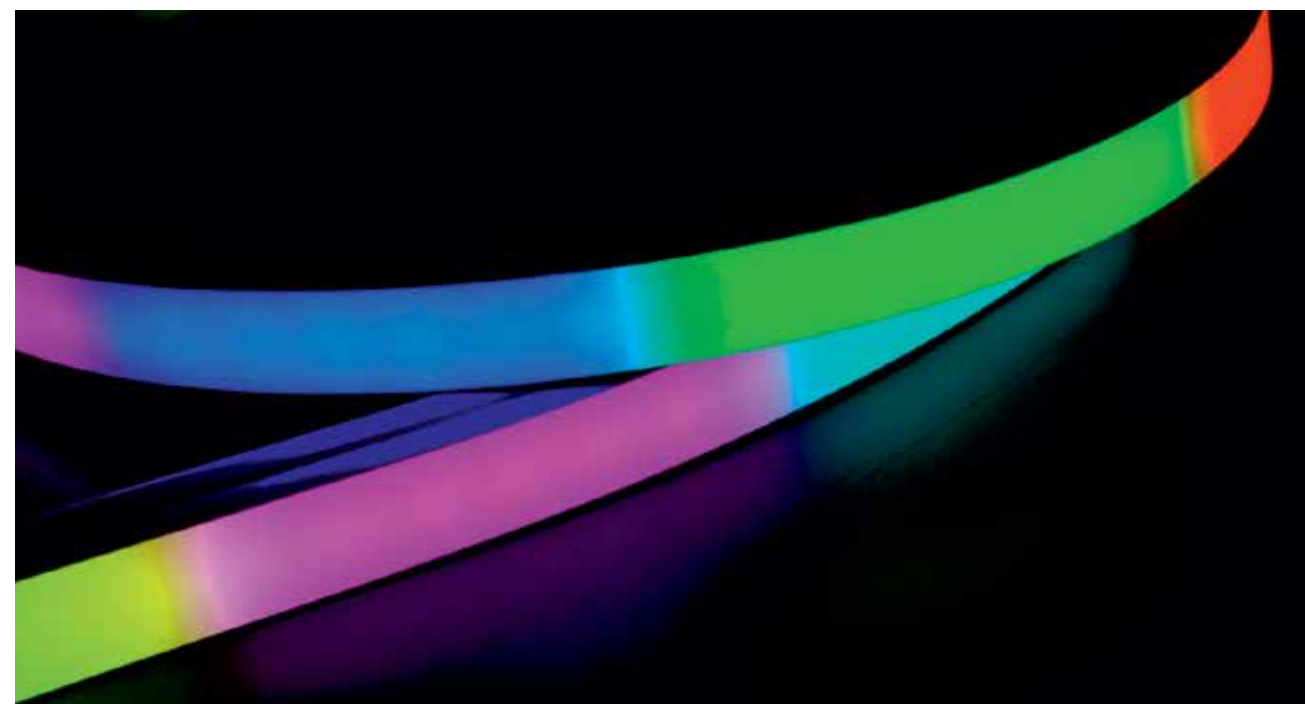
*The package includes 10 Mounting Clips, 2 Straight Feeder Caps, 4 End Caps and Screws.

Dimming Options

1. DALI Dimming : DALI Driver 24V 4 CHANNEL + Switch DALI MCU. Suitable with Drivers to Page : 487 | 488
2. BLUETOOTH Dimming : On-Off Driver 24V+OT Wi DIM 5 CHANNEL (CASAMBI App). Suitable with Drivers to Page : 486 | 488



Top bending IP67 CE 120° UL DIMMABLE 5 RoHS LM80

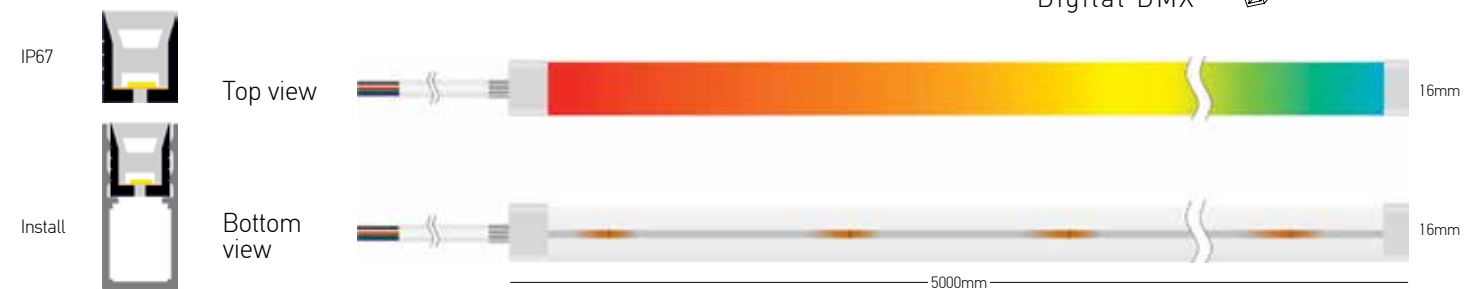
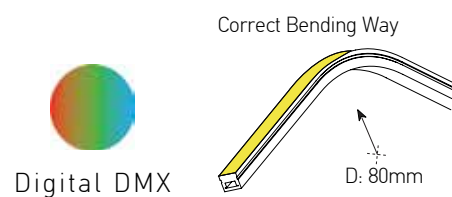


R:50Lm/m G:130Lm/m B:36Lm/m

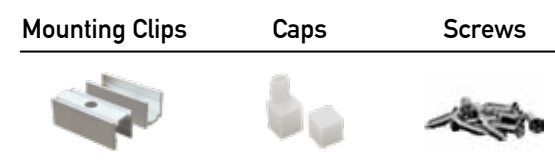
16x20mm Digital Colorful NEON

DMX Controlled RGBW

- 15W/m 70 LEDs/m


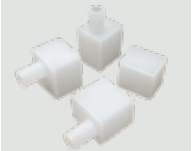



Code	IP	Kelvin	Watt	Lm/m	Lumen Efficiency
LS76	67	RGB+3000	15W/m	391	26Lm/W
					SDCM <5
					Cri 90
					LEDs/m 70
					Voltage DC24V
					Dimensions L: 5000mm
					W: 16mm
					H: 20mm
					Unit Cut 100mm
					Life Span 30000H
					Special Feature UV resistant
					Built-in IC/SM18522PS
					DMX512
					10pix/m
					PPM



*The package includes 10 Mounting Clips, 2 Straight Feeder Caps, 4 End Caps and Screws.

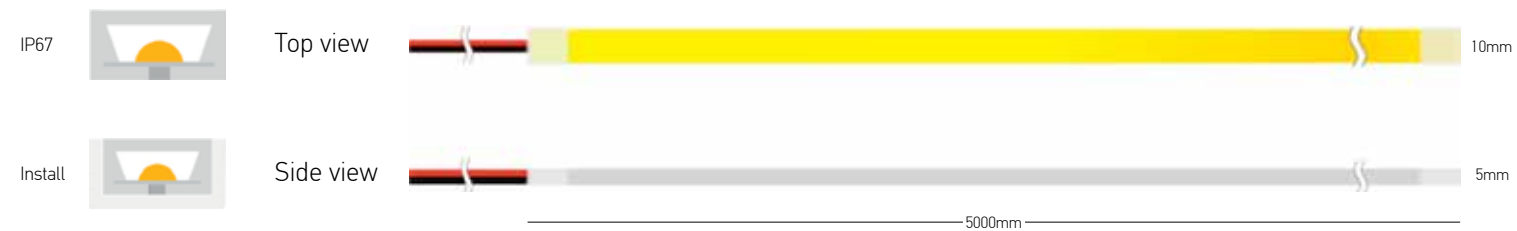
Accessories For LS76

 Aluminium Mounting Clips (10pcs) Dimensions L: 2.8cm W: 17mm H: 11mm Code CLS76	 End Caps (4 pcs) Straight Feeder Caps (2pcs) Vertical Feeder Caps (2pcs) Horizontal Feeder Caps (2pcs) Code ECLS76	 Aluminium Profile Dimensions L: 100cm W: 17mm H: 45mm Code ALMLS76
---	--	--



10x05mm COB NEON Strip - Top Bending

-10W/m 480 LEDs/m



Code	IP	Kelvin	Watt	Lm/m	Lumen Efficiency	SDCM	Cri	LEDs/m	Voltage	Dimensions	Unit Cut	Life Span	Special Feature
LS63	67	2700	10W/m	760	81Lm/W	<5	90	480	DC24V	L: 5000mm W: 10mm H: 5mm	50mm	30000H	UV resistant
LS64	67	3000	10W/m	780									
LS65	67	4000	10W/m	810									



*The package includes 10 Mounting Clips, 2 Straight Feeder Caps, 6 End Caps and Screws.

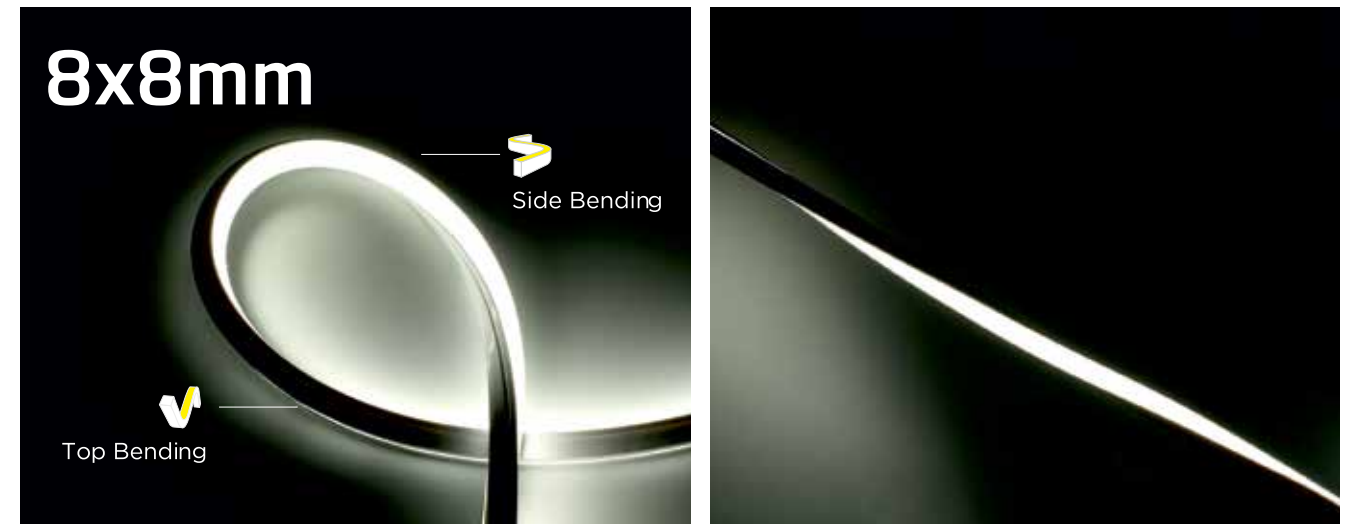
Accessories For LS63 - LS64 - LS65



Aluminium Mounting Clips (10pcs)
Code CL1010

End Caps (6 pcs)
Straight Feeder Caps (4pcs)
Code ECLS1010

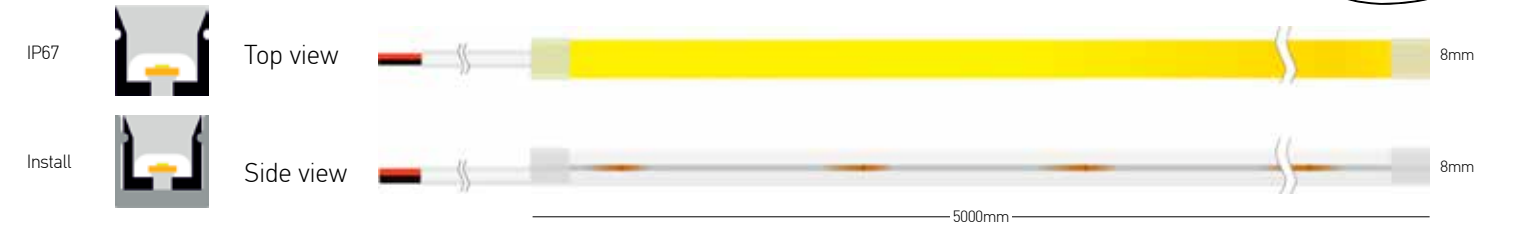
Aluminium Profile
Dimensions L: 100cm W: 12mm H:5mm
Code ALM1010



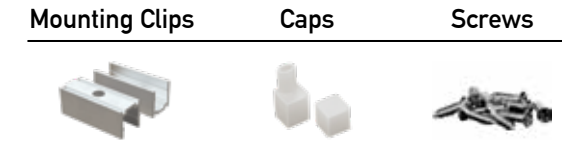
8x8mm Mini Cut NEON Strip - 3D Bending

Top & Side Bending intergrated

-6W/m 238 LEDs/m



Code	IP	Kelvin	Watt	Lm/m	Lumen Efficiency	SDCM	Cri	LEDs/m	Voltage	Dimensions	Unit Cut	Life Span
LS61	67	2700	6W/m	288	50Lm/W	<5	90	238	DC24V	L: 5000mm W: 8mm H: 8mm	29.4mm	30000H
LS62	67	3000	6W/m	300								



*The package includes 10 Mounting Clips, 2 Straight Feeder Caps, 4 End Caps and Screws.

Accessories For LS61 - LS62



Aluminium Mounting Clips (10pcs)
Dimensions L: 2cm W: 9mm H:9mm
Code CL0808

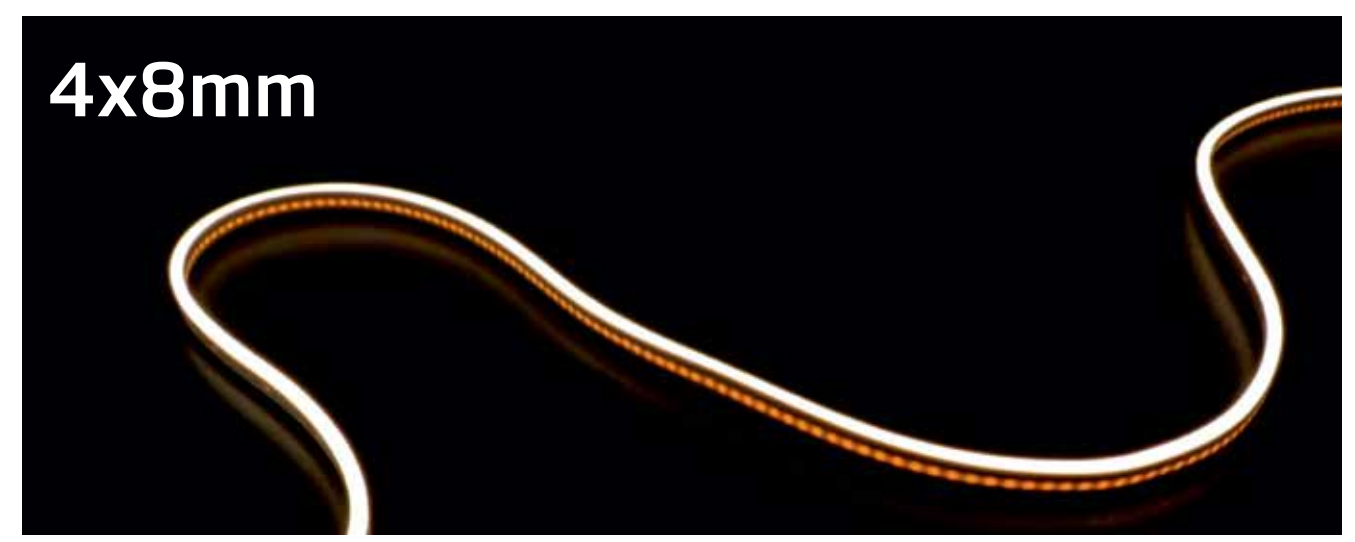
End Caps (6 pcs)
Straight Feeder Caps (4pcs)
Code ECLS0808

Aluminium Profile
Dimensions L: 200cm W: 9mm H:9mm
Code ALS0808

Bendable INOX Profile
Dimensions L: 100cm W: 12mm H:10mm
Code FPL0808



Top bending

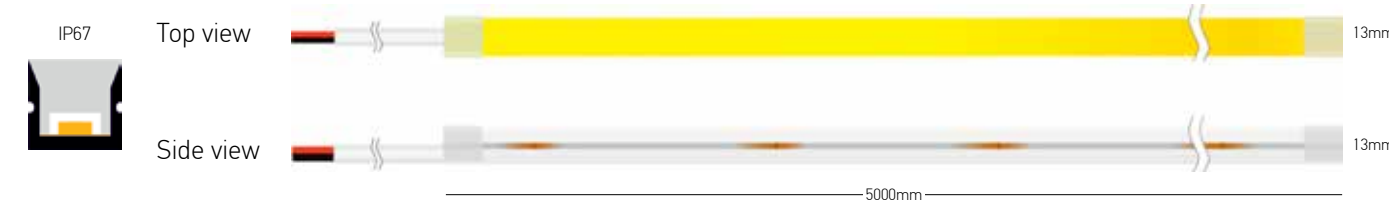
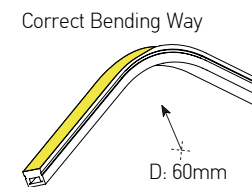


Side bending



13x13mm White NEON Strip - Top Bending

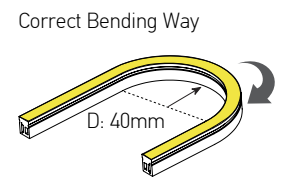
-9W/m 112 LEDs/m



Code	IP	Kelvin	Watt	Lm/m	Lumen Efficiency	55Lm/W
LS14	67	3000	9W/m	468	SDCM	<3
LS15	67	4000	9W/m	495	Cri	90
					LEDs/m	112
					Voltage	DC24V
					Dimensions	L: 5050mm
						W: 13mm
						H: 13mm
					Unit Cut	55.5mm
					Life Span	20000H
					Special Feature	UV resistant
						Chemical resistant

4x8mm White NEON Strip - Side Bending

-6W/m 480 LEDs/m

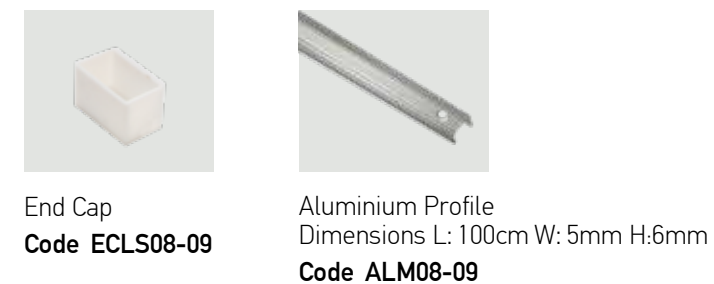


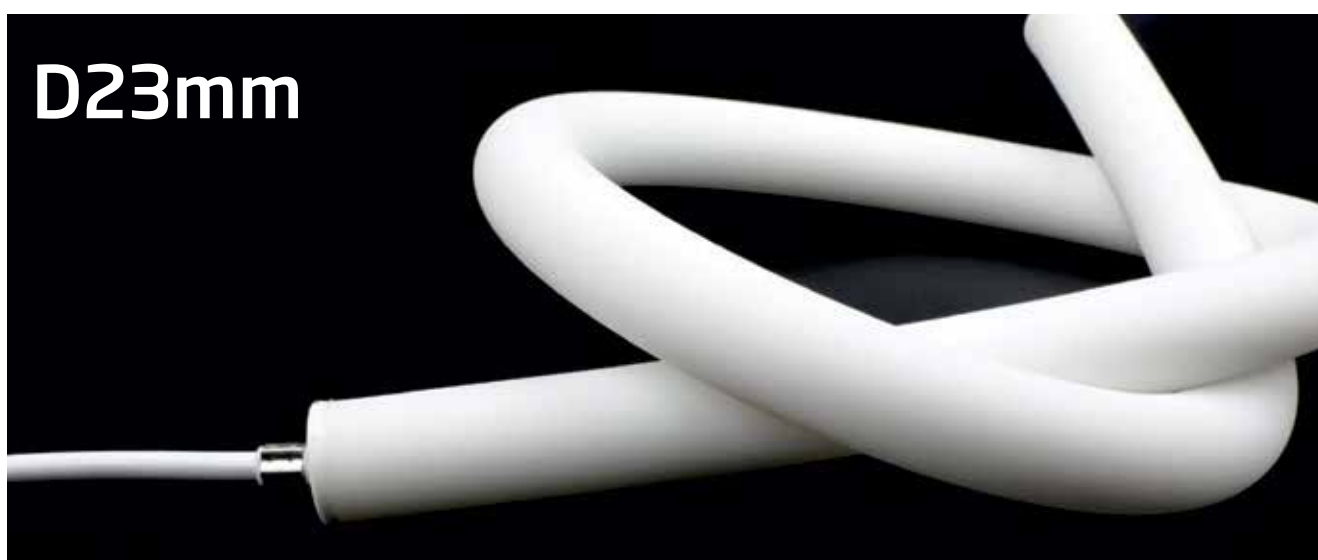
Code	IP	Kelvin	Watt	Lm/m	Lumen Efficiency	42Lm/W
LS08	67	2700	6W/m	240	SDCM	<3
LS09	67	3000	6W/m	256	Cri	90
LS16	67	4000	6W/m	270	LEDs/m	480
					Voltage	DC24V
					Dimensions	L: 5000mm
						W: 4mm
						H: 8mm
					Unit Cut	25mm
					Life Span	20000H
					Special Feature	UV resistant
						Chemical resistant

Accessories For LS14 - LS15



Accessories For LS08 - LS09 - LS16





D23mm

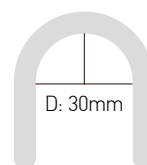
Free Bending



D 23mm Shapeable Bendable 360° Lighting
Free Bending Lighting Tube

-14W/m 280 LEDs/m

Correct Bending Way



Code	IP	Kelvin	Watt	Lm/m	Lumen Efficiency
LS77	67	3000	14W/m	990	70Lm/W
					SDCM <5
					Cri 90
					LEDs/m 280
					Voltage DC24V
					Dimensions L: 5000mm
					Ø: 23mm
					Unit Cut 5mm
					Life Span 30000H
					Special Feature UV resistant
					Salt resistant
					Flame Retardant



*The package includes 5 Mounting Clips . 2 Input Caps . 2 End Caps and Screws.

Accessories For LS77



End Caps (6 pcs)
Input Caps (4pcs)
Code ECLS77

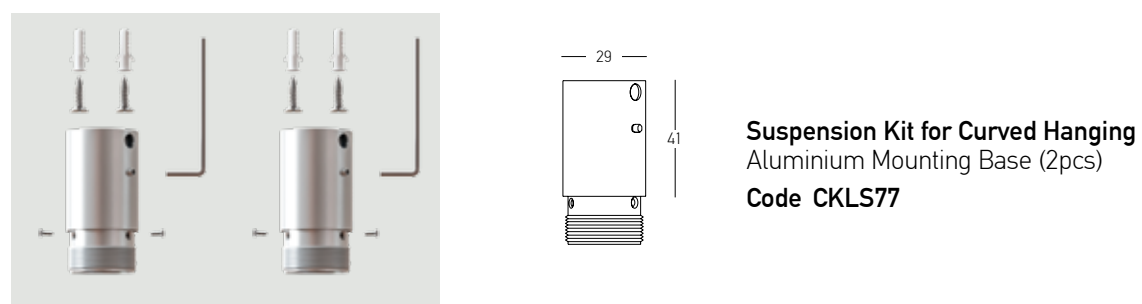
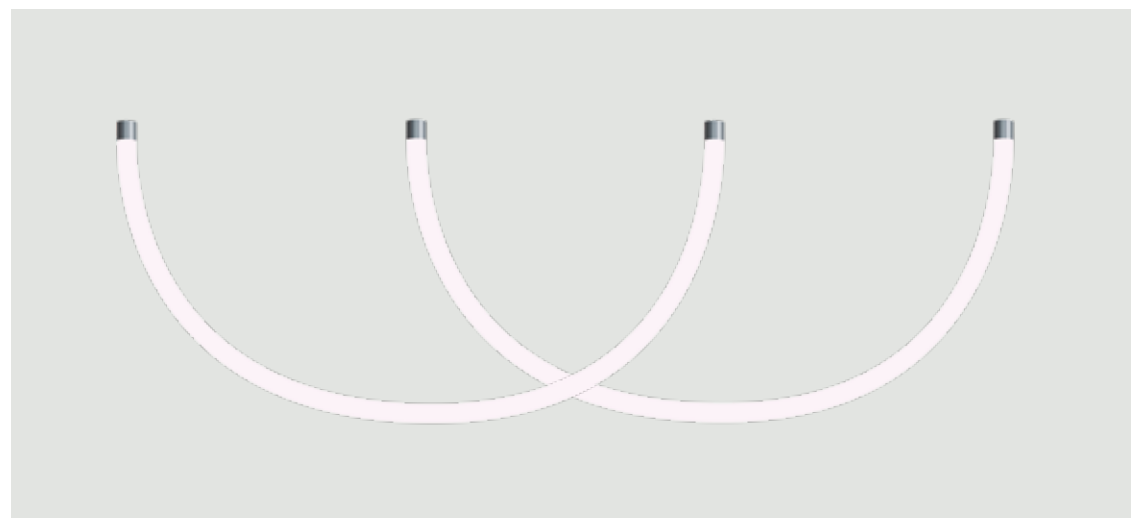
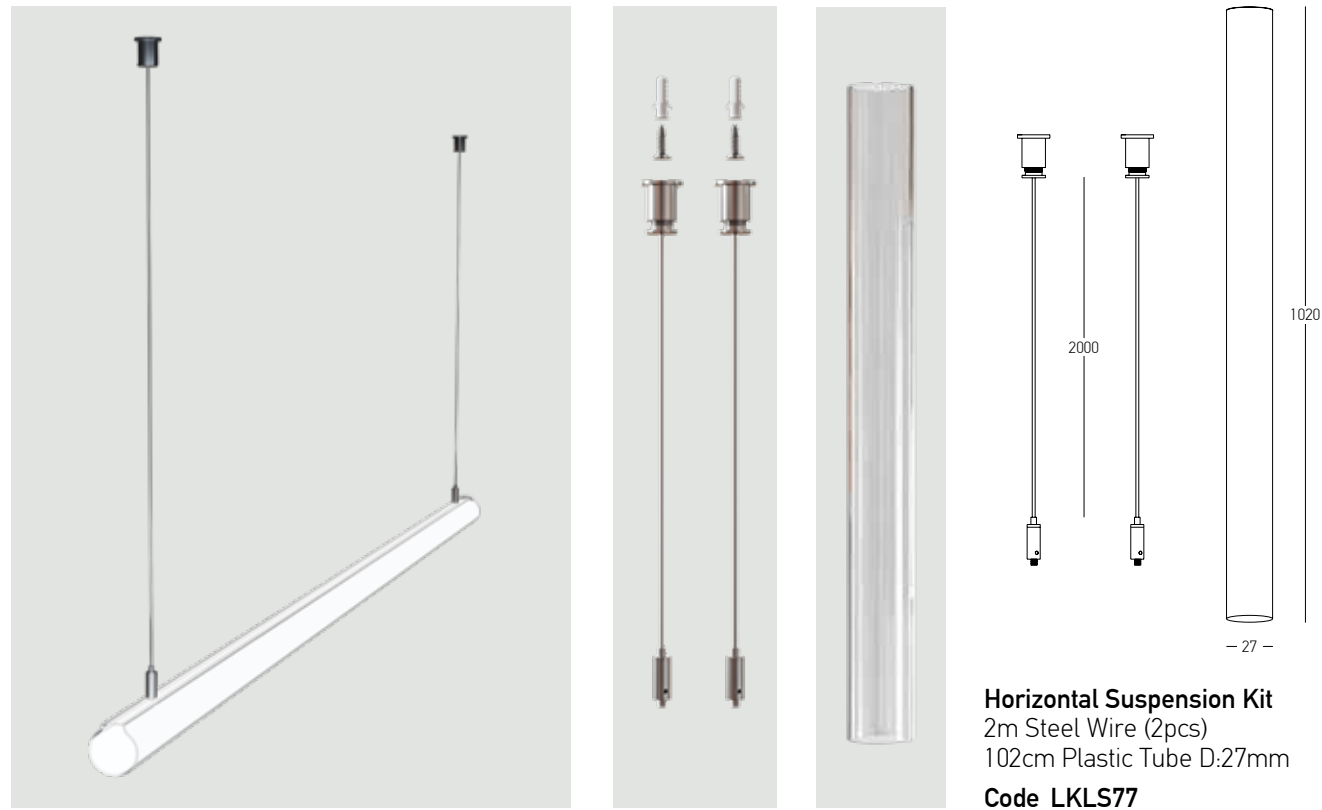


Plastic Mounting Clips (10pcs)
Code CLS77



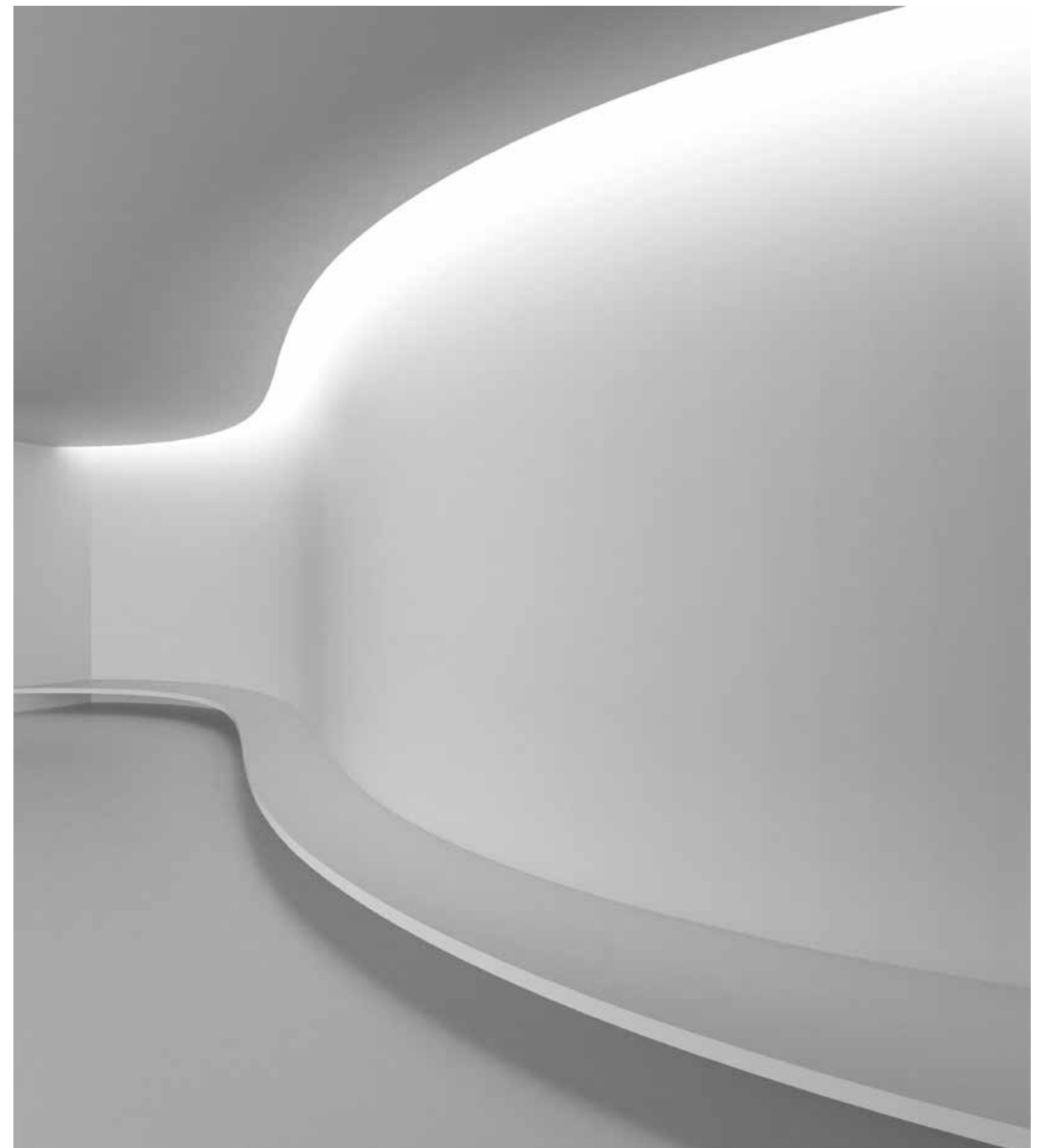
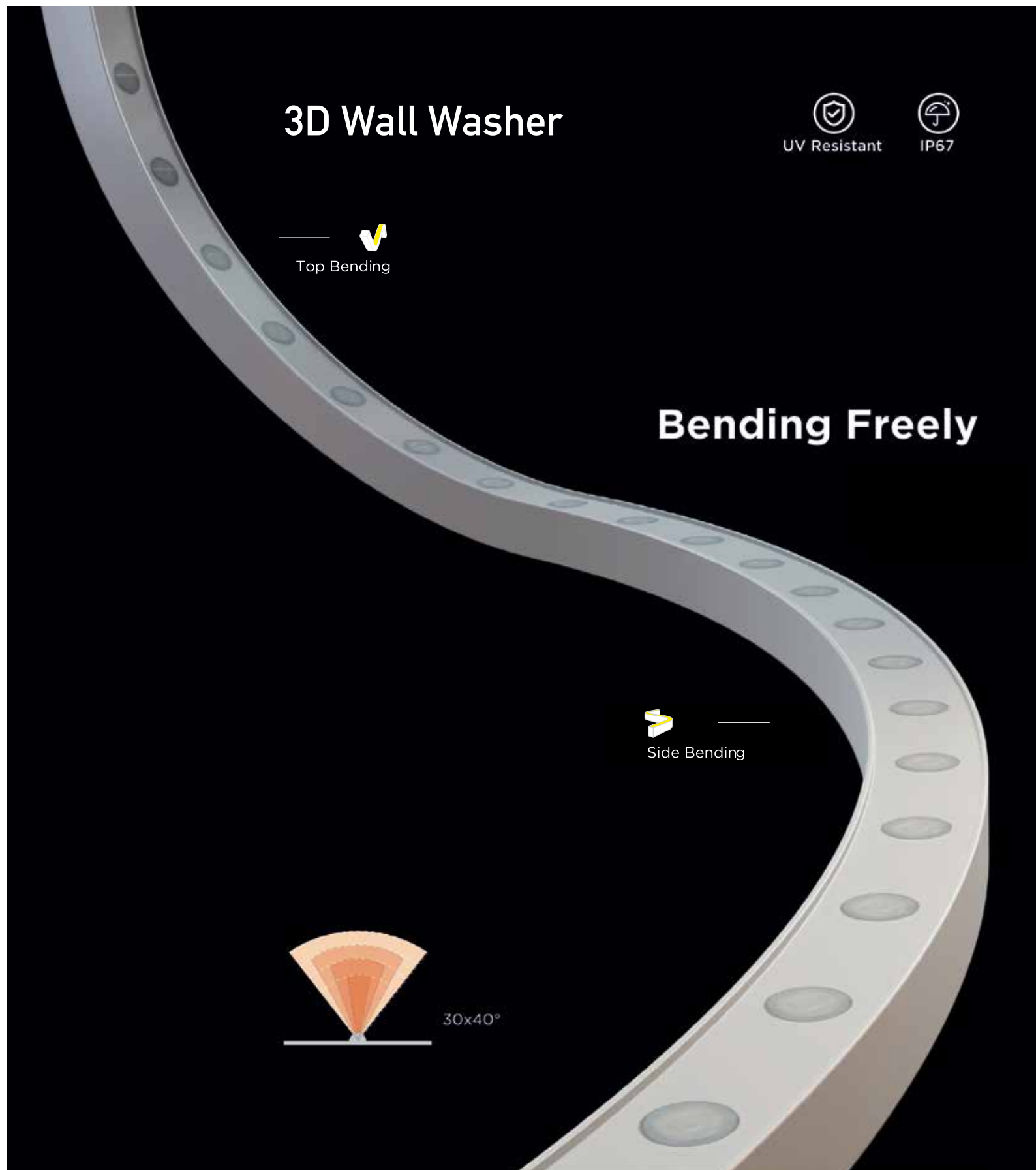
Bend it. Mount it. Perfect it.

Free-bending LED lighting tube offers ultimate flexibility, allowing you to shape it freely and install it as either a pendant fixture or a ceiling-mounted (surface-mounted) solution. Using a transparent plastic tube for support, combined with either a vertical or horizontal suspension kit with steel wire, and an aluminium mounting base, the system adapts seamlessly to any design requirement. From linear drops to dynamic curves, it enables creative, professional-grade lighting installations with ease and precision.



IP67 360° Lighting tube Installations





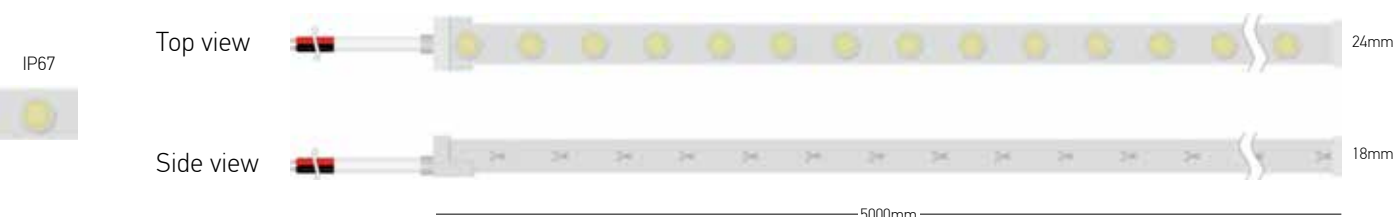
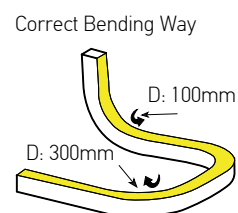


3D bending



24x18mm 30x40° Wall Washer - 3D Bending

-26W/m 24 LEDs/m



Code	IP	Kelvin	Watt	Lm/m	Lumen Efficiency	SDCM	Cri	LEDs/m	Voltage	Dimensions	Unit Cut	Beam Angle	Life Span
LS78	67	3000	26W/m	1610	62Lm/W	<5	90	24	DC24V	L: 5000mm W: 24mm H: 18mm	41.6mm	30x40°	30000H



*The package includes 10 Mounting Clips, 2 Straight Feeder Caps, 4 End Caps and Screws.

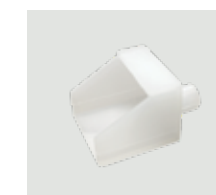
Accessories For LS78



Side-Right Feeder Cap (1pc)
Code FBL578



Side-Left Feeder Cap (1pc)
Code FKLS78



Straight Feeder Cap (1pc)
Code FSL578



Bottom Feeder Cap (1pc)
Code FBPL578



End Cap (1pc)
Code ECLS78



Aluminium Mounting Clips (10pcs)
Dimensions L: 30cm W: 26mm H:20mm
Code CLS78

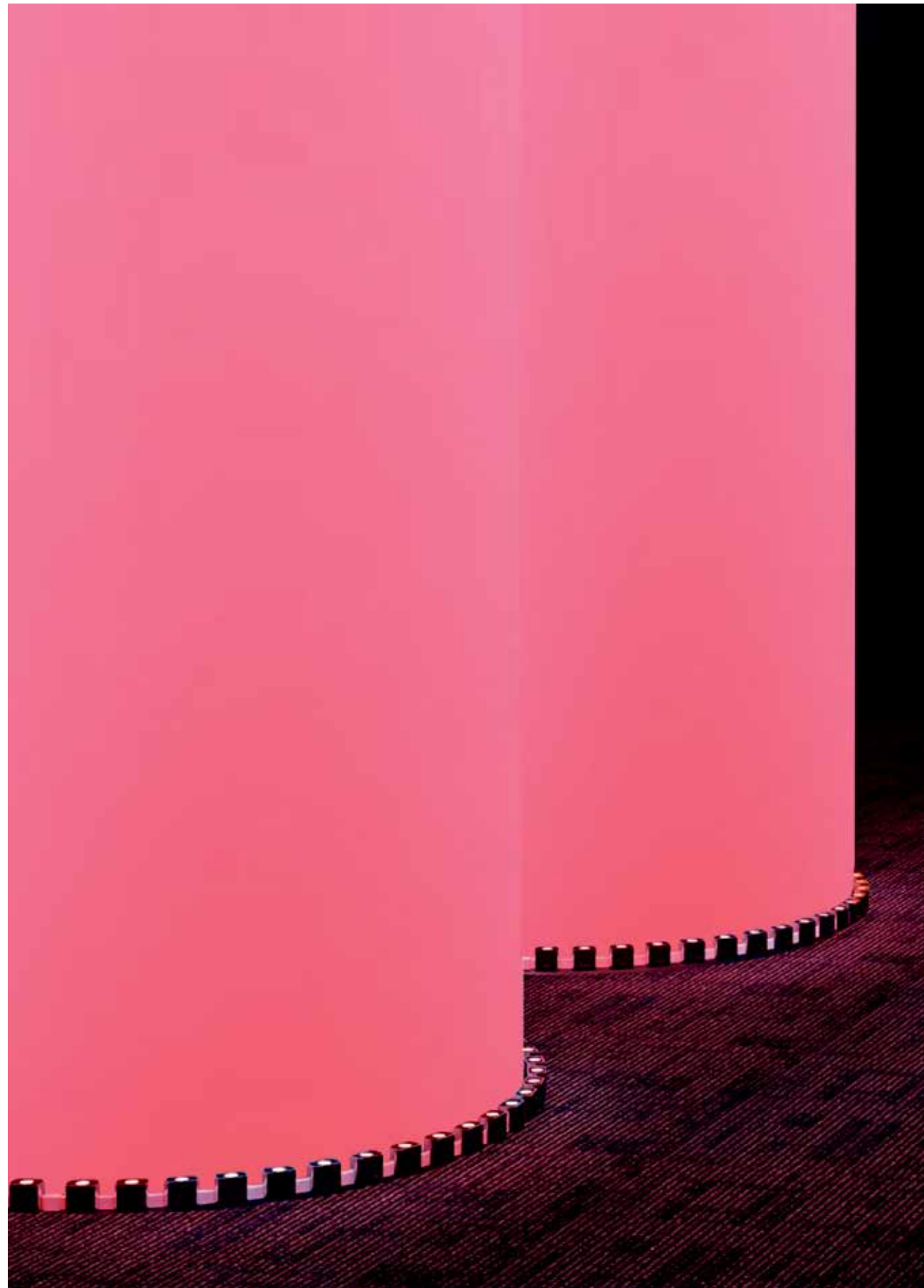


Bendable Aluminium Profile
Dimensions L: 100cm W: 26mm H:20mm
Code FPLS78



Aluminium Profile
Dimensions L: 100cm W: 27mm H:20mm
Code ALMLS78

IP67 RGBW Module Wall Washer

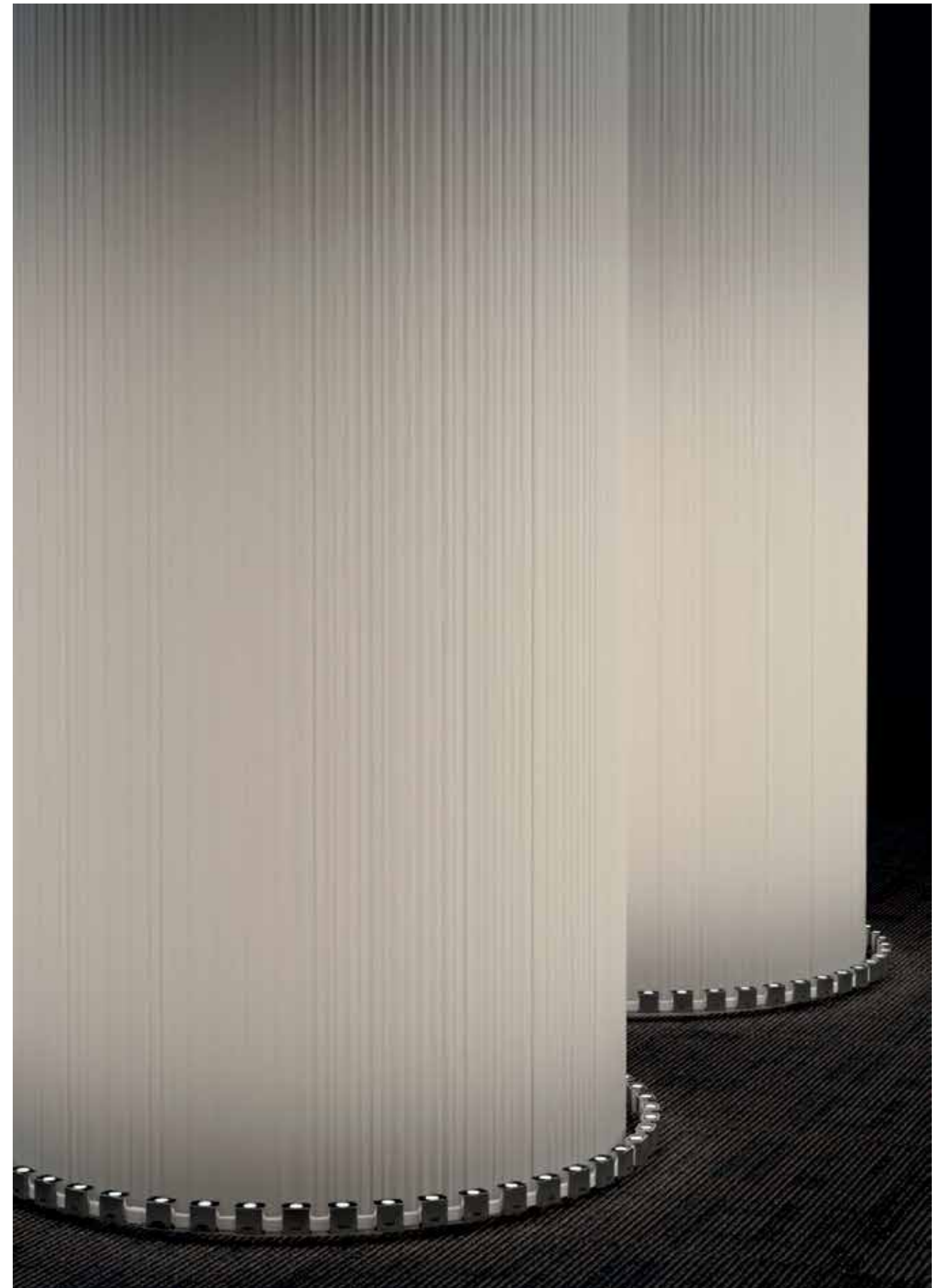


R:120Lm/m

G:250Lm/m

B:75Lm/m

IP67 Module Wall Washer





Side bending

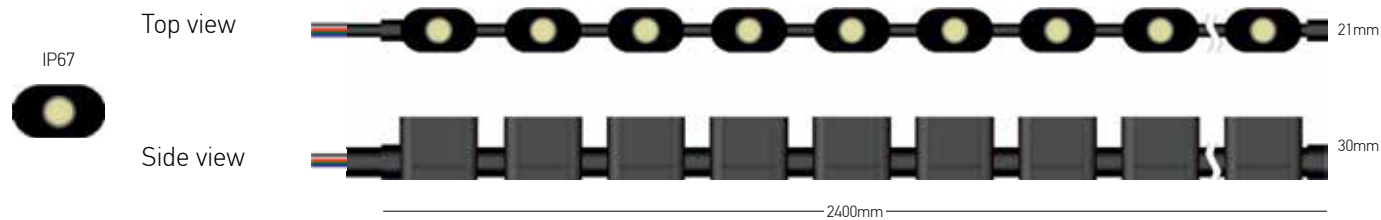
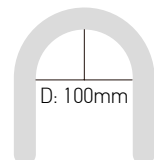


21x30mm RGBW Module Wall Washer

-36W/m 20 LEDs/m



Correct Bending Way



Code	IP	Kelvin	Watt	Lm/m	Lumen Efficiency	24Lm/W
LS80	67	RGB+3000	36W/m	855	SDCM	<3
					Cri	80
					LEDs/m	20
					Voltage	DC24V
					Dimensions	L: 2400mm W: 21mm H: 30mm
					Unit Cut	1 Module 1 Cut
					Beam Angle	30x40°
					Life Span	50000H

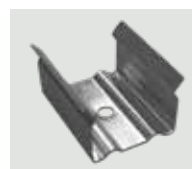
Dimming Options

1. DALI Dimming : DALI Driver 24V 4 CHANNEL + Switch DALI MCU. Suitable with Drivers to Page : 487 | 488
2. BLUETOOTH Dimming : On-Off Driver 24V+OT Wi DIM 5 CHANNEL (CASAMBI App). Suitable with Drivers to Page : 486 | 488

Accessories For LS79-80



Anti-Glare Cover
Code AGLS79-80



Stainless Steel Mounting Clip (1pc)
Code CLS79-80



Bendable Aluminium Profile
Dimensions L: 100cm W: 23mm H: 13mm
Code FPLS79-80



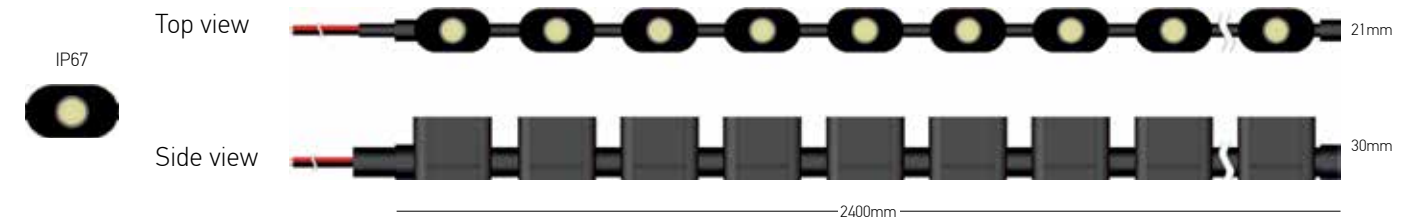
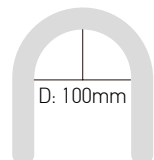
Side bending



21x30mm Module Wall Washer

-36W/m 20 LEDs/m

Correct Bending Way



Code	IP	Kelvin	Watt	Lm/m	Lumen Efficiency	63Lm/W
LS79	67	3000	36W/m	2280	SDCM	<3
					Cri	90
					LEDs/m	20
					Voltage	DC24V
					Dimensions	L: 2400mm W: 21mm H: 30mm
					Unit Cut	1 Module 1 Cut
					Beam Angle	30x40°
					Life Span	50000H

Accessories For LS79-80



End Cap (1pc)
Code ECLS79-80



Side-Right Feeder Cap (1pc)
Code FBLS79-80



Side-Left Feeder Cap (1pc)
Code FKLS79-80



Straight Feeder Cap (1pc)
Code FSLS79-80

20. COINS-DRIVERS & SENSORS



REFERENCE



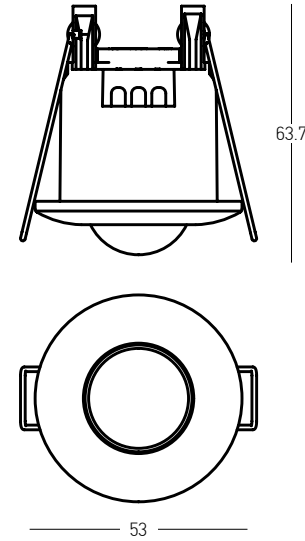
INSTALLATION

Trimless | Recessed



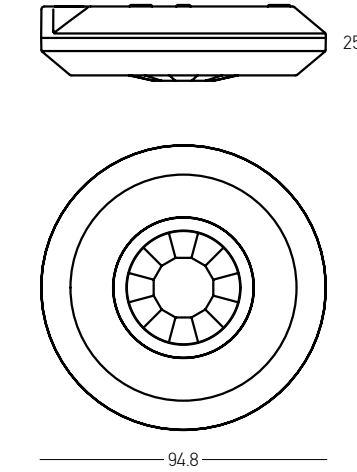
Dimming On-Off, Dali
CCT 3000K
IP Rating 54-65

INFRARED RECESSED MOTION SENSOR



Rated Load 800W
 Input 220-240V, 50/60Hz
 Ambient light <5-2000 Lux
 Time Delay 5sec - 5min (Adjustable)
 Detection Distance 6m MAX - 360°
 Installation Height 1.5-3.5m
 Dimensions Ø: 53mm H: 63.7mm
 Cutting Hole Ø: 43mm
 IP 20
 Material Plastic
 Depth Required 55mm
 Color White / **Code 25338**

INFRARED CEILING MOTION SENSOR



Rated Load 800W
 Input 220-240V, 50/60Hz
 Ambient light <5-2000 Lux
 Time Delay 5sec - 5min (Adjustable)
 Detection Distance 8m MAX - 360°
 Installation Height 1.5-3.5m
 Dimensions Ø: 94.8mm H: 25.3mm
 IP 20
 Material Plastic
 Color White / **Code 25339**

UNDERSTANDING THE CONTROLS

LUX-LIGHT LEVEL ADJUSTMENT CONTROL

Adjusts the light level at which the Security Sensor operates.

Adjust to ☼, the unit will operate day and night. Adjust to ☾, the unit will operate only at night when movement is detected.

TIME "ON" ADJUSTMENT

Adjust the duration the light remains ON from approximately 10 seconds up to 7 minutes. Turn clockwise to increase ON-time.

Ideal setting is about 10 o'clock position (approximately 2 minutes).

While movement is detected within sensor range, the light will remain ON.

When no further movement is detected, the light will switch OFF after the pre-set time has elapsed.



UNDERSTANDING THE CONTROLS

LUX-LIGHT LEVEL ADJUSTMENT CONTROL

Turn LUX knob clockwise to the maximum ☼

Turn time knob anti-clockwise to the minimum.

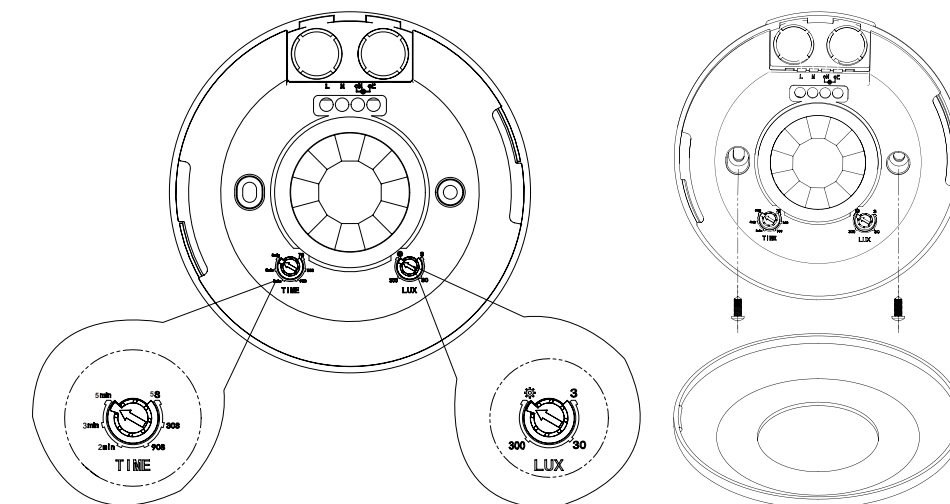
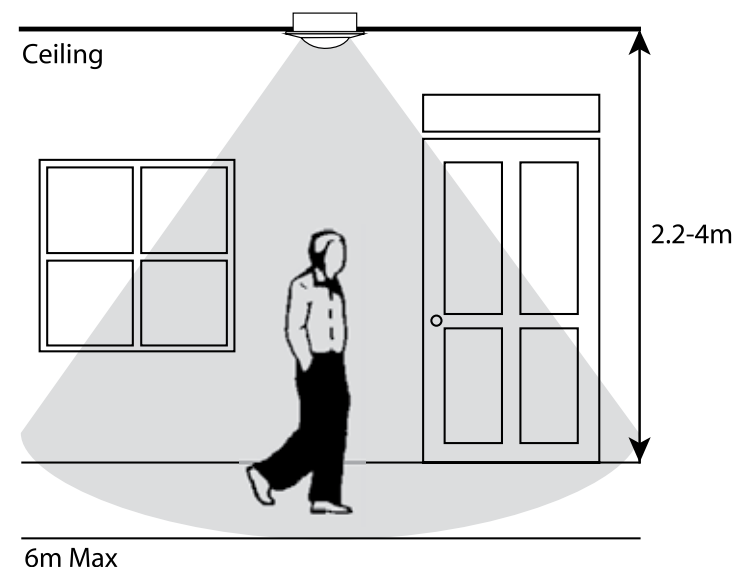
TIME "ON" ADJUSTMENT

Adjust the duration the light remains ON from approximately 5 seconds up to 5 minutes. Turn clockwise to increase ON-time.

Ideal setting is about 10 o'clock position (approximately 2 minutes).

While movement is detected within sensor range, the light will remain ON.

When no further movement is detected, the light will switch OFF after the pre-set time has elapsed.



Code	Description	Kelvin	Lm/m
CN5092715	PL-CN50-COB-1400-927-15D-G3	2700	1000
CN5092724	PL-CN50-COB-1400-927-24D-G3	2700	1000
CN5092740	PL-CN50-COB-1400-927-40D-G3	2700	1000
CN5093015	PL-CN50-COB-1400-930-15D-G3	3000	1050
CN5093024	PL-CN50-COB-1400-930-24D-G3	3000	1050
CN5093040	PL-CN50-COB-1400-930-40D-G3	3000	1050
CN5094015	PL-CN50-COB-1400-940-15D-G3	4000	1100
CN5094024	PL-CN50-COB-1400-940-24D-G3	4000	1100
CN5094040	PL-CN50-COB-1400-940-40D-G3	4000	1100

Life Span : 50000H

*7 Years Guarantee when combined with OSRAM drivers



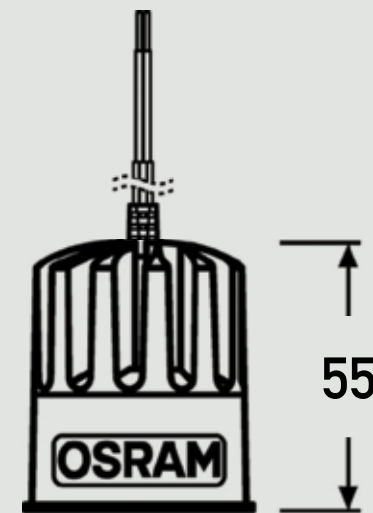
Power 12.6W
 Input 36.5V | 350mA
 Dimensions Ø: 50mm H: 55mm
 CRI 90
 IP 20
 Material Aluminium
 Dimming Options On-Off, Phase-Cut, DALI-Push Button

SUGGESTED LAMP-DRIVERS **OSRAM**



Phase Cut Driver Code D-OTE-18
 DALI Driver Code 4062172227735
 On-Off Driver Code 6977770430235

3rd Generation
Better Efficiency



Code	Description	Kelvin	Lm/m
CN3592736	PL-CN35-COB-600-927-36D-G3	2700	596
CN3593036	PL-CN35-COB-600-930-36D-G3	3000	627
CN3594036	PL-CN35-COB-600-940-36D-G3	4000	659

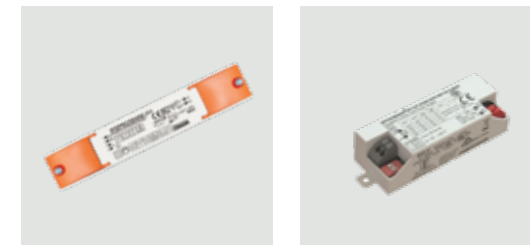
Life Span : 50000H

*7 Years Guarantee when combined with OSRAM drivers



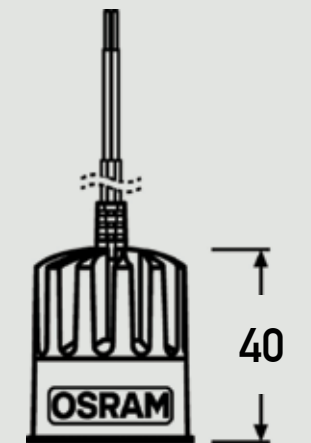
Power 5.9W
 Input 32.6V | 180mA
 Dimensions Ø: 34mm H: 40mm
 CRI 90
 IP 20
 Material Aluminium
 Dimming Options On-Off, DALI-Push Button

SUGGESTED LAMP-DRIVERS **OSRAM**



DALI Driver Code 4062172151252
 On-Off Driver Code D-OT FIT8

3rd Generation
Better Efficiency



ON-OFF DRIVERS

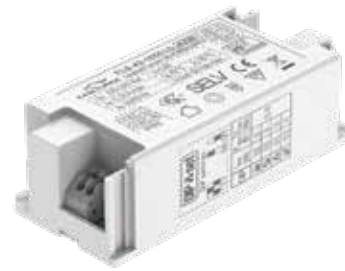
Power 10W / 14W
 Input 220-240V, 50/60Hz
 Irated 250mA / 350mA
 Urated 50V MAX
 Dimensions W: 4.25cm H: 2cm L: 4.75cm
 Non Dimmable ☒
 Material Plastic
 Special Feature IP 20
 Color White / Code 28003210

TRIDONIC



Power 42W
 Input 220-240V, 50/60Hz
 Irated 300-1050mA
 Urated 9-52V
 Dimensions W: 4.3cm H: 3cm L: 9.7cm
 Non Dimmable ☒
 Material Plastic
 Special Feature IP 20
 Color White / Code FLS42

EAGLE RISE



Power 42W
 Input 220-240V, 50/60Hz
 Irated 150-1050mA
 Urated 2.5-52V
 Dimensions W: 4.3cm H: 3cm L: 9.7cm
 DALI Dimming ☉ Push Button - DALI2
 Material Plastic
 Special Feature IP 20
 Color White / Code FLS42D

EAGLE RISE



DALI DRIVERS

Power 10W
 Input 220-240V, 50/60Hz
 Irated 150-500mA NFC
 Urated 2.5-45V
 Dimensions W: 6cm H: 2.4cm L: 6cm
 DALI Dimming ☉ Push Button - DALI2
 Material Plastic
 Special Feature IP 20
 Color White / Code KGP-10D

KGP



Power 15W
 Input 220-240V, 50/60Hz
 Irated 350 mA
 Urated 24-42V
 Dimensions W: 4.3cm H: 2.2cm L: 9cm
 Non Dimmable ☒
 On-Off ELEMENT 15/220-240/350
 Material Plastic
 Special Feature IP 20
 Color White / Code 6977770430235

OSRAM



Power 21W
 Input 220-240V, 50/60Hz
 Irated 150-500mA
 Urated 10-42V
 Dimensions W: 4.3cm H: 3cm L: 13.1cm
 Non Dimmable ☒
 Material Plastic
 Special Feature IP 20
 Color White / Code FLS21

EAGLE RISE



Power 12W
 Input 220-240V, 50/60Hz
 Irated 120-350mA
 Urated 9-42V
 Dimensions W: 4cm H: 2.2cm L: 11.9cm
 DALI Dimming ☉ Push Button - DALI2
 Material Plastic
 Special Feature IP 20
 Color White / Code FLS12D

EAGLE RISE



Power 18W
 Input 220-240V, 50/60Hz
 Irated 150-1050mA
 Urated 7.5-54V
 Dimensions W: 5.3cm H: 3cm L: 9.5cm
 DALI Dimming ☉ Push Button - DALI2
 Material Plastic
 Special Feature IP 20
 Color White / Code 4062172227735

OSRAM



Power 8W
 Input 220-240V, 50/60Hz
 Irated 90/120/150/180 mA
 Urated 30-42V
 Dimensions W: 3cm H: 2.6cm L: 10.4cm
 Non Dimmable ☒
 Material Plastic
 Special Feature IP 20
 Color White / Code D-OT FIT8

OSRAM



Power 7W
 Input 220-240V, 50/60Hz
 Irated 100-700mA NFC
 Urated 2.5-20V
 Dimensions W: 2.7cm H: 1.7cm L: 5.6cm
 Non Dimmable ☒
 Material Plastic
 Special Feature IP 20
 Color White / Code KGP7

KGP



Power 10W
 Input 220-240V, 50/60Hz
 Irated 150-700mA NFC
 Urated 2.5-45V
 Dimensions W: 3cm H: 2.2cm L: 16.6cm
 DALI Dimming ☉ Push Button - DALI2
 Material Plastic
 Special Feature IP 20
 Color White / Code 4062172151252

OSRAM



24V ON-OFF DRIVERS

Power 30W
 Input 220-240V, 50/60Hz
 Output 24V
 Dimensions W: 4.1cm H: 2.7cm L: 14.5cm
 Non Dimmable ☒ On-Off
 ELEMENT 30/220-240/24 G2
 Material Plastic
 Special Feature IP 20
 Color White / Code 4052899605503

OSRAM



Power 60W
 Input 220-240V, 50/60Hz
 Output 24V
 Dimensions W: 4.1cm H: 3.1cm L: 20.1cm
 Non Dimmable ☒ On-Off
 ELEMENT 60/220-240/24 G2
 Material Plastic
 Special Feature IP 20
 Color White / Code 4052899605527

OSRAM



Power 120W
 Input 220-240V, 50/60Hz
 Output 24V
 Dimensions W: 4.1cm H: 3.1cm L: 26cm
 Non Dimmable ☒ On-Off
 ELEMENT 120/220-240/24 G2
 Material Plastic
 Special Feature IP 20
 Color White / Code 4052899605541

OSRAM



Power 180W
 Input 220-240V, 50/60Hz
 Output 24V
 Dimensions W: 4cm H: 3.1cm L: 30cm
 Non Dimmable ☒ On-Off
 ELEMENT 180/220-240/24 G2
 Material Plastic
 Special Feature IP 20
 Color White / Code 4052899605565

OSRAM



Power 250W
 Input 220-240V, 50/60Hz
 Output 24V
 Dimensions W: 3.5cm H: 5cm L: 37.5cm
 Non Dimmable ☒ On-Off
 ELEMENT 250/220-240/24 G2
 Material Plastic
 Special Feature IP 20
 Color White / Code 4062172333467

OSRAM



Power 200W
 Input 220-240V, 50/60Hz
 Output 24V
 Dimensions W: 6.3cm H: 3.6cm L: 20cm
 Non Dimmable ☒ On-Off
 Material Metal
 Special Feature IP 67
 Color White / Code XLG-200

MW



Power 60W
 Input 220-240V, 50/60Hz
 Output 24V
 Dimensions W: 3cm H: 1.8cm L: 35cm
 DALI Dimming ☉ Push Button - DALI2
 1 CHANNEL
 Material Plastic
 Special Feature IP 20
 Color White / Code Xi24-60D

PHILIPS



Power 200W
 Input 220-240V, 50/60Hz
 Output 24V
 Dimensions W: 4cm H: 2.2cm L: 40cm
 DALI Dimming ☉ Push Button - DALI2
 1 CHANNEL
 Material Plastic
 Special Feature IP 20
 Color White / Code Xi24-200D

PHILIPS



Power 80W
 Input 220-240V, 50/60Hz
 Output 24V
 Dimensions W: 3.2cm H: 2.2cm L: 34.6cm
 DALI Dimming ☉ Push Button - DALI2
 4 CHANNEL
 Material Plastic
 Special Feature IP 20
 Color White / Code 4062172274302

OSRAM



24V DALI DRIVERS

Power 100W
 Input 220-240V, 50/60Hz
 Output 24V
 Dimensions W: 3cm H: 1.8cm L: 35cm
 DALI Dimming ☉ Push Button - DALI2
 1 CHANNEL
 Material Plastic
 Special Feature IP 20
 Color White / Code Xi24-100D

PHILIPS



Power 150W
 Input 220-240V, 50/60Hz
 Output 24V
 Dimensions W: 5cm H: 3.1cm L: 26.2cm
 DALI Dimming ☉ Push Button - DALI2
 1 CHANNEL
 Material Metal
 Special Feature IP 67
 Color White / Code AC-MS-150

EAGLE RISE



PHASECUT | 1-10V | BLUETOOTH DRIVERS

Power 100W
 Input 220-240V, 50/60Hz
 Output 24V
 Dimensions W: 5cm H: 3cm L: 23cm
 Dimmable Triac, 1-10 ☉
 Material Metal
 Special Feature IP 20
 Color Metal / **Code Z89100VND**



Power 200W
 Input 220-240V, 50/60Hz
 Output 24V
 Dimensions W: 5cm H: 3cm L: 28.7cm
 Dimmable Triac, 1-10 ☉
 Material Metal
 Special Feature IP 20
 Color Metal / **Code Z89200VND**



Power 288W @ 24V
 Input 220-240V, 50/60Hz
 Dimensions W: 2.9cm H: 2.2cm L: 18.6cm
 Bluetooth Dimming ☉
 OT Wi DIM 5 CHANNEL CA
 RGB, RGBW and RGBTW
 Material Plastic
 Special Feature IP 20
 Color White / **Code 6937186115232**

CV dimmers with Bluetooth

OSRAM



Power 288W @ 24V
 Input 220-240V, 50/60Hz
 Dimensions W: 4.2cm H: 2cm L: 17.2cm
 DMX Dimming ☉
 OT DMX DIM 5 CHANNEL
 RGB, RGBW and RGBTW
 Material Plastic
 Special Feature IP 20
 Color White / **Code 6977078993838**

OSRAM



Input 220-240V, 50/60Hz
 Dimensions W: 5cm H: 8cm L: 8cm
 DALI Dimming ☉
 DALI MCU Tunable White Switch
 Material Plastic
 Special Feature IP 20
 Color White / **Code 4052899465916**

OSRAM



PHASECUT | 1-10V DRIVERS

Power 10W
 Input 220-240V, 50/60Hz
 Output 350mA
 Forward Voltage 10-20V
 Dimensions W: 3cm H: 2.1cm L: 13.9cm
 Dimmable PhaseCut, 1-10V
 Material Plastic
 Special Feature IP 20
 Color White / **Code 87500283**

TRIDONIC



Power 15W
 Input 220-240V, 50/60Hz
 Output 350mA
 Forward Voltage 21-46V
 Dimensions W: 3cm H: 2.1cm L: 13.9cm
 Dimmable PhaseCut
 Material Plastic
 Special Feature IP 20
 Color White / **Code 89800255**

TRIDONIC



Power 10W
 Input 220-240V, 50/60Hz
 Output 500mA
 Forward Voltage 14-28V
 Dimensions W: 3cm H: 2.1cm L: 13.9cm
 Dimmable PhaseCut, 1-10V
 Material Plastic
 Special Feature IP 20
 Color White / **Code 87500284**

TRIDONIC



Power 15W
 Input 220-240V, 50/60Hz
 Output 500mA
 Forward Voltage 13.5-30V
 Dimensions W: 3cm H: 2.1cm L: 13.9cm
 Dimmable PhaseCut
 Material Plastic
 Special Feature IP 20
 Color White / **Code 89800256**

TRIDONIC



Power 18W
 Input 220-240V, 50/60Hz
 Output 350mA
 Forward Voltage 27-54V
 Dimensions W: 5.3cm H: 3cm L: 9.5cm
 PhaseCut Dimming ☉
 OTe 18/220-240/350 PC
 Material Plastic
 Special Feature IP 20
 Color White / **Code D-O TE-18**

OSRAM



Power 15W
 Input 220-240V, 50/60Hz
 Output 700mA
 Forward Voltage 10-21.5V
 Dimensions W: 3cm H: 2.1cm L: 13.9cm
 PhaseCut Dimming ☉
 Material Plastic
 Special Feature IP 20
 Color White / **Code 89800257**

TRIDONIC



180015 **404**
 180016 **316**
 180017 **404**
 180025 **367**
 180026 **366**
 180027 **366**
 180028 **367**
 1928 **404**
 1928-B **404**
 19151 **204**
 19152 **204**
 19153 **207**
 19154 **207**
 19155 **207**
 19156 **207**
 19158 **204**
 19160 **204**
 19162 **204**
 19164 **204**
 19166 **204**
 19167 **208**
 19168 **208**
 19170 **204**
 19172 **204**
 19400 **250**
 19400-1M **250**
 19400-2M **250**
 19400-4M **250**
 19401 **250**
 19401-1M **250**
 19401-2M **250**
 19401-4M **250**
 19402-L **250**
 19402-R **250**
 19403-L **250**
 19403-R **250**
 19404-L **251**
 19404-R **251**
 19405-L **251**
 19405-R **251**
 19406 **250**
 19407 **250**
 19408 **251**
 19409 **251**
 19410 **251**
 19411 **251**
 19412 **251**
 19413 **251**
 19414 **251**
 19415 **251**
 19416 **251**
 19430 **251**
 19431 **251**
 2081 **134**
 2081-D **134**
 2081-W **134**
 2081-WD **134**
 2082B-1 **117**

2082B-2 **117**
 2082B-3 **117**
 2082B-C1 **117**
 2082B-C2 **117**
 2082B-CROSS **117**
 2082B-T **117**
 2082G-1 **113**
 2082G-2 **113**
 2082G-3 **113**
 2082G-C1 **113**
 2082G-C2 **113**
 2082NCK-1 **113**
 2082NCK-2 **113**
 2082NCK-3 **113**
 2082NCK-C1 **113**
 2082NCK-C2 **113**
 2082SP **113**
 2082W-1 **117**
 2082W-2 **117**
 2082W-3 **117**
 2082W-C1 **117**
 2082W-C2 **117**
 2083B-1 **116**
 2083B-2 **116**
 2083B-3 **116**
 2083B-C1 **116**
 2083B-C2 **116**
 2083B-CROSS **116**
 2083B-T **116**
 2083W-1 **116**
 2083W-2 **116**
 2083W-3 **116**
 2083W-C1 **116**
 2083W-C2 **116**
 2084B-1 **118**
 2084B-2 **118**
 2084B-3 **118**
 2084B-C1 **118**
 2084B-C2 **118**
 2084G-1 **112**
 2084G-2 **112**
 2084G-3 **112**
 2084G-C1 **112**
 2084G-C2 **112**
 2084NCK-1 **112**
 2084NCK-2 **112**
 2084NCK-3 **112**
 2084NCK-C1 **112**
 2084NCK-C2 **112**
 2084W-1 **118**
 2084W-2 **118**
 2084W-3 **118**
 2084W-C1 **118**
 2084W-C2 **118**
 2085B-1 **119**
 2085B-2 **119**
 2085B-3 **119**
 2085B-C1 **119**

2085B-C2 **119**
 2085W-1 **119**
 2085W-2 **119**
 2085W-3 **119**
 2085W-C1 **119**
 2085W-C2 **119**
 2086 **126**
 2087 **126**
 2088 **126**
 2089 **126**
 2089-27B **126**
 2089-3W **138**
 2089-4B **126**
 2089-4W **138**
 2090 **129**
 2091 **129**
 2091-27B **129**
 2091-3W **137**
 2091-4B **129**
 2092 **130**
 2092-D **130**
 2093 **130**
 2094 **130**
 2095 **134**
 2095-D **134**
 2096 **140**
 2096-2M **140**
 2096-W **140**
 2096-W2M **140**
 2097 **119**
 2097-B **113**
 2098-B **117**
 2098-G **113**
 2098-NCK **113**
 2098-W **117**
 2099-B **116**
 2099-W **116**
 20101-B **119**
 20101-W **119**
 20102 **119**
 20102-B **113**
 20103 **140**
 20103-W **140**
 20104 **140**
 20104-W **140**
 20105 **140**
 20105-W **140**
 20106 **112**
 20107 **116**
 20107-W **116**
 20108-1B **118**
 20108-1W **118**
 20108-B **118**
 20108-G **112**
 20108-NCK **112**
 20108-W **118**
 20112 **140**
 20113 **140**

20140 **207**
 20177 **132**
 20178 **132**
 20179 **132**
 20180 **132**
 20190 **421**
 20190-H **421**
 20190-S **421**
 20193 **422**
 20193-E **422**
 20194 **418**
 20194-E **418**
 20195 **418**
 20195-E **418**
 20197 **420**
 20197-E **420**
 20198 **423**
 20198-E **423**
 20199 **422**
 20199-E **422**
 20201 **422**
 20201-E **422**
 20202 **423**
 20202 **415**
 20203 **415**
 20203-E **415**
 20204 **415**
 20204-E **415**
 20205 **415**
 20205-E **415**
 20206 **418**
 20206-E **418**
 20271 **360**
 20272 **360**
 20290 **129**
 20291 **129**
 20291-W **137**
 20293 **140**
 20295 **39**
 20296 **39**
 20297 **39**
 20298 **141**
 20299 **141**
 20300 **141**
 20301 **141**
 20302 **141**
 20303 **141**
 20304 **141**
 20305 **141**
 20306-B **142**
 20306-W **142**
 20307-B **142**
 20307-W **142**
 20308-B **142**
 20308-W **142**
 20309-B **142**
 20309-W **142**
 20310-B **142**
 20310-W **142**

20311-B **142**
 20311-W **142**
 20312-B **142**
 20312-W **142**
 20313-B **142**
 20313-W **142**
 20314-B **143**
 20314-W **143**
 20315-B **143**
 20315-W **143**
 20316-B **143**
 20316-W **143**
 20317-B **143**
 20317-W **143**
 20318-B **143**
 20318-W **143**
 20319-B **143**
 20319-W **143**
 20320-B **143**
 20320-W **143**
 20321-B **143**
 20321-W **143**
 20322 **141**
 20323 **141**
 20324 **141**
 20326 **416**
 20326-CC **416**
 20326-SC **416**
 20327 **417**
 20327-W **417**
 20328 **414**
 20328-HC **414**
 20328-OP1 **414**
 20328-OP2 **414**
 20328-VC **414**
 20329 **412**
 20329-E **412**
 20400-BD **133**
 20401-WD **139**
 20402-B **133**
 20403-W **139**
 20404 **139**
 20405 **139**
 20406 **133**
 20407-BD **133**
 20410 **133**
 20411 **133**
 20412 **139**
 20413 **139**
 20414 **139**
 20415 **133**
 22028 **406**
 22090 **166**
 22091 **168**
 22092 **153**
 22093 **153**
 22094 **153**
 22095 **174**

22096 **174**
 22097 **166**
 22097-C **150**
 22097-E **160**
 22098 **168**
 22099 **152**
 22100 **152**
 22101 **152**
 22102 **166**
 22103 **168**
 22104 **171**
 22105 **171**
 22106 **171**
 22107 **171**
 22120 **174**
 22121 **148**
 22133 **390**
 22134 **390**
 22251 **105**
 22252 **105**
 22253 **105**
 22254 **107**
 22255 **107**
 22256 **107**
 22257 **102**
 22258 **102**
 22259 **102**
 22260 **103**
 22260-E **102**
 22260-I **103**
 22261 **102**
 22262 **102**
 22263 **103**
 22264 **102**
 22265 **102**
 22269 **141**
 22269-W **141**
 22270 **176**
 22271 **176**
 22272 **176**
 22273B-1 **148**
 22273B-2 **148**
 22273B-3 **148**
 22274B-1 **150**
 22274B-2 **150**
 22274B-3 **150**
 22275 **148**
 22276 **150**
 22277 **148**
 22278 **150**
 22279 **178**
 22280 **178**
 22281 **178**
 22282 **178**
 22283 **176**
 22284 **178**
 22285 **178**
 22286 **178**

22287 **178**
 22290 **141**
 22291 **141**
 22292 **141**
 22293 **141**
 22294 **141**
 22294-W **141**
 23110 **90**
 23111 **90**
 23112 **90**
 23113 **90**
 23114 **92**
 23115 **92**
 23116 **93**
 23117 **93**
 23118 **85**
 23119 **85**
 23120 **85**
 23121 **84**
 23122 **84**
 23123 **84**
 23124 **88**
 23125 **84**
 23126 **96**
 23127 **96**
 23128 **96**
 23129 **96**
 23130 **84**
 23131 **85**
 23132 **85**
 23133 **84**
 23134 **39**
 23139 **189**
 23140 **189**
 23141 **189**
 23142 **189**
 23143 **189**
 23144 **189**
 23145 **188**
 23146 **188**
 23147 **188**
 23148 **187**
 23149 **187**
 23150 **187**
 23151 **187**
 23152 **186**
 23153 **188**
 23154 **187**
 23155 **186**
 23156 **187**
 23157 **187**
 23159 **97**
 23177 **196**
 23178 **196**
 23179 **196**
 23180 **196**
 23181 **201**
 23182 **198**

23183 **198**
 23184 **199**
 23185 **199**
 23186 **200**
 23187 **200**
 23188 **200**
 23189 **200**
 23220 **399**
 23221 **399**
 23222 **399**
 23223 **399**
 23224 **399**
 23225 **399**
 23226 **399**
 23262 **84**
 23263 **84**
 23264 **88**
 23265 **88**
 23280 **39**
 23295 **189**
 23296 **189**
 23297 **189**
 23300 **88**
 23350 **88**
 2501 **22**
 2501-W **22**
 2502 **22**
 2502-W **22**
 2503 **22**
 2503-W **22**
 2504 **18**
 2504-W **18**
 2505 **18**
 2505-W **18**
 2506 **18**
 2506-W **18**
 2507 **18**
 2507-W **18**
 2508 **38**
 2508-2M **38**
 2508-W **38**
 2509 **38**
 2509-3D **39**
 2509-W **38**
 2510 **38**
 2510-W **38**
 2511 **22**
 2511-W **22**
 2512 **22**
 2512-W **22**
 2513 **23**
 2514 **23**
 2515 **23**
 2516 **22**
 2516-W **22**
 2517 **18**
 2517-W **18**
 2518 **18**

2518-W	18	25209	220	25297	384	25469	79	S058-15	264	S136	302	S194	328	S342	289
2519	19	25210	220	25298	384	25470	79	S058-24	264	S137	304	S195	326	S343	289
2520	19	25211	222	25299	306	25471	79	S058-40	264	S138	304	S196	326	S344	293
2521	19	25212	222	25300	306	25472	79	S059	264	S139	303	S197	259	S345	293
2522	26	25213	223	25301	306	25473	124	S059-15	264	S140	303	S198	259	S346	276
2523	26	25214	223	25304	380	25474	124	S059-24	264	S141	305	S199	259	S347	276
2523-W	26	25215	374	25305	380	25475	125	S059-40	264	S142	305	S200	259	S348	277
2524	29	25216	374	25306	371	25476	125	S060	349	S143	319	S201	259	S349	277
2524-W	29	25220	62	25307	371	25477	320	S061	349	S144	319	S202	259	S350	275
2525	30	25221	62	25308	371	25478	320	S065-	260	S145	319	S203	259	S351	275
2525-W	30	25222	62	25309	377	25479	45	S066-	260	S146	319	S204	297	DAB342	291
2526	30	25223	62	25310	377	25480	45	S068	393	S148	347	S205	297	DAB344	295
2527	34	25224	62	25311	377	25481	141	S069	393	S149	347	S206	297	DAW342	291
2528	37	25225	62	25312	379	25482	141	S073	312	S150	348	S207	297	DAW344	295
2529	33	25226	62	25313	379	E332	332	S074	312	S151	394	S208	297	DFB342	291
2529-W	33	25227	62	25314	379	E333	332	S075	312	S152	394	S209	299	DFB344	295
2530	36	25228	63	25338	480	E333-4-BOX	332	S076	312	S153	396	S210	299	DFBR342	291
2531	34	25229	63	25339	481	S001	389	S077	318	S154	396	S211	299	DFG342	291
25115	51	25230	63	25352	124	S002	389	S078	318	S155	396	S212	299	DFG344	295
25116	51	25231	63	25353	124	S007	351	S084	331	S156	408	S213	299	DFN342	291
25117	51	25232	63	25354	122	S008	351	S085	330	S157	408	S214	372	DFW342	291
25118	48	25233	63	25355	122	S009	350	S086	330	S158	408	S215	372	DFW344	295
25119	52	25234	63	25356	122	S010	350	S086-B	330	S159	400	S216	383	HNCMB	338
25120	52	25235	63	25357	122	S011	350	S095	308	S160	400	S217	383	LNS 20 183	310
25121	52	25240	74	25361	320	S012	350	S096	309	S161	400	S218	383	LNS197	259
25122	55	25241	74	25362	320	S013	351	S097	309	S162	340	S219	383	LNS202	259
25123	55	25242	74	25363	321	S014	351	S104	407	S162-W	340	S220	267	OPTC-S342-15D	289
25124	56	25243	74	25364	321	S019	349	S106	407	S163	348	S221	267	OPTC-S342-24D	289
25125	56	25246	66	25379	365	S020	349	S107	407	S164	348	S222	344	OPTC-S344-15D	293
25126	56	25249	77	25380	364	S025	357	S110	407	S165	342	S223	344	OPTC-S344-24D	293
25127	48	25250	77	25381	363	S027	357	S111	316	S166	342	S224	340	RFL B 158	408
25128	44	25251	72	25382	362	S029	354	S112	316	S167	342	S225	340	RFL B 181	310
25128-W	44	25252	72	25383	362	S030	357	S113	390	S168	342	S226	346	RFL B 185	310
25129	44	25253	72	25399	285	S037	267	S114	390	S169	314	S227	346	RFL G 154	396
25129-W	44	25254	72	25400	285	S038	267	S115	263	S170	314	S228	346	RFL G 181	310
25130	44	25255	69	25401	285	S039	394	S116	263	S171	314	S229	346	RFL G 185	310
25130-W	44	25256	69	25402	285	S040	394	S117	405	S172	314	S230	354	RFL125-BL	338
25131	45	25257	77	25403	285	S045	343	S118	405	S173	323	S231	354	RFL125-G	338
25132	45	25258	77	25404	287	S046	343	S119	405	S174	323	S232	256	RFL125-WH	338
25133	44	25259	78	25405	287	S047	358	S120	405	S175	322	S233	256	RFL126-BL	339
25133-W	44	25260	78	25406	287	S048	358	S121	405	S176	322	S234	257	RFL126-G	339
25134	44	25261	62	25407	287	S054	402	S122	405	S177	323	S235	257	RFL126-WH	339
25134-W	44	25262	79	25430	66	S054-15	402	S123	406	S178	323	S236	256	RFLG204	297
25135	44	25263	79	25431	66	S054-24	402	S124	406	S179	389	S237	256	RFLG209	299
25162	23	25264	79	25432	66	S054-40	402	S125	338	S180	389	S238	253	RFLNB204	297
25166	23	25264	79	25433	66	S055	402	S126	339	S181	310	S239	252	RFLNB209	299
25197	212	25285	281	25458	62	S055-15	402	S127	338	S182	310	S240	252	RFLBS342	289
25198	212	25286	281	25458-G	62	S055-24	402	S128	339	S183	310	S241	252	RFLBS344	293
25199	214	25287	281	25460	45	S055-40	402	S129	338	S184	310	S242	252	RFLGS342	289
25200	214	25288	281	25460-W	45	S056	402	S130	339	S185	311	S243	253	RFLGS344	293
25201	216	25289	281	25461	79	S056-15	402	S131	392	S186	311	S244	254	RFLNS342	289
25202	216	25290	281	25462	79	S056-24	402	S131-4K	392	S187	311	S335	324	RFLNS344	293
25203	213	25291	283	25463	79	S056-40	402	S132	392	S188	311	S336	324	RFLNS342	289
25204	213	25292	283	25464	79	S057	402	S132-4K	392	S189	329	S337	279	RFLWS344	293
25205	215	25293	283	25465	79	S057-15	402	S133	392	S190	329	S338	271	RING G	267
25206	215	25294	283	25466	79	S057-24	402	S134	392	S191	327	S339	271	RRB342	291
25207	218	25295	384	25467	79	S057-40	402	S135	392	S192	327	S340	272	RRB344	295
25208	218	25296	384	25468	79	S058	264			S193	328	S341	272	RRW342	291

RRW344	295
TRML342	291
TRML344	295
TRMLS204	297
TRMLS209	299
Z050106-B	386
Z050106-BR	386
Z10105 TR-B	347
Z10105 TR-W	347
Z12107K-B	386
Z12107K-W	386
LS02	441
LS03	441
LS04	441
LS06	448
LS08	465
LS09	465
LS12	449
LS14	464
LS15	464
LS16	465
LS17	431
LS18	431
LS19	431
LS20	432
LS21	432
LS22	432
LS23	431
LS24	431
LS25	431
LS26	432
LS27	432
LS28	432
LS29	434
LS31	435
LS32	435
LS33	434
LS34	436
LS35	436
LS36	436
LS37	436
LS38	439
LS39	424
LS40	424
LS41	424
LS42	427
LS43	427
LS44	424
LS45	424
LS46	424
LS47	427
LS48	428
LS49	428
LS50	428
LS51	428
LS52	428
LS53	440
LS54	440

LS55	442
LS56	445
LS57	452
LS58	452
LS59	453
LS60	453
LS61	463
LS62	463
LS63	462
LS64	462
LS65	462
LS66	454
LS67	454
LS68	455
LS69	455
LS70	456
LS71	456
LS72	456
LS73	457
LS74	457
LS75	458
LS76	460
LS77	466
LS78	472
LS79	477
LS80	476
AGLS79-80	476
ALM0606	452
ALM08-09	465
ALM1010	462
ALM1010-2M	455
ALM1616-2M	457
ALMLS14-15	464
ALMLS76	461
ALMLS78	473
ALS0808	463
CKLS77	468
CL0606	452
CL0808	463
CL1010	462
CL1616	456
CLS66-69	454
CLS76	461
CLS77	466
CLS78	473
CLS79-80	476
CON08	446
CON10	446
CORN08	446
CORN10	446
ECLS0606	452
ECLS0808	463
ECLS08-09	465
ECLS1010	462
ECLS14-15	464
ECLS1616	456
ECLS66-69	454
ECLS76	461

ECLS77	466
ECLS78	473
ECLS79-80	477
FBLS78	473
FBLS79-80	477
FBPLS78	473
FC08	446
FC10	446
FCLS14-15	464
SCLS14-15	464
FED08	446
FED10	446
FKLS78	473
FKLS79-80	477
FPL0808	463
FPL1616	457
FPLS14-15	464
FPLS66-69	455
FPLS78	473
FPLS79-80	476
FSL78	473
FSL79-80	477
LKLS77	468
PKLS77	469
AC-MS-150	487
CN5092715	482
CN5092724	482
CN5093015	482
CN5093024	482
CN5093040	482
CN5094015	482
CN5094024	482
CN5094040	482
CN3592736	483
CN3593036	483
CN3594036	483
D-EG-5	297
D-EG-9	299
D-EG-10	372
D-iT FIT7	316
D-KE-9	299
D-KE-10	372
D-OTE-18	489
D-OT FIT8	484
EG-5-D	383
FLS12D	485
FLS21	484
FLS42	484
FLS42D	485
KEDH012	326
KGP7	484
KGP-10D	485
LS-3-700	310
LS-6-150	302
Xi24-60D	487
Xi24-100D	487
Xi24-200D	487

XLG-200	486
Z89100VND	488
Z89200VND	488
28003210	484
4052899465916	488
4062172151252	485
4062172274302	487
4062172227735	485
4052899605503	486
4052899605527	486
4052899605541	486
4052899605565	486
4062172333467	486
6937186115232	488
6977078993838	488
6977770430235	484
87500283	489
87500284	489
89800255	489
89800256	489
89800257	489
31-	240
32-	243
33-	244
34-	247
51-	232
52-	235
53-	236
54-	239
81-	226
82-	226